



US00D976807S

(12) **United States Design Patent**
Jiang

(10) **Patent No.:** **US D976,807 S**

(45) **Date of Patent:** **** Jan. 31, 2023**

- (54) **DOOR STORAGE BOX**
- (71) Applicant: **Chaodi Jiang**, Changzhou (CN)
- (72) Inventor: **Chaodi Jiang**, Changzhou (CN)
- (73) Assignee: **Chaodi Jiang**, Changzhou (CN)
- (**) Term: **15 Years**
- (21) Appl. No.: **29/842,658**
- (22) Filed: **Jun. 15, 2022**
- (51) **LOC (14) Cl.** **12-16**
- (52) **U.S. Cl.**
USPC **D12/422**
CPC **B60R 11/00** (2013.01)
- (58) **Field of Classification Search**
USPC D12/422, 425, 400, 406, 415-420, 424,
D12/426
CPC B60R 11/00; B60R 7/046; B60R 13/0275;
B60R 2011/0075; B60R 2011/0061;
B60R 2011/0059; B60R 2011/0021;
B60R 13/0243
See application file for complete search history.

D556,109	S *	11/2007	Elwell	D12/195
8,162,189	B2 *	4/2012	Robins	B60N 2/6009 297/182
D690,938	S *	10/2013	Willows	D3/303
D691,804	S *	10/2013	Wang	D3/294
D692,665	S *	11/2013	Willows	D3/303
D741,248	S *	10/2015	Boss	D12/422
D771,547	S *	11/2016	Sandys	D12/422
D867,970	S *	11/2019	Yang	D12/423
D875,027	S	2/2020	Ma et al.	
D875,029	S *	2/2020	Ma	D12/422
D899,333	S *	10/2020	Shedlarski	D12/195
D915,771	S *	4/2021	Xin	D3/304
D916,637	S *	4/2021	Tian	D12/195
D957,310	S *	7/2022	Lin	D12/425
D959,356	S *	8/2022	Chen	D12/425
D960,074	S *	8/2022	Pan	D12/422
D963,549	S *	9/2022	Li	D12/425
D964,257	S *	9/2022	Chen	D12/422
D967,749	S *	10/2022	Tian	D12/422
2002/0185888	A1 *	12/2002	Jonardi	B60R 11/00 224/543
2005/0218170	A1 *	10/2005	Allmond	B60R 7/046 224/543

(Continued)

Primary Examiner — Richard E Chilcot
(74) *Attorney, Agent, or Firm* — Nitin Kaushik

(57) **CLAIM**

The ornamental design for a door storage box, as shown and described.

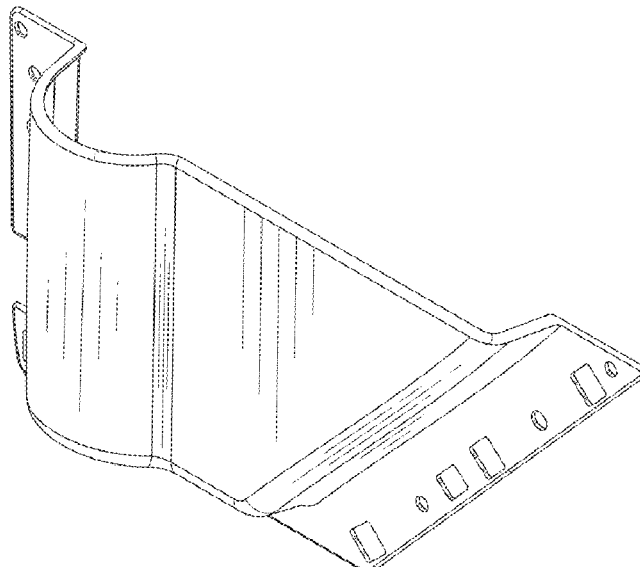
DESCRIPTION

FIG. 1 is a front perspective view of a door storage box, showing my new design;
FIG. 2 is a front view thereof;
FIG. 3 is a rear view thereof;
FIG. 4 is a left side view thereof;
FIG. 5 is a right side view thereof;
FIG. 6 is a top view thereof; and,
FIG. 7 is a bottom view thereof.

1 Claim, 7 Drawing Sheets

(56) **References Cited**
U.S. PATENT DOCUMENTS

D202,983	S *	11/1965	Allen	D12/422
D313,695	S *	1/1991	Mawhinney	D2/864
D318,949	S *	8/1991	Mawhinney	D12/422
D441,341	S *	5/2001	Hassett	D12/416
D451,882	S *	12/2001	Hassett	D12/416
D467,079	S *	12/2002	Willows	D3/301
D492,187	S *	6/2004	Mottini	D8/354
D494,534	S *	8/2004	Hassett	D12/416
6,880,874	B1 *	4/2005	Kallenberger	B60R 7/046 296/37.13
D507,959	S *	8/2005	Mottini	D8/354
D548,156	S *	8/2007	Elwell	D12/195
D552,022	S *	10/2007	Elwell	D12/195



(56)

References Cited

U.S. PATENT DOCUMENTS

2005/0284907	A1*	12/2005	Kaiser	B60R 11/00 224/543
2006/0012205	A1*	1/2006	Radu	B60R 7/046 296/37.13
2006/0062006	A1*	3/2006	Radu	B60R 7/046 362/154
2018/0154744	A1*	6/2018	Hashiguchi	B60R 7/046
2021/0323481	A1*	10/2021	Bhakta	B60R 7/04

* cited by examiner

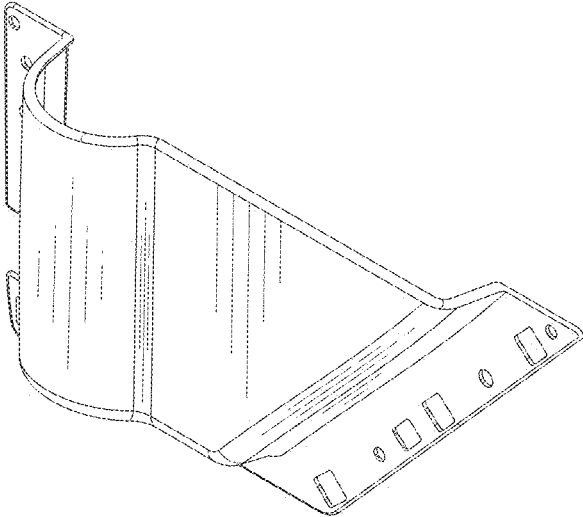


FIG. 1

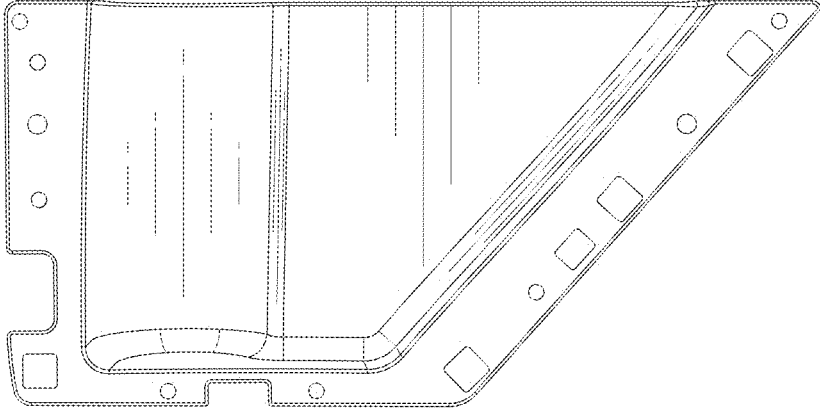


FIG. 2

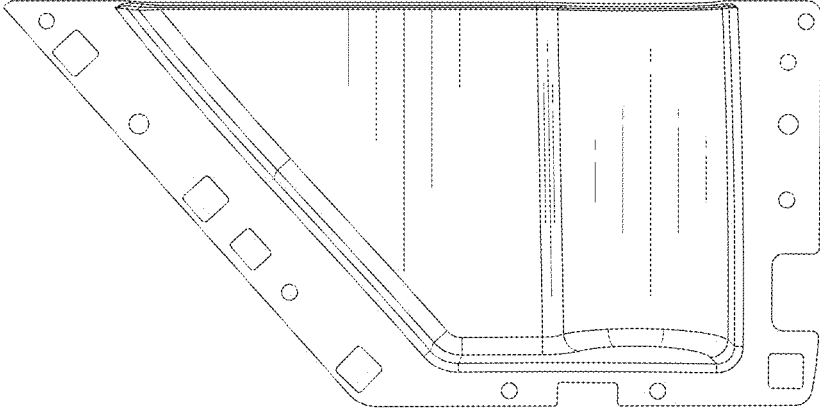


FIG. 3

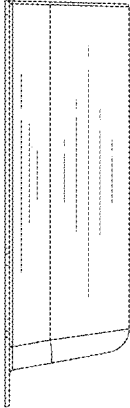


FIG. 4

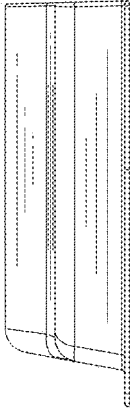


FIG. 5

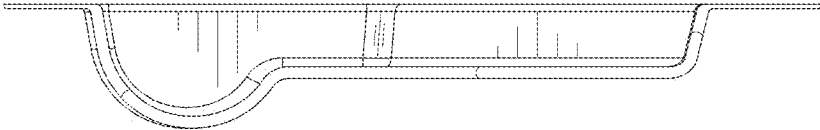


FIG. 6

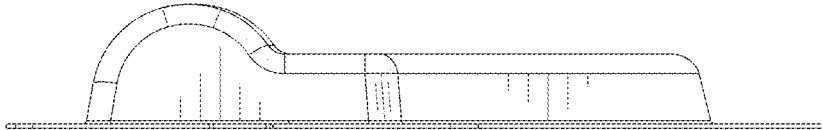


FIG. 7