

[54] WALL MOUNTED RACK

[58] Field of Search D6/300, 308, 314, 310, D6/419, 420, 429-431, 444, 446, 448, 450-451, 470, 509-512, 523-524, 528, 531, 535, 522, 546, 549, 583, 555, 559-563, 566-574; D8/373; 108/25, 26.2, 29-30, 42, 59, 137-138, 144, 151-152; 211/26, 60.1, 70.1, 70.6, 70.8, 72, 73, 75, 87-90, 112, 126, 134, 135, 153; 312/224-226, 245

[76] Inventor: Keith J. Beverly, c/o Beverly Coat Hanger Co., Inc., 1215 Fairfax Ave., San Francisco, Calif. 94124

[56] References Cited

U.S. PATENT DOCUMENTS

D. 105,885 8/1937 McDonald D6/566
D. 214,923 8/1969 Schier D6/566

[**] Term: 14 Years

Primary Examiner—B. J. Bullock
Assistant Examiner—Suzanne N. Gitlin
Attorney, Agent, or Firm—Poms, Smith, Lande & Rose

[21] Appl. No.: 525,013

[57] CLAIM

The ornamental design for a wall mounted rack, as shown.

DESCRIPTION

[22] Filed: Aug. 22, 1983

[52] U.S. Cl. D6/566; D6/553; D6/567; D6/574

FIG. 1 is a front perspective view of a wall mounted rack showing my new design; and FIG. 2 is a rear perspective view thereof.

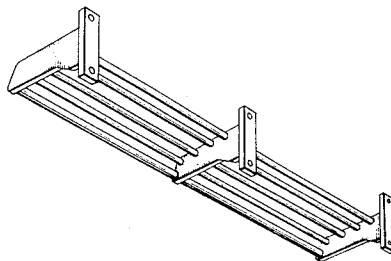
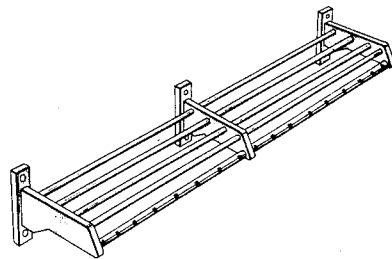


Fig. 1.

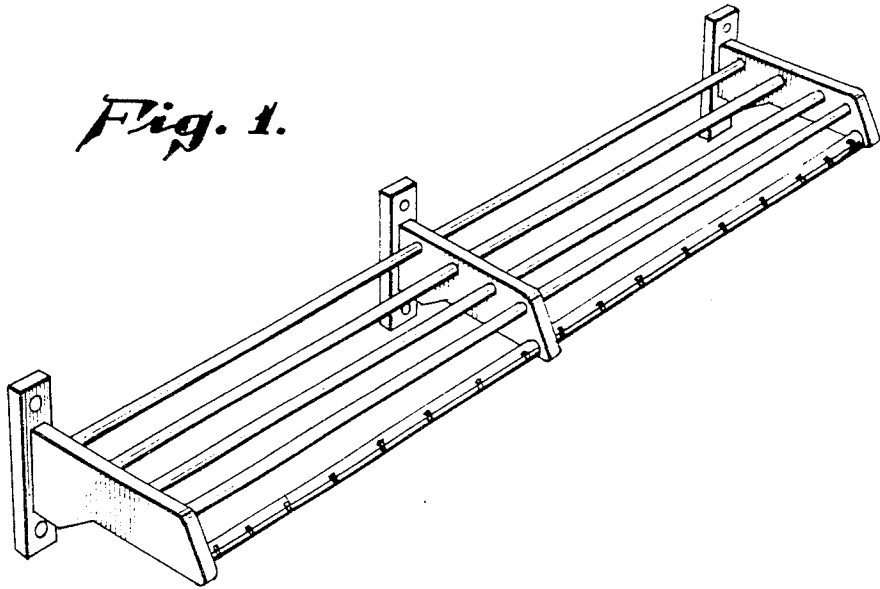


Fig. 2.

