



US00D658451S

(12) **United States Design Patent**  
**Jost**

(10) **Patent No.:** **US D658,451 S**

(45) **Date of Patent:** **\*\* May 1, 2012**

(54) **ROTATABLE COASTER**

(75) Inventor: **David E. Jost**, Berkeley, CA (US)

(73) Assignee: **Kikkerland Design Inc.**, New York, NY (US)

(\*\*) Term: **14 Years**

(21) Appl. No.: **29/400,546**

(22) Filed: **Aug. 30, 2011**

(51) **LOC (9) Cl.** ..... **07-06**

(52) **U.S. Cl.** ..... **D7/624.1**

(58) **Field of Classification Search** ..... D7/619.1-625;  
248/346.11; 211/74, 71.01, 75, 78  
See application file for complete search history.

(56) **References Cited**

**U.S. PATENT DOCUMENTS**

2,004,166	A *	6/1935	Low	.....	248/346.11
4,759,525	A *	7/1988	Cross et al.	.....	248/346.11
4,836,488	A *	6/1989	Ross	.....	248/346.11
4,858,872	A *	8/1989	Witt	.....	248/346.11
4,978,566	A *	12/1990	Scheurer et al.	.....	248/346.11

D357,388	S *	4/1995	Gaffin	.....	D7/625
D371,276	S *	7/1996	Laib	.....	D7/388
5,775,659	A *	7/1998	Hartlaub et al.	.....	248/346.11
D439,805	S *	4/2001	Krohn	.....	D7/624.1
D513,940	S *	1/2006	Kolflat	.....	D7/624.1
D537,299	S *	2/2007	Mason	.....	D7/624.1

\* cited by examiner

*Primary Examiner* — Terry Wallace

(74) *Attorney, Agent, or Firm* — Cascio & Zervas

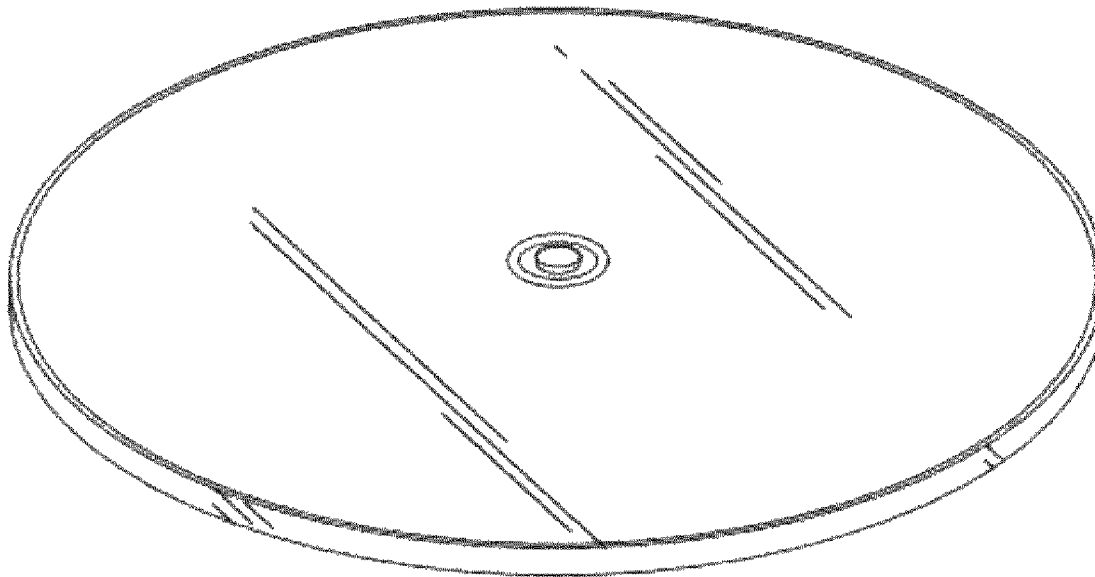
(57) **CLAIM**

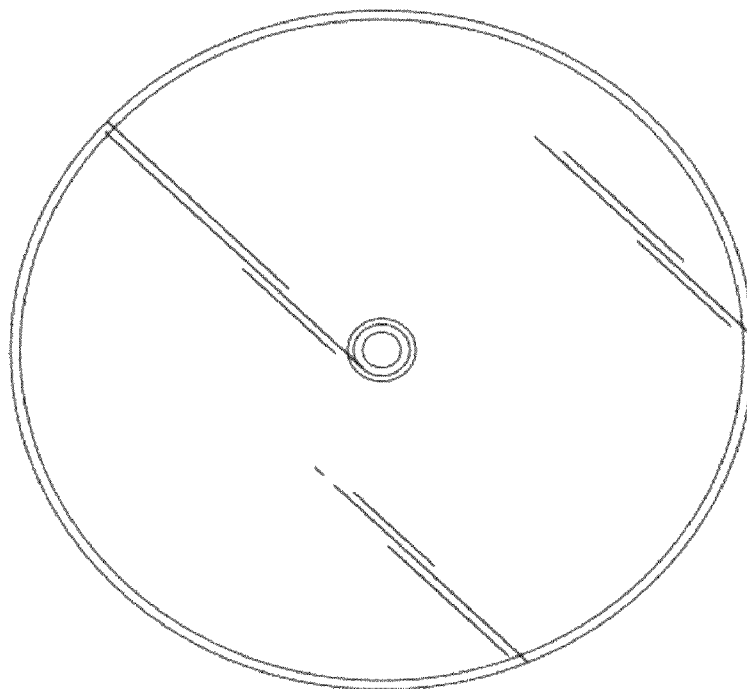
The ornamental design for a rotatable coaster, as shown and described.

**DESCRIPTION**

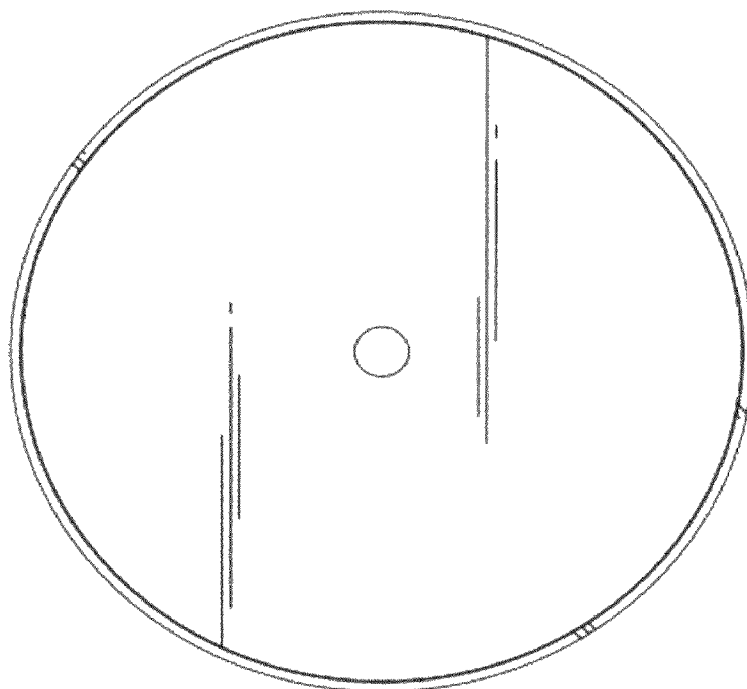
FIG. 1 is a top plan view of the rotatable coaster showing my design;  
FIG. 2 is a bottom plan view thereof;  
FIG. 3 is a front elevational view thereof;  
FIG. 4 is a rear elevational view thereof;  
FIG. 5 is a right side elevational view thereof;  
FIG. 6 is a left side elevational view thereof; and,  
FIG. 7 is a front perspective view thereof.

**1 Claim, 3 Drawing Sheets**





**FIG. 1**



**FIG. 2**



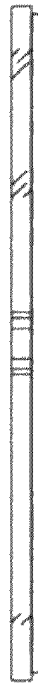
**FIG. 3**



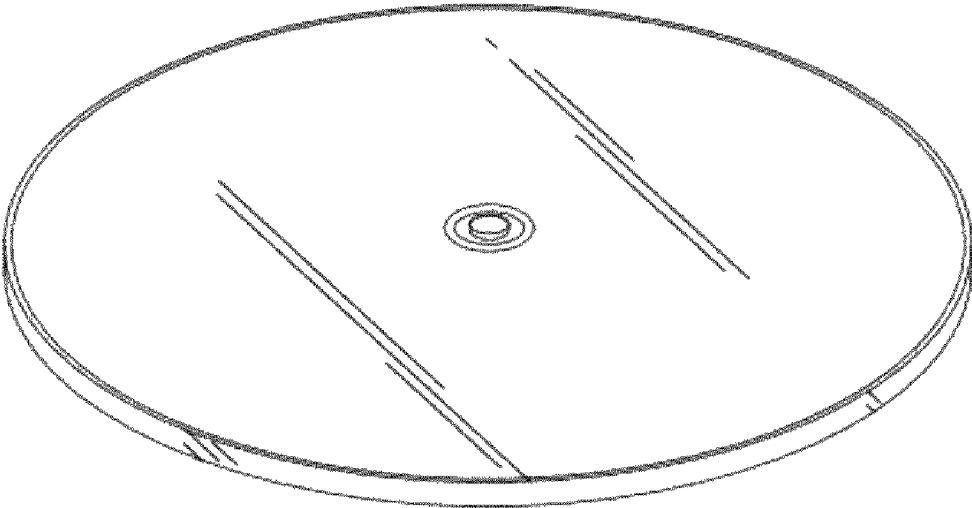
**FIG. 4**



**FIG. 5**



**FIG. 6**



**FIG. 7**