



US00D831795S

(12) **United States Design Patent**
Schluter

(10) **Patent No.:** **US D831,795 S**

(45) **Date of Patent:** **** Oct. 23, 2018**

(54) **DRAIN GATE**
(71) Applicant: **Schluter Systems L.P.**, Plattsburgh, NY (US)
(72) Inventor: **Werner Schluter**, Plattsburgh, NY (US)
(73) Assignee: **Schluter Systems L.P.**, Plattsburgh, NY (US)
(**) Term: **15 Years**
(21) Appl. No.: **29/610,011**

3,406,829 A * 10/1968 Vande Bosche E03F 5/0407
210/164
D274,210 S 6/1984 Haggard
D282,003 S 12/1985 Wermuth
4,592,165 A 6/1986 Sisk
D285,406 S 9/1986 Haggard
D291,049 S 7/1987 Haggard
5,130,016 A 7/1992 Gavin
D428,120 S * 7/2000 Zaldivar D23/261
D492,425 S 6/2004 Johnson
D562,995 S * 2/2008 Diamond D25/155
D575,881 S 8/2008 Diamond
(Continued)

(22) Filed: **Jul. 7, 2017**
(51) **LOC (11) Cl.** **23-01**
(52) **U.S. Cl.**
USPC **D23/261**
(58) **Field of Classification Search**
USPC D23/259-261, 267-268, 388, 397, 400,
D23/406; 404/2-4; 210/163-164, 166;
454/275-277, 284, 289, 291; 4/613, 287,
4/679, 680-684, 689-694, 671-673
CPC E03C 1/12; E03C 1/20; E03C 1/23; E03C
1/26; E03C 1/262; E03C 1/284; E03C
1/2302; E03C 1/2306; E03C 1/2001;
E03C 1/2413; E03C 2001/2413; E03F
5/0408; E03F 5/06; E03F 5/00407; E03F
5/052; A47K 1/14; A47K 3/405; A47K
3/40

See application file for complete search history.

(56) **References Cited**

U.S. PATENT DOCUMENTS

530,816 A * 12/1894 Wright E02D 29/12
210/247
882,877 A * 3/1908 Durkee B63B 19/14
114/174
3,032,062 A * 5/1962 Blahnik E03D 11/00
137/593
3,221,616 A * 12/1965 Flegel E03F 5/046
49/464

OTHER PUBLICATIONS

Kerdi-Drain-Style & Kerdi-Line-Style, https://www.schluter.com/schluter-us/en_US/kerdi-drain-line-style, Copyright 2017, [Visited Online Jun. 11, 2018].*

(Continued)

Primary Examiner — Eric L Goodman
Assistant Examiner — Amy C Wierenga
(74) *Attorney, Agent, or Firm* — Thorpe North Western, LLP

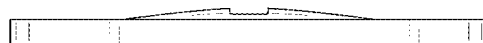
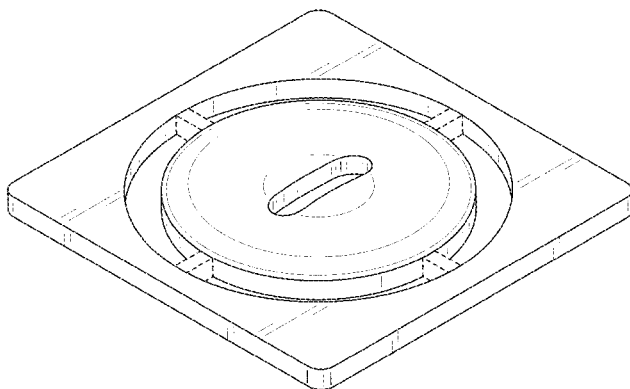
(57) **CLAIM**

The ornamental design for a drain grate, as shown and described.

DESCRIPTION

FIG. 1 is a perspective view of a drain grate embodying my new design;
FIG. 2 is a top view thereof;
FIG. 3 is a side view thereof, the opposing side view being a mirror image thereof; and,
FIG. 4 is a side view thereof, the opposing side view being a mirror image thereof.
The broken lines shown in the figures depict portions of the drain grate that form no part of the claim.

1 Claim, 3 Drawing Sheets



(56)

References Cited

U.S. PATENT DOCUMENTS

D602,575 S *	10/2009	Breda	D23/261
8,060,956 B2 *	11/2011	DeGooyer	E03C 1/20 4/613
D672,439 S	12/2012	Heiser et al.	
D687,526 S	8/2013	Heiser	
D689,989 S	9/2013	Vessels et al.	
D689,990 S	9/2013	Vessels et al.	
D689,991 S	9/2013	Vessels et al.	
D689,992 S	9/2013	Vessels et al.	
D694,863 S	12/2013	Brodey et al.	
D701,293 S	3/2014	Mjelde	
D708,304 S	7/2014	Brodey et al.	
D718,844 S	12/2014	Johansen	
D736,354 S	8/2015	Lucas	
D775,320 S	12/2016	Lucas	
2008/0271232 A1	11/2008	Self	

OTHER PUBLICATIONS

TileLetter, Sleek New Schluter Shower Grates Enhance Bathroom Design, <http://tileletter.com/2018/01/sleek-new-schluter-shower-grates-enhance-bathroom-design/> Published Jan. 17, 2018, [Visited Online Jun. 20, 2018].*

* cited by examiner

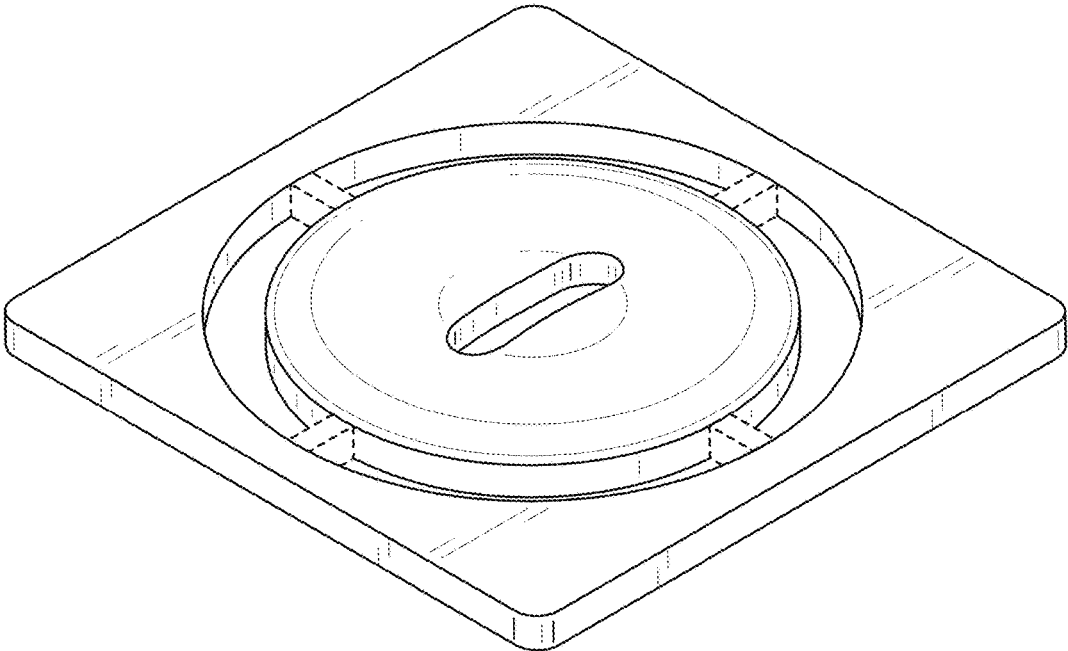


FIG. 1

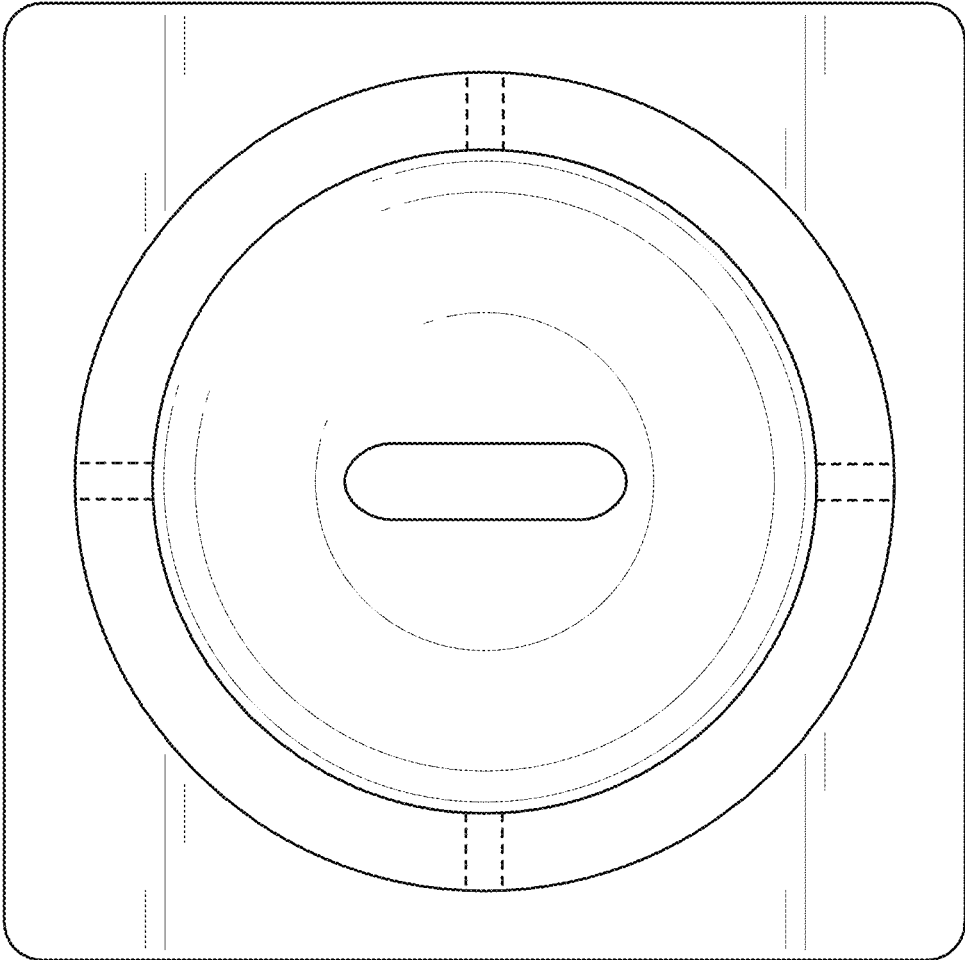


FIG. 2

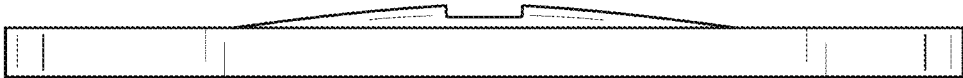


FIG. 3



FIG. 4