



US00D735320S

(12) **United States Design Patent**
Marshall

(10) **Patent No.:** **US D735,320 S**

(45) **Date of Patent:** **** Jul. 28, 2015**

- (54) **ENTERAL FEEDING PUMP CASSETTE**
- (71) Applicant: **Zevox, Inc.**, Salt Lake City, UT (US)
- (72) Inventor: **Michael Marshall**, Herriman, UT (US)
- (73) Assignee: **ZEVEX, INC.**, Salt Lake City, UT (US)
- (**) Term: **14 Years**
- (21) Appl. No.: **29/475,167**
- (22) Filed: **Nov. 30, 2013**
- (51) **LOC (10) Cl.** **24-02**
- (52) **U.S. Cl.**
USPC **D24/111**
- (58) **Field of Classification Search**
USPC D24/107, 111, 127, 185, 186, 232
CPC A61M 2205/702; A61M 2202/0482;
A61M 5/14232; A61M 5/142; A61M 2205/12;
A61M 2205/121
See application file for complete search history.

D507,647 S	7/2005	Beck et al.	
D513,320 S *	12/2005	Stubkjaer	D24/111
D523,553 S	6/2006	Beck et al.	
D536,783 S	2/2007	Cise et al.	
7,934,912 B2 *	5/2011	Voltenburg et al.	417/477.2
8,062,008 B2 *	11/2011	Voltenburg et al.	417/477.2
D672,455 S	12/2012	Beck	
8,377,000 B2 *	2/2013	Pfouts	604/151
8,377,001 B2 *	2/2013	Pfouts et al.	604/151
8,425,470 B2	4/2013	Beck et al.	
8,491,285 B2 *	7/2013	Haser et al.	417/477.2

* cited by examiner

Primary Examiner — Deanna L Pratt

Assistant Examiner — Lilyana Bekic

(74) *Attorney, Agent, or Firm* — Hodgson Russ LLP

(57) **CLAIM**

The ornamental design for an enteral feeding pump cassette, as shown and described.

DESCRIPTION

FIG. 1 is a perspective view of an enteral feeding pump cassette showing my new design;
 FIG. 2 is another perspective view thereof;
 FIG. 3 is a top view thereof;
 FIG. 4 is a bottom view thereof;
 FIG. 5 is a right side view thereof;
 FIG. 6 is a left side view thereof
 FIG. 7 is a front view thereof; and,
 FIG. 8 is a rear view thereof.

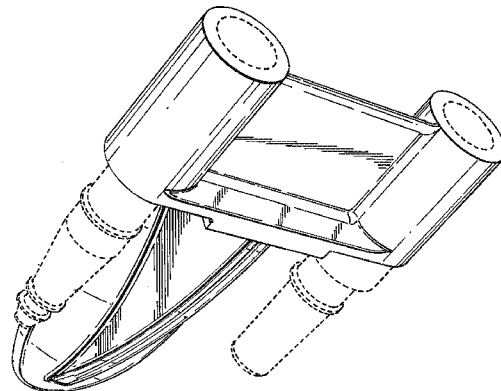
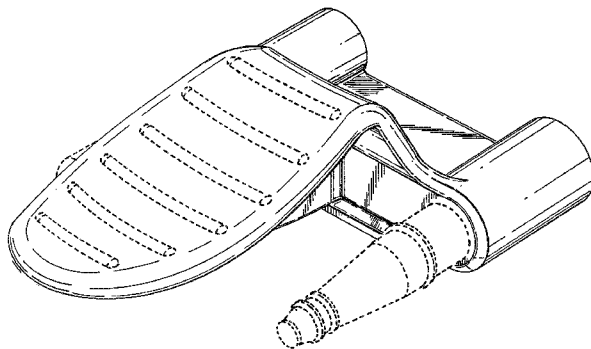
The broken lines in the drawings illustrate portions of the enteral feeding pump cassette which form no part of the claimed design.

1 Claim, 3 Drawing Sheets

(56) **References Cited**

U.S. PATENT DOCUMENTS

D305,150 S *	12/1989	Pastrone	D24/111
D370,727 S *	6/1996	Atkinson et al.	D24/111
D455,489 S	4/2002	Beck et al.	
6,494,694 B2 *	12/2002	Lawless et al.	417/479
6,523,414 B1 *	2/2003	Malmstrom et al.	73/705
D476,414 S *	6/2003	Buck et al.	D24/111
6,659,976 B2 *	12/2003	Beck et al.	604/67
D501,924 S	2/2005	Cise et al.	
D504,506 S	4/2005	Beck et al.	
D504,507 S *	4/2005	Ziegler et al.	D24/111
D505,199 S	5/2005	Beck et al.	



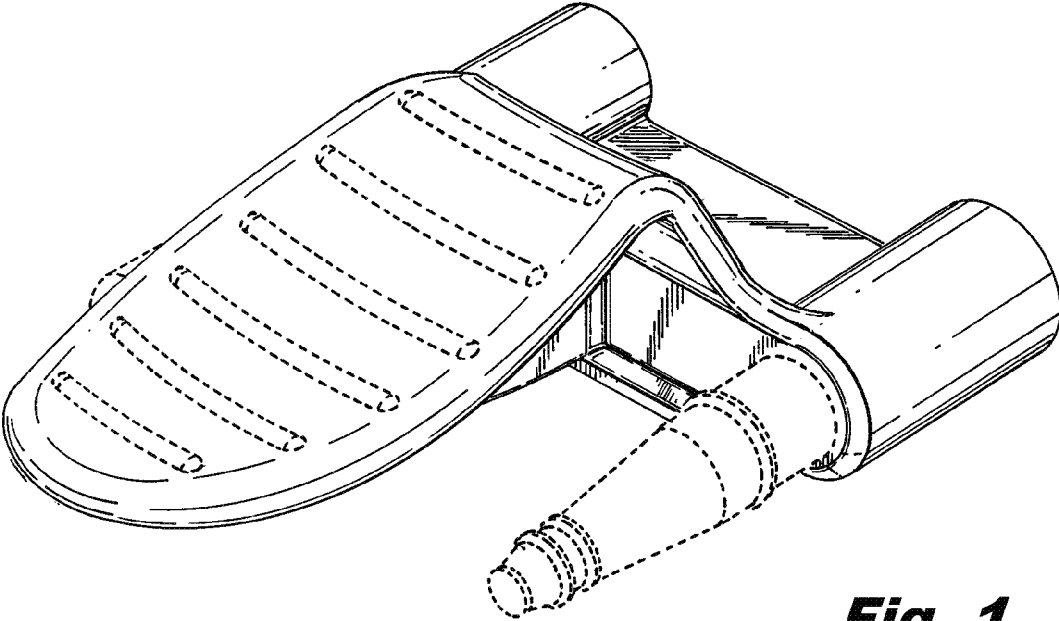


Fig. 1

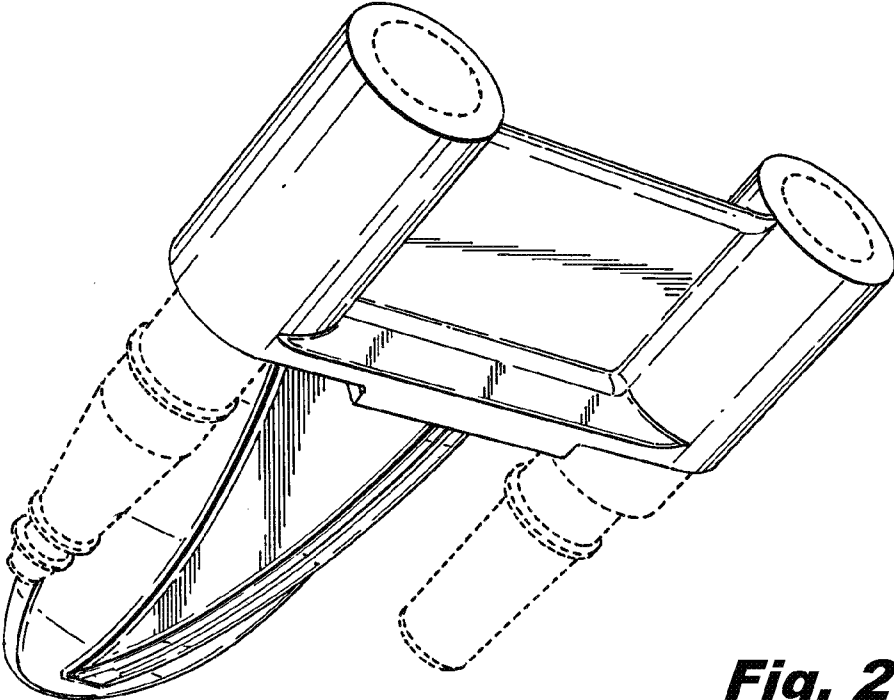


Fig. 2

Fig. 3

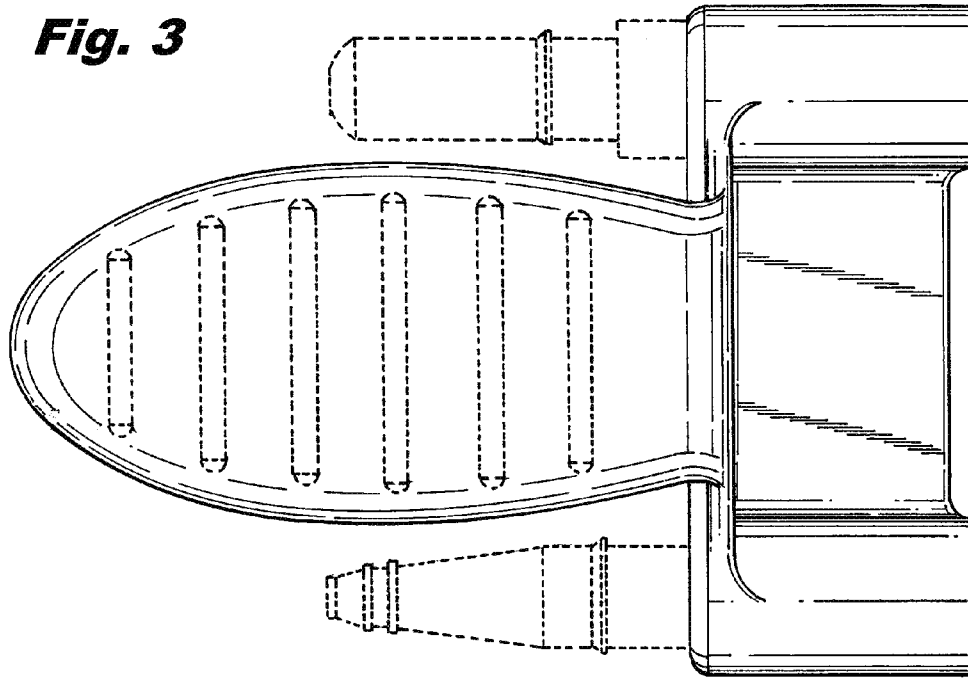


Fig. 4

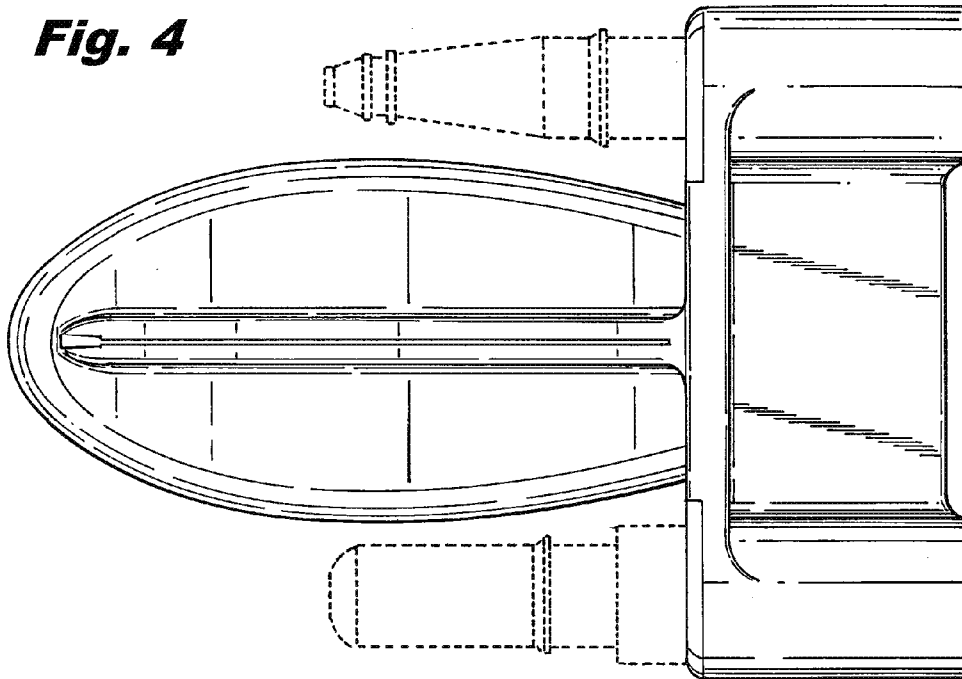


Fig. 5

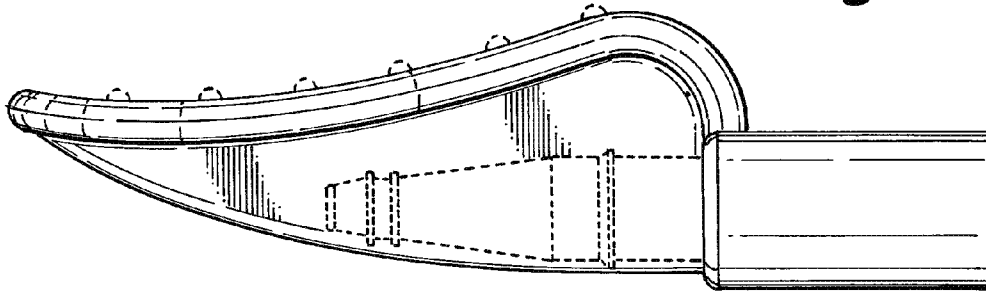


Fig. 6

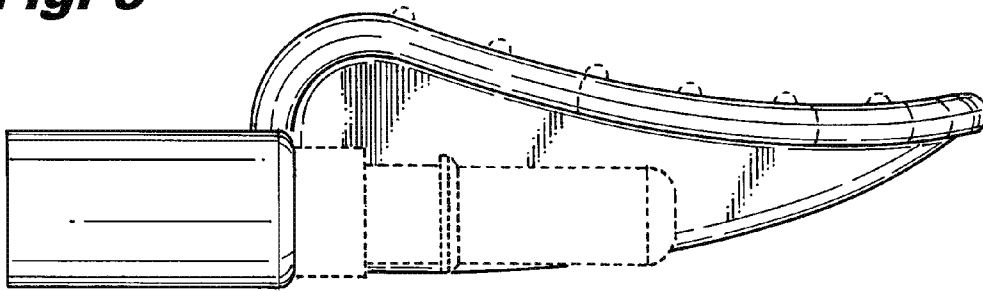


Fig. 7

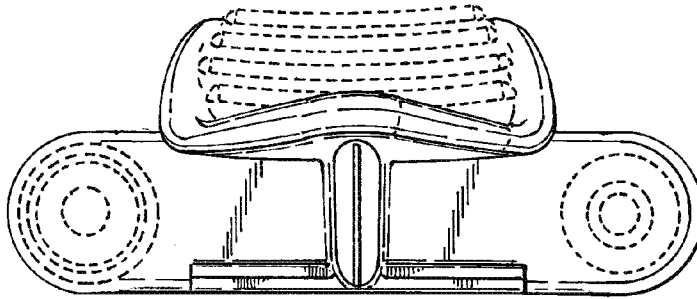


Fig. 8

