

(19) World Intellectual Property  
Organization  
International Bureau



(43) International Publication Date  
11 August 2005 (11.08.2005)

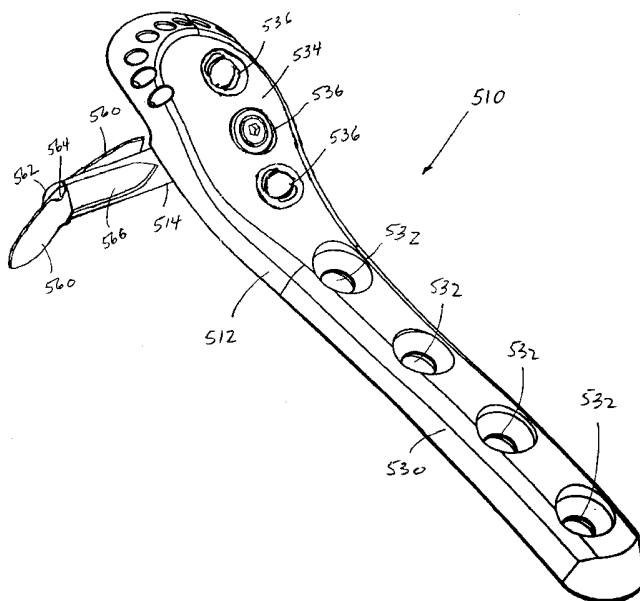
PCT

(10) International Publication Number  
**WO 2005/072284 A3**

- (51) International Patent Classification<sup>7</sup>: **A61B 17/80**
- (21) International Application Number:  
PCT/US2005/002074
- (22) International Filing Date: 21 January 2005 (21.01.2005)
- (25) Filing Language: English
- (26) Publication Language: English
- (30) Priority Data:  
60/538,589 23 January 2004 (23.01.2004) US  
60/546,127 20 February 2004 (20.02.2004) US  
60/598,110 2 August 2004 (02.08.2004) US  
60/643,432 7 January 2005 (07.01.2005) US
- (71) Applicant (for all designated States except US): **HAND INNOVATIONS, LLC** [US/US]; 8905 S.W. 87th Avenue, Miami, FL 33176 (US).
- (72) Inventors: **ORBAY, Jorge, L.**; 390 Campana Avenue, Miami, FL 33156 (US). **CASTANEDA, Javier, E.**; 9520 SW 117th Court, Miami, FL 33186 (US). **CAVALLAZZI, Cesare**; 4425 SW 160 Avenue, Unit 105, Miramar, FL 33027 (US).
- (74) Agents: **GORDON, David, P.** et al.; Gordon & Jacobson, P.C., Suite 407, 60 Long Ridge Road, Stamford, CT 06905 (US).
- (81) Designated States (unless otherwise indicated, for every kind of national protection available): AE, AG, AL, AM, AT, AU, AZ, BA, BB, BG, BR, BW, BY, BZ, CA, CH, CN, CO, CR, CU, CZ, DE, DK, DM, DZ, EC, EE, EG, ES, FI, GB, GD, GE, GH, GM, HR, HU, ID, IL, IN, IS, JP, KE, KG, KP, KR, KZ, LC, LK, LR, LS, LT, LU, LV, MA, MD, MG, MK, MN, MW, MX, MZ, NA, NI, NO, NZ, OM, PG, PH, PL, PT, RO, RU, SC, SD, SE, SG, SK, SL, SM, SY, TJ, TM, TN, TR, TT, TZ, UA, UG, US, UZ, VC, VN, YU, ZA, ZM, ZW.
- (84) Designated States (unless otherwise indicated, for every kind of regional protection available): ARIPO (BW, GH, GM, KE, LS, MW, MZ, NA, SD, SL, SZ, TZ, UG, ZM, ZW), Eurasian (AM, AZ, BY, KG, KZ, MD, RU, TJ, TM), European (AT, BE, BG, CH, CY, CZ, DE, DK, EE, ES, FI, FR, GB, GR, HU, IE, IS, IT, LT, LU, MC, NL, PL, PT, RO, SE, SI, SK, TR), OAPI (BF, BJ, CF, CG, CI, CM, GA, GN, GQ, GW, ML, MR, NE, SN, TD, TG).

[Continued on next page]

(54) Title: SYSTEM FOR STABILIZATION OF FRACTURES OF CONVEX ARTICULAR BONE SURFACES INCLUDING SUBCHONDRAL SUPPORT STRUCTURE



(57) Abstract: A fracture fixation system is provided for a fracture of a head portion of a long bone which has subchondral bone defining a convex articular surface, and particularly the proximal humerus. The system includes a plate element positionable on the long bone substantially opposite the head portion of the long bone and on a first side of the fracture, and a post element extending from the plate and into the head portion and across the fracture.

WO 2005/072284 A3



**Published:**

- *with international search report*
- *before the expiration of the time limit for amending the claims and to be republished in the event of receipt of amendments*

*For two-letter codes and other abbreviations, refer to the "Guidance Notes on Codes and Abbreviations" appearing at the beginning of each regular issue of the PCT Gazette.*

**(88) Date of publication of the international search report:**

10 November 2005

**INTERNATIONAL SEARCH REPORT**

International application No.

PCT/US05/02074

**A. CLASSIFICATION OF SUBJECT MATTER**

IPC(7) : A61B 17/80  
 US CL : 606/69

According to International Patent Classification (IPC) or to both national classification and IPC

**B. FIELDS SEARCHED**

Minimum documentation searched (classification system followed by classification symbols)  
 U.S. : 606/60, 65-72

Documentation searched other than minimum documentation to the extent that such documents are included in the fields searched

Electronic data base consulted during the international search (name of data base and, where practicable, search terms used)

**C. DOCUMENTS CONSIDERED TO BE RELEVANT**

Category *	Citation of document, with indication, where appropriate, of the relevant passages	Relevant to claim No.
X	US 3,791,380 A (DAWIDOWSKI) 12 February 1974, Fig. 1.	1-5
X	US 5,514,138 A (MCCARTHY) 07 May 1996, Fig. 1.	7,13
X	US 5,324,291 A (RIES et al) 28 June 1994, Fig. 9.	8-11
X	US 5,197,966 A (SOMMERKAMP) 30 March 1993, Fig. 1.	14,15
X	US 6,379,359 A (DAHNER) 30 April 2002, Fig. 4A and col. 6, lines 1-6.	17, 18

Further documents are listed in the continuation of Box C.

See patent family annex.

* Special categories of cited documents:	
"A" document defining the general state of the art which is not considered to be of particular relevance	"T" later document published after the international filing date or priority date and not in conflict with the application but cited to understand the principle or theory underlying the invention
"E" earlier application or patent published on or after the international filing date	"X" document of particular relevance; the claimed invention cannot be considered novel or cannot be considered to involve an inventive step when the document is taken alone
"L" document which may throw doubts on priority claim(s) or which is cited to establish the publication date of another citation or other special reason (as specified)	"Y" document of particular relevance; the claimed invention cannot be considered to involve an inventive step when the document is combined with one or more other such documents, such combination being obvious to a person skilled in the art
"O" document referring to an oral disclosure, use, exhibition or other means	"&" document member of the same patent family
"P" document published prior to the international filing date but later than the priority date claimed	

Date of the actual completion of the international search

Date of mailing of the international search report

02 August 2005 (02.08.2005)

**08 SEP 2005**

Name and mailing address of the ISA/US  
 Mail Stop PCT, Attn: ISA/US  
 Commissioner for Patents  
 P.O. Box 1450  
 Alexandria, Virginia 22313-1450  
 Facsimile No. (703) 305-3230

Authorized officer  
 David O. Reip  
 Telephone No. 571-272-3700

*David O. Reip*  
*Lee*