



US00D738531S

(12) **United States Design Patent**
Pruente

(10) **Patent No.:** **US D738,531 S**

(45) **Date of Patent:** **** Sep. 8, 2015**

- (54) **WALK THROUGH GATE**
- (71) Applicant: **Shane C. Prunte**, Scranton, KS (US)
- (72) Inventor: **Shane C. Prunte**, Scranton, KS (US)
- (**) Term: **14 Years**
- (21) Appl. No.: **29/477,261**
- (22) Filed: **Dec. 20, 2013**
- (51) **LOC (10) Cl.** **25-01**
- (52) **U.S. Cl.**
USPC **D25/39; D25/48.5**
- (58) **Field of Classification Search**
USPC D25/48.5, 48.8, 38.1, 39-44, 48.1;
256/73, 10, 21, 59-65.01, 65.02, 65.1,
256/65.11-65.16, 24-26, 1, 22; D6/332;
49/49-60, 380-403, 463-465, 190,
49/191, 326, 410, 169; 160/218-227,
160/229.1; 119/501, 502, 506, 510, 512,
119/514, 422-424, 503, 507, 524, 522, 523,
119/474, 752, 840-841; D30/199, 119,
D30/114; 292/196, 198, 253, 302; 16/366
CPC . A01K 1/0017; A01K 1/0005; A01K 1/0023;
A01K 1/0029; A01K 1/0613; A01K 1/0209;
A01K 3/00; E05Y 2900/40; E05Y 2900/402;
E05Y 2900/404; E04H 17/18; E06B 11/00;
E06B 11/02; E06B 11/04; E06B 11/06
See application file for complete search history.

D89,254	S	*	2/1933	Burge	D25/48.5
2,504,214	A	*	4/1950	Miller et al.	119/840
2,572,171	A	*	10/1951	McCullough	49/191
2,668,381	A	*	2/1954	Ferris	49/301
2,770,482	A	*	11/1956	Kusiek	292/246
2,904,001	A	*	9/1959	Ferris	119/14.03
2,938,711	A	*	5/1960	Luff	
2,972,825	A	*	2/1961	Stillwell et al.	49/410
3,072,099	A	*	1/1963	Stevens	119/840
3,370,835	A	*	2/1968	Crowson	256/26
3,543,723	A	*	12/1970	Van Gilst	119/521
3,626,903	A	*	12/1971	Van Gilst	119/502
3,805,742	A	*	4/1974	Shulick et al.	119/524
3,908,599	A	*	9/1975	Flocchini	119/510
D237,722	S	*	11/1975	Kratky	D25/48.5
3,929,104	A	*	12/1975	Corbin	119/734
D239,543	S	*	4/1976	Kratky	D25/48.5
D244,459	S	*	5/1977	Kratky	D25/48.5
4,129,096	A	*	12/1978	Nickel	119/521
4,145,031	A	*	3/1979	Baker, II	256/73
D254,753	S	*	4/1980	McDonald	D30/114
4,198,927	A	*	4/1980	Guiavarc'h	119/524
4,201,157	A	*	5/1980	Lambert	119/752
4,356,999	A	*	11/1982	McShane	256/26

(Continued)

Primary Examiner — Susan Moon Lee

(74) Attorney, Agent, or Firm — Dale J. Ream

(57) **CLAIM**

The ornamental design for a walk through gate, as shown and described.

DESCRIPTION

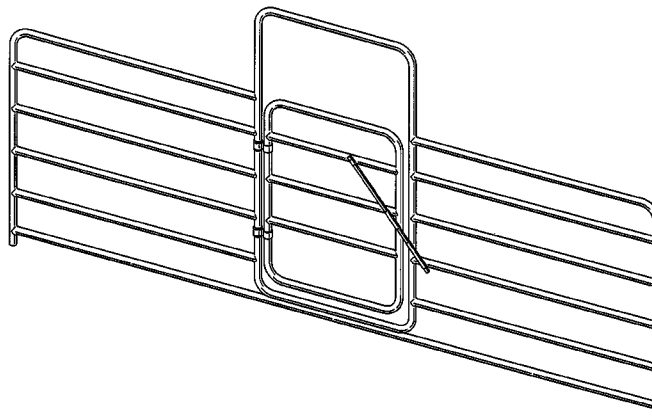
FIG. 1 is a perspective view of a walk through gate showing my new design;
 FIG. 2 is a front view thereof;
 FIG. 3 is a back view thereof;
 FIG. 4 is a left side view thereof;
 FIG. 5 is a right side view thereof;
 FIG. 6 is a top view thereof; and
 FIG. 7 is a bottom view thereof.

1 Claim, 5 Drawing Sheets

(56) **References Cited**

U.S. PATENT DOCUMENTS

315,978	A	*	4/1885	Turner	292/188
683,694	A	*	10/1901	Livingston	49/191
727,494	A	*	5/1903	Thompson	292/189
917,275	A	*	4/1909	Fasold	49/191
1,028,588	A	*	6/1912	Mitchell	49/169
1,242,757	A	*	10/1917	Anway	
1,656,127	A	*	1/1928	Sargent	256/25
1,873,493	A	*	8/1932	Scott	119/524



(56)

References Cited

U.S. PATENT DOCUMENTS

4,572,109	A *	2/1986	Nixon	119/841	6,394,027	B2 *	5/2002	Gallagher et al.	119/14.03
D284,704	S *	7/1986	Malkmus-Dornemann	D25/48.5	D472,331	S *	3/2003	Zadak	D25/48.5
D286,690	S *	11/1986	Priefert	D30/119	D474,282	S *	5/2003	Miller et al.	D25/48.5
4,628,635	A	12/1986	Maillard		6,561,493	B1 *	5/2003	Lackey, Jr.	256/73
4,821,679	A *	4/1989	Hackert	119/502	6,655,090	B2 *	12/2003	Regner	49/386
D301,621	S *	6/1989	Muntz et al.	D25/48.5	7,000,673	B2 *	2/2006	Cook	160/210
4,836,143	A *	6/1989	Shadbolt, Jr.	119/514	7,013,837	B2 *	3/2006	Chun	119/447
4,844,424	A *	7/1989	Knudslie	256/26	7,086,351	B1 *	8/2006	Michalek	119/524
4,960,074	A *	10/1990	Wilson	119/512	D538,944	S *	3/2007	Link	D25/48.5
5,042,198	A *	8/1991	Privratsky	49/248	7,246,572	B1 *	7/2007	Wade	119/516
5,050,344	A *	9/1991	Skeem	49/237	D552,751	S *	10/2007	Van Buskirk	D25/38.1
5,138,796	A *	8/1992	Grainger	49/238	7,421,977	B2 *	9/2008	Van Den Berg	119/520
5,185,972	A *	2/1993	Markiewicz	52/63	7,530,332	B2 *	5/2009	May et al.	119/502
5,201,498	A *	4/1993	Akins	256/26	7,603,965	B1 *	10/2009	Betts	119/524
5,272,840	A	12/1993	Knoedler et al.		7,637,541	B2 *	12/2009	Neseth	292/196
5,282,336	A *	2/1994	Tucker	49/21	7,743,556	B2 *	6/2010	Stoffels	49/394
5,303,900	A *	4/1994	Zulick et al.	256/65.05	D620,608	S *	7/2010	Deneyer	D25/38.1
5,533,714	A *	7/1996	St. John	256/26	D630,803	S *	1/2011	Lee et al.	D30/199
5,535,550	A	7/1996	Yang		7,975,431	B2	7/2011	Flannery	
D373,199	S *	8/1996	Vanhournout	D25/48.5	D646,399	S *	10/2011	Deneyer	D25/38.1
D381,134	S *	7/1997	Alford et al.	D30/119	8,210,128	B1 *	7/2012	Lato	119/510
5,651,333	A *	7/1997	Fisher	119/734	8,448,381	B2	5/2013	Flannery	
D392,426	S *	3/1998	DaSilveira	D30/119	9,022,359	B2 *	5/2015	McAlmond	256/73
D396,333	S *	7/1998	Alford et al.	D30/119	2002/0148411	A1 *	10/2002	Markham	119/512
5,878,692	A *	3/1999	Ornerfors	119/14.08	2005/0263093	A1 *	12/2005	Rosen	119/524
5,878,695	A *	3/1999	Gent	119/503	2006/0070582	A1 *	4/2006	Prescott	119/512
5,899,171	A *	5/1999	Abrahamson	119/512	2007/0193523	A1	8/2007	Thibault	
5,927,011	A	7/1999	Sickenius		2008/0237561	A1 *	10/2008	Cozby	256/73
5,950,562	A *	9/1999	Schulte et al.	119/51.02	2008/0290173	A1 *	11/2008	Kotlarsky et al.	235/462.42
6,067,940	A *	5/2000	Holder	119/512	2008/0296548	A1 *	12/2008	McDonald	256/26
6,073,587	A *	6/2000	Hill et al.	119/474	2008/0302310	A1 *	12/2008	Kleinsasser	119/521
6,138,812	A *	10/2000	Kimener	193/35 G	2009/0000564	A1 *	1/2009	Meyer, Jr.	119/514
6,305,672	B1 *	10/2001	Case et al.	256/65.01	2010/0236495	A1 *	9/2010	Kleinsasser	119/524
6,349,924	B1 *	2/2002	Studebaker et al.	256/65.01	2011/0108790	A1 *	5/2011	Cromie et al.	256/73
					2012/0056144	A1 *	3/2012	Woods et al.	256/73
					2012/0233922	A1	9/2012	Flannery et al.	
					2013/0048933	A1 *	2/2013	Trush	256/19
					2014/0110655	A1 *	4/2014	McAlmond	256/73

* cited by examiner

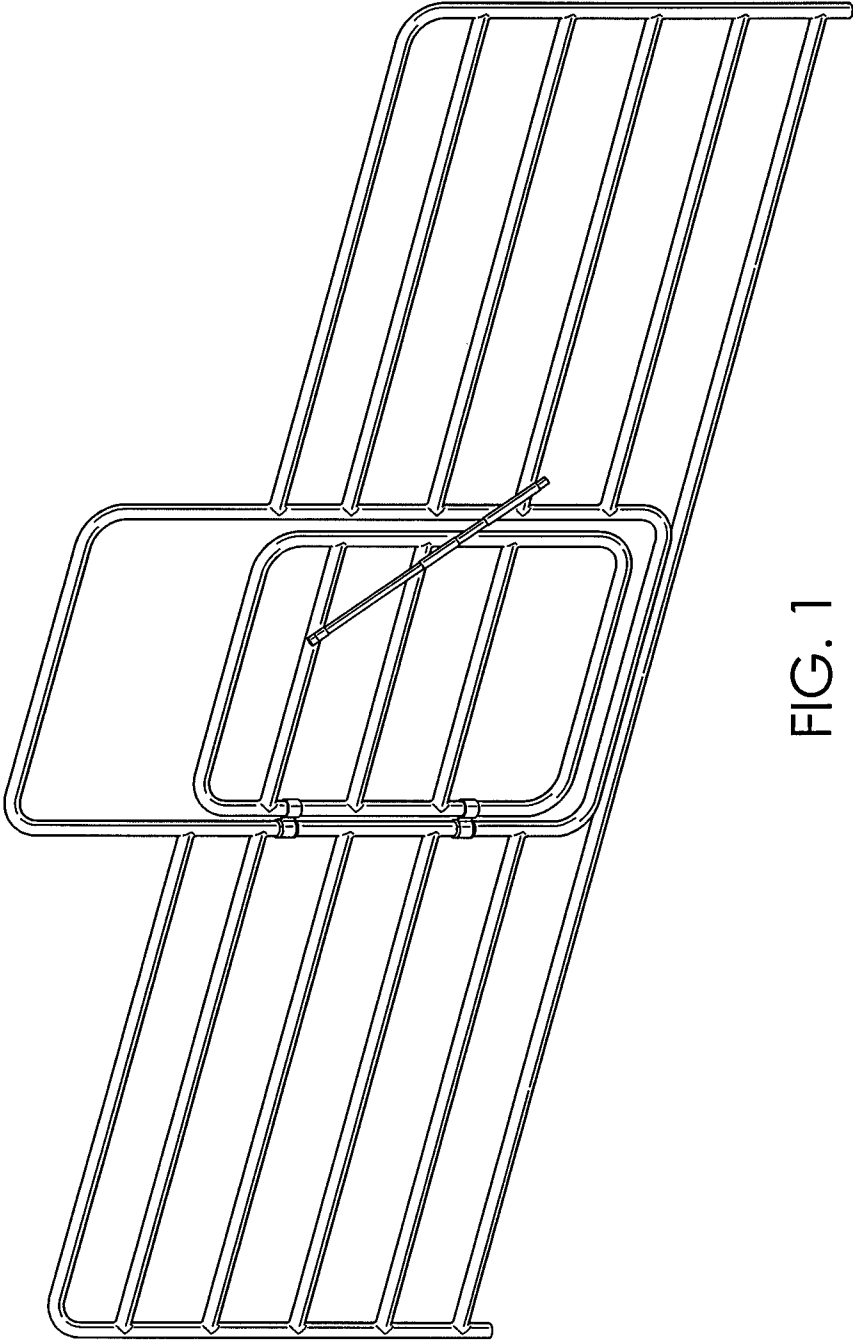


FIG. 1

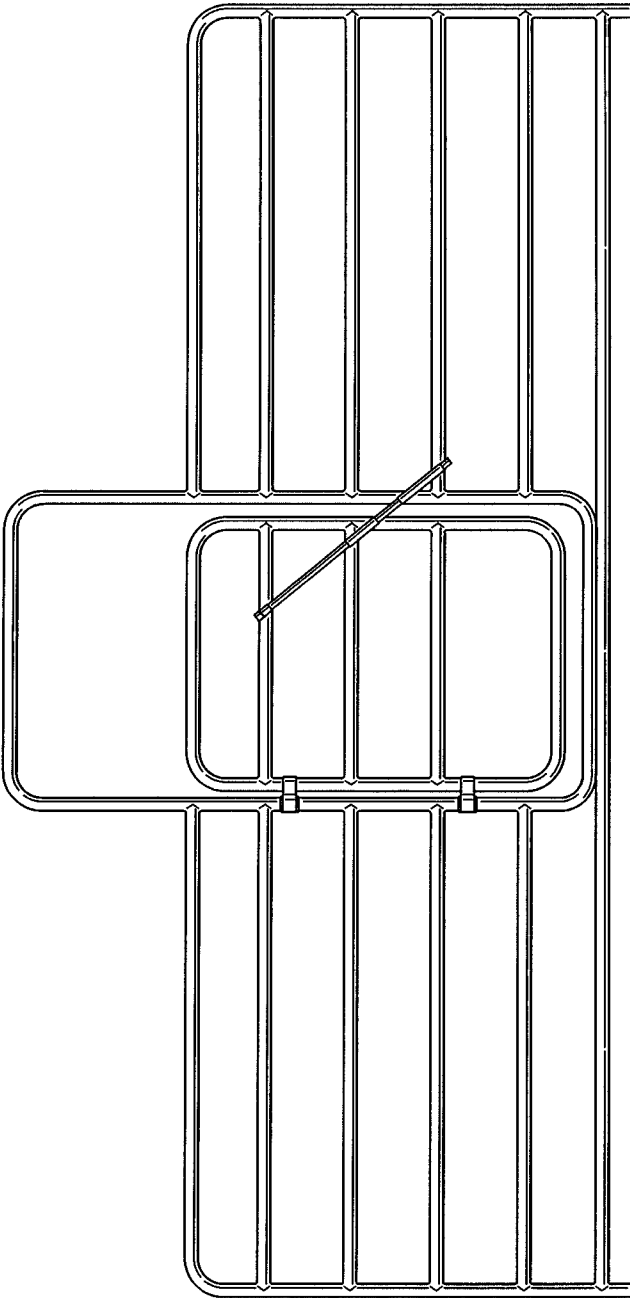


FIG. 2

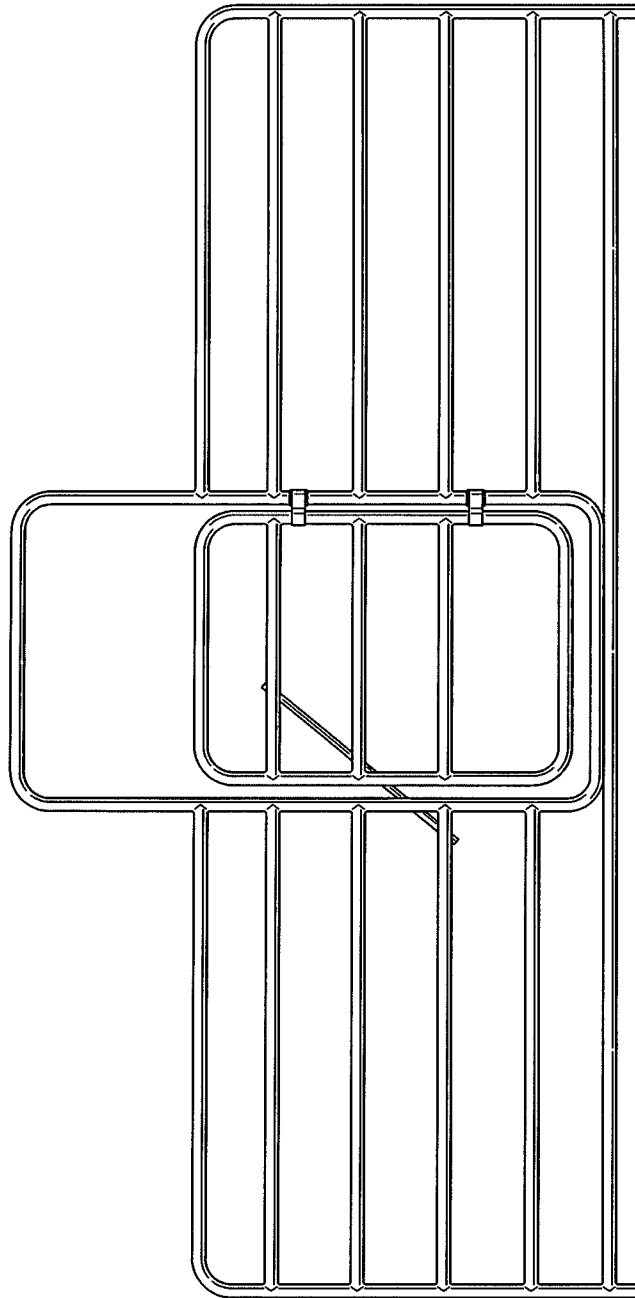


FIG. 3



FIG. 5



FIG. 4



FIG. 6

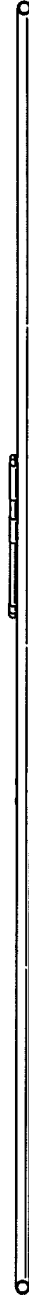


FIG. 7