



US00D737481S

(12) **United States Design Patent**
Thole et al.

(10) **Patent No.:** US D737,481 S

(45) **Date of Patent:** ** Aug. 25, 2015

(54) **VEHICLE HEAD LAMP**

(71) Applicant: **GM GLOBAL TECHNOLOGY OPERATIONS LLC**, Detroit, MI (US)

(72) Inventors: **Louis D. Thole**, Gross Pointe Park, MI (US); **Scott P. Wassell**, Leonard, MI (US)

(73) Assignee: **GM GLOBAL TECHNOLOGY OPERATIONS LLC**, Detroit, MI (US)

(**) Term: **14 Years**

(21) Appl. No.: **29/469,143**

(22) Filed: **Oct. 8, 2013**

(51) **LOC (10) Cl.** **26-06**

(52) **U.S. Cl.**
USPC **D26/28**

(58) **Field of Classification Search**
USPC D26/28-30, 32, 34-35; 362/459-460, 362/464-465, 475-476, 487
CPC B60Q 1/0035; F21S 48/33; F21S 48/31; F21S 48/155; B62J 6/02; B62J 6/04
See application file for complete search history.

(56) **References Cited**

U.S. PATENT DOCUMENTS

D655,837 S *	3/2012	Karras et al.	D26/28
D670,840 S *	11/2012	McCabe et al.	D26/28
D683,870 S *	6/2013	Schmeckpeper	D26/28
D683,871 S *	6/2013	Munson et al.	D26/28
D683,872 S *	6/2013	Munson et al.	D26/28
D686,767 S *	7/2013	Davis	D26/28
D692,598 S *	10/2013	Davis	D26/28

* cited by examiner

Primary Examiner — Wan Laymon
(74) *Attorney, Agent, or Firm* — Mickki D. Murray; Parks Wood LLC

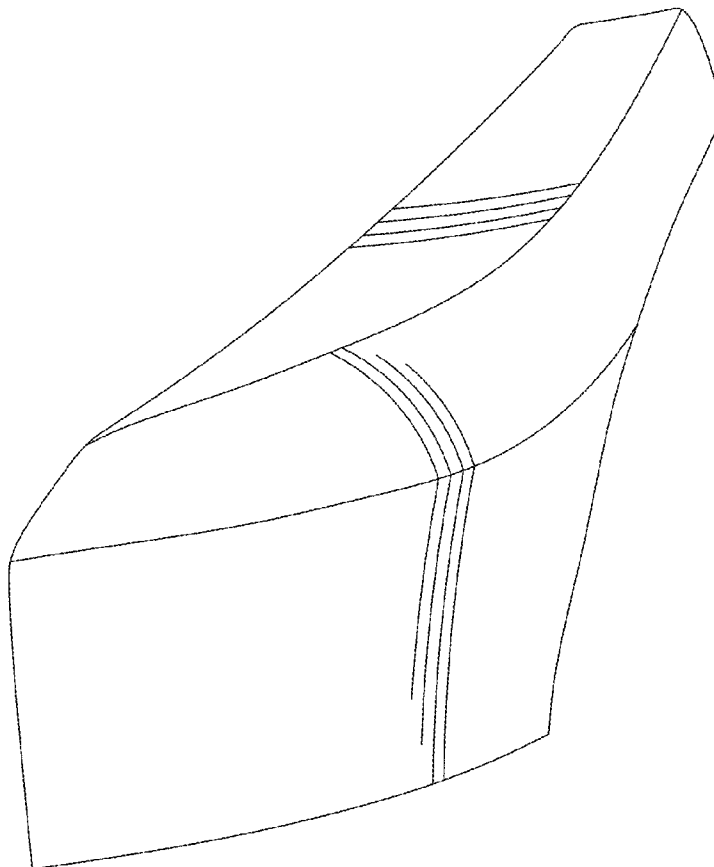
(57) **CLAIM**

The ornamental design for a vehicle head lamp, as shown and described.

DESCRIPTION

FIG. 1 is perspective view of a vehicle head lamp showing the new design;
FIG. 2 is a top plan view, thereof;
FIG. 3 is a side view, thereof; and,
FIG. 4 is a front view, thereof.

1 Claim, 2 Drawing Sheets



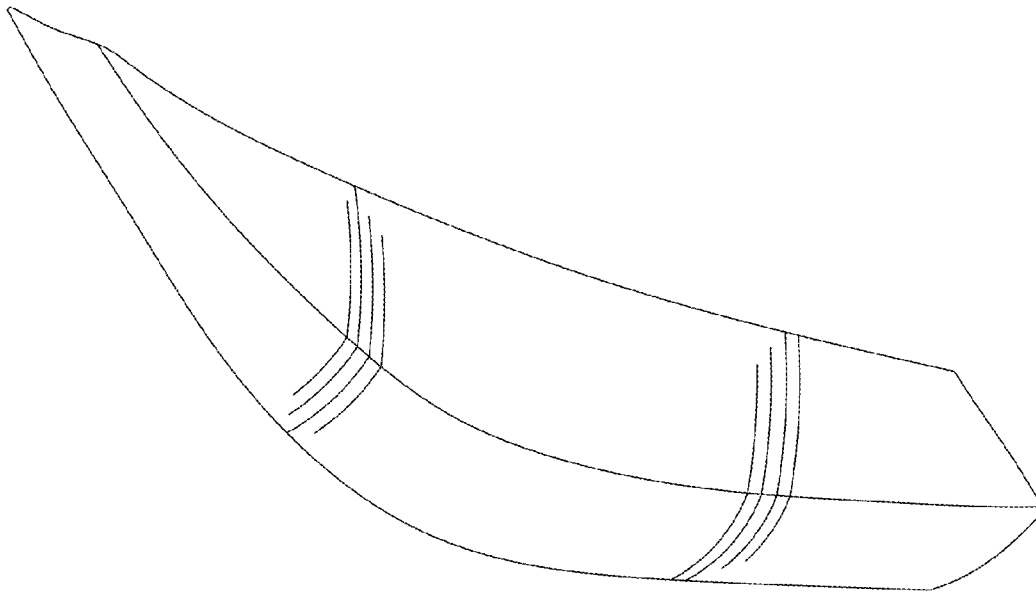
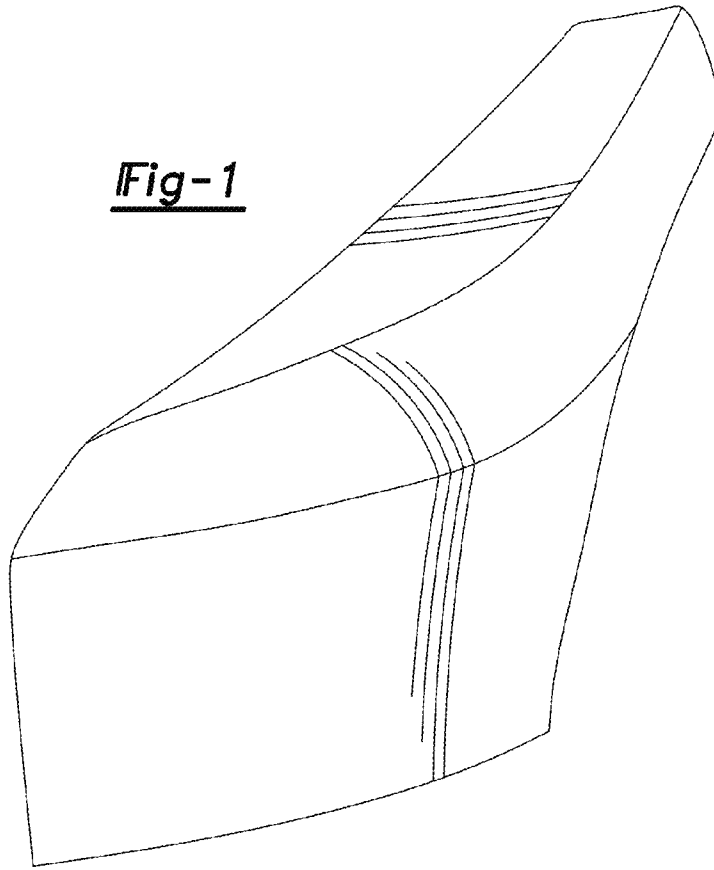


Fig-2

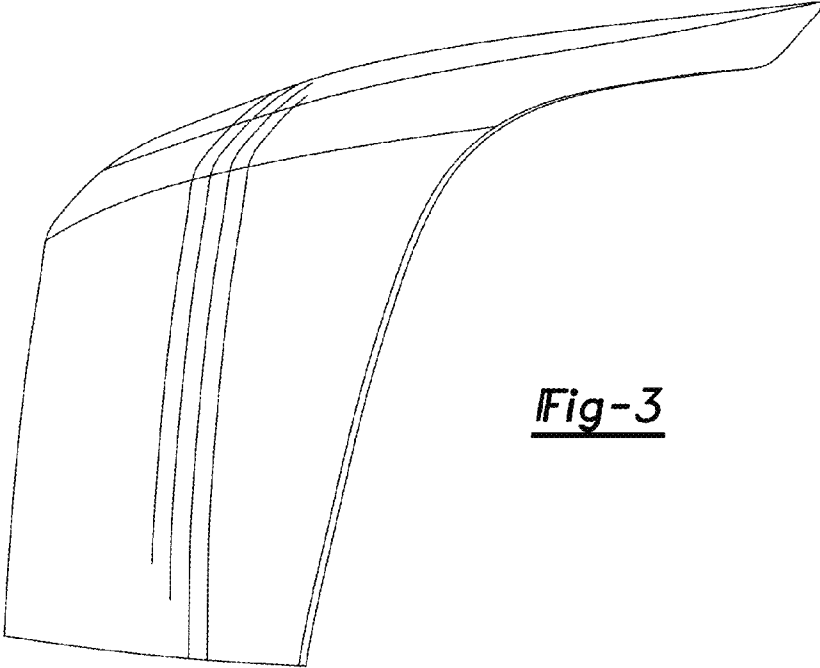


Fig-3

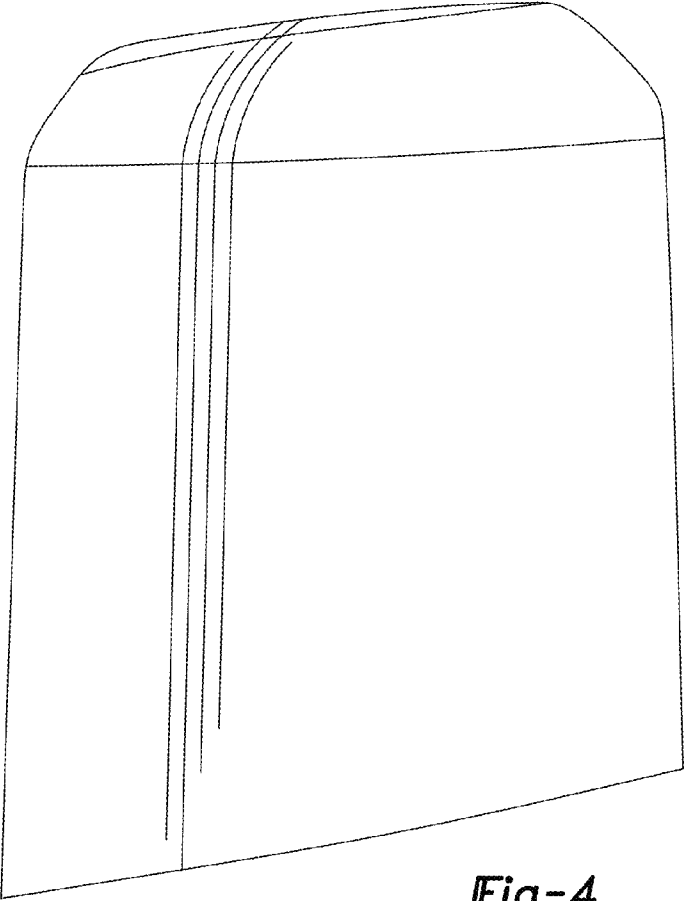


Fig-4