



(72) KIEFFER, Joseph W., US

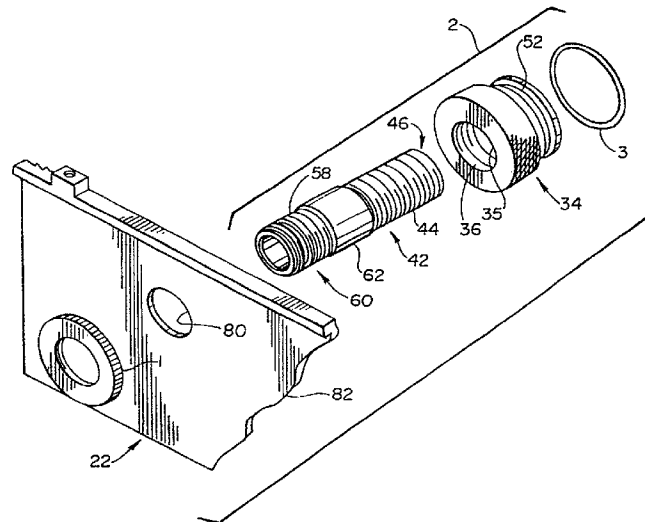
(71) WAGNER SPRAY TECH CORPORATION, US

(51) Int.Cl.⁶ F04D 29/40

(30) 1996/03/01 (08/596,875) US

(54) **RACCORD DE SORTIE POUR TURBINE PORTABLE**

(54) **OUTLET FITTING FOR A PORTABLE TURBINE**



(57) Raccord de sortie (2) pour turbines portables utilisées dans les travaux de peinture par pulvérisation; le raccord de sortie (2) inclue un tuyau d'échappement (42) sur lequel est vissé un anneau de réduction (34) dont le diamètre est adapté au plus près au tuyau d'échappement cylindrique de la turbine avec lequel il est en contact étanche grâce à un joint torique (3); le raccord de sortie (2) est fixé à la paroi (82) d'une enceinte de turbine à l'aide d'un anneau décoratif (1).

(57) An outlet fitting (2) for portable turbines used in paint spraying, the outlet fitting (2) including an exhaust pipe (42) threadedly carrying an annular reducer (34) sized to closely interfit with a cylindrical exhaust tube of the turbine and sealed thereto with an O-ring (3), with the outlet fitting (2) secured to a wall (82) of an enclosure for the turbine by a decorative ring (1).



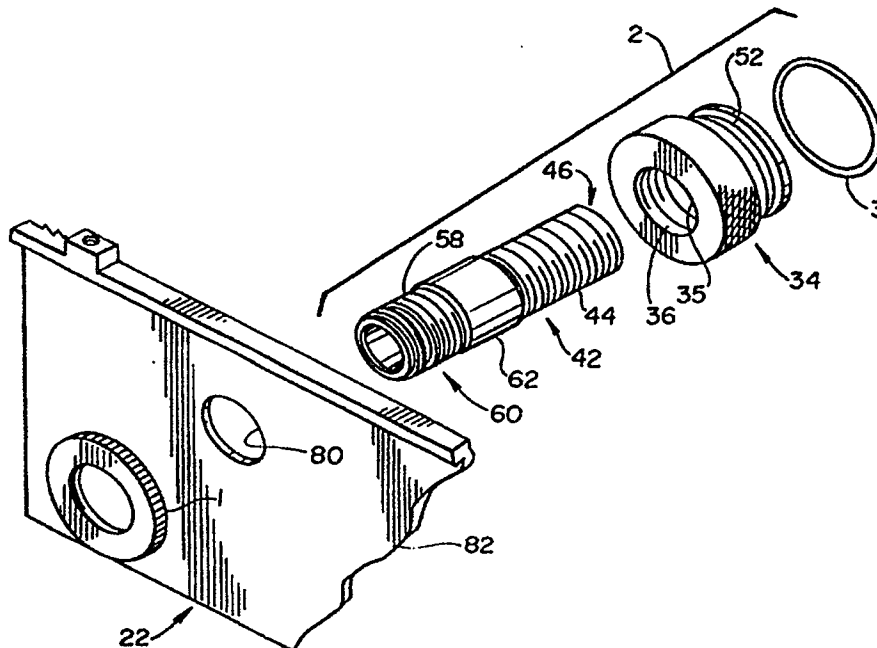
PCT

WORLD INTELLECTUAL PROPERTY ORGANIZATION
International Bureau

INTERNATIONAL APPLICATION PUBLISHED UNDER THE PATENT COOPERATION TREATY (PCT)

(51) International Patent Classification ⁶ : F04D 29/60, 29/40	A1	(11) International Publication Number: WO 97/32133 (43) International Publication Date: 4 September 1997 (04.09.97)
<p>(21) International Application Number: PCT/US96/14174</p> <p>(22) International Filing Date: 5 September 1996 (05.09.96)</p> <p>(30) Priority Data: 08/596,875 1 March 1996 (01.03.96) US</p> <p>(71) Applicant: WAGNER SPRAY TECH CORPORATION [US/US]; 1770 Fernbrook Lane, Minneapolis, MN 55441 (US).</p> <p>(72) Inventor: KIEFFER, Joseph, W.; 14460 Grouse Lane, Rogers, MN 55374 (US).</p> <p>(74) Agents: HAURYKIEWICZ, John, M.; Faegre & Benson L.L.P., 2200 Norwest Center, 90 South Seventh Street, Minneapolis, MN 55402-3901 (US) et al.</p>	<p>(81) Designated States: CA, CN, JP, European patent (AT, BE, CH, DE, DK, ES, FI, FR, GB, GR, IE, IT, LU, MC, NL, PT, SE).</p> <p>Published With international search report.</p> <p>96931459.0</p>	

(54) Title: OUTLET FITTING FOR A PORTABLE TURBINE



(57) Abstract

An outlet fitting (2) for portable turbines used in paint spraying, the outlet fitting (2) including an exhaust pipe (42) threadedly carrying an annular reducer (34) sized to closely interfit with a cylindrical exhaust tube of the turbine and sealed thereto with an O-ring (3), with the outlet fitting (2) secured to a wall (82) of an enclosure for the turbine by a decorative ring (1).

PCT/US96/14174
Wagner Spray Tech Corp.
FBU 6927

23.2.1998

OUTLET FITTING FOR A PORTABLE TURBINE

Background of the Invention

This invention relates to a portable blower according to the first part of claim 1 and useful in air-atomization spray painting, particularly in the field of high volume, low pressure (HVLP) air atomized paint spraying. An example of such a blower, which is designated also as "turbine" in the following description according to the technical language used in USA, is disclosed in US-A-5 199 847.

In the past an air mover in the form of a turbine was developed and manufactured for vacuum cleaner applications. Such turbines often, but not always, had a plastic outlet housing including a plastic exhaust tube. In vacuum cleaner applications, the inlet or suction side was of most interest. In the present application, it has been found desirable from a cost standpoint to utilize such a large outlet turbine to provide atomization air for HVLP spray painting. The turbine was put into an enclosure and the outlet of the turbine was desirably connected via a hose to a hand-held spray gun. The exhaust tube of such turbines, while economic, was not suitable for direct connection to the air hose, being of a larger diameter and not having any means to retain the hose to the exhaust tube, the end portion of which was generally a simple cylinder. The present invention as outlined in claim 1 allows utilization of such economic turbines by providing an outlet fitting that is itself economical and easy to install, and which further provides a convenient and secure means to removably attach the spray gun air hose exteriorly of the enclosure containing the turbine. Additionally, the outlet fitting of the present invention allows quick and easy disassembly of the turbine from the fitting should service or replacement of the turbine be required. Additionally, when the exhaust tube of such turbines was made of plastic, attempts to thread an

- 2 -

adapter or reducer into the exhaust tube were found to result in fracture and consequent destruction of the exhaust tube, a result which is avoided with the present invention.

5

Brief Description of the Drawings

Figure 1 is a perspective view of a turbine enclosure useful in the practice of the present invention.

10

Figure 2 is a partially cut away end view of the enclosure of Fig. 1, also showing a spray gun and hose useful in the practice of the present invention.

Figure 3 is an exploded view of the enclosure of Fig. 1 showing parts contained therein.

15

Figure 4 is an enlarged view of a portion of Fig. 3, showing certain details of the outlet fitting of the present invention.

Figure 5 is a side view of a large outlet turbine useful in the practice of the present invention.

20

Figure 6 is a view of a first end of the turbine of Fig. 5.

Figure 7 is a view of a second end of the turbine of Fig. 5.

25

Figure 8 is an exploded view of the outlet fitting of the present invention, together with a fragmentary perspective view of a wall of the enclosure of Figure 1.

Figure 9 is a fragmentary, partial section view of the outlet fitting of the present invention.

Detailed Description of the Invention

30

Referring to the Figures, and most particularly to Figures 1 and 2, a turbine enclosure 30 useful in the practice of the present invention may be seen. Enclosure 30 has a bottom housing 22, a top housing 25, and two filter cans or housings 5. A handle 26 is provided for carrying enclosure 30 and an electrical cord 70 is used

35

- 3 -

to power the portable assembly. An ON-OFF switch 28, indicator light 27, and fuse holder 24 are located in top housing 25. A cup holder 23 forms a part of the enclosure 30 and is sized to receive a paint cup 72 of a hand-held spray gun 74. An air hose 76 is used to connect the gun to the turbine in enclosure 30. An air fan filter 6 is provided at one end of the enclosure 30 and is retained by one of the filter housings 5.

Referring now also to Figure 3, air for the turbine inlet is drawn through a two stage filter 11 in the other filter housing 5. A pair of identical filter screens 7 each support one of the filters 6 and 11, respectively, and a pair of foam fan noise rings 8 are included interior of the filter housings to suppress noise. In addition an additional foam silencer 12 can be used to suppress noise generated by turbine 17. Turbine 17 is preferably mounted to a sheet metal can cover 15 by bolts 13, spacers 16, washers 18 and nuts 19. An annular foam disk 14 seals the inlet side of turbine 17 against cover or plate 15. Similarly, a second can cover or plate 9 completes the filter can assembly at the other end of enclosure 30. Preferably sheet metal screws 4 are used to secure covers 9 and 15 to their respective filter housings 5.

A plastic or nylon cylindrical member 10 is preferably installed on the end of every other one of the sheet metal screws 4 to provide can mounting feet for each of the filter can subassemblies, and to provide a spacer function for securing each of the filter can subassemblies between the grooved flanges of the top and bottom housings 25, 22.

A perforated metal vent plate 21 permits motor cooling air to exhaust the enclosure 30. Four cap screws 20 are preferably used to secure the top and bottom housings 25, 22 together, retaining the filter can assemblies at each end of enclosure 30.

- 4 -

Turning now to Figures 4 and 8, the outlet fitting 2 of the present invention may be seen in more detail. Outlet fitting 2 includes an annular reducer member 34, an O-ring 3, an exhaust pipe 42, and a decorative ring 1. Fitting 2 is assembled by placing O-ring 3 in a groove 52 at a first end 48 of reducer 34. Reducer 34 is then preferably assembled on pipe 42 by interengaging internal threads 36 in a through bore 35 in reducer 34 with a first set of external threads 44 at a first end 46 of pipe 42 until reducer abuts an intermediate unthreaded portion 62, as shown by phantom line 78 in Figure 9. A second end 60 of exhaust pipe 42 is then preferably inserted through an aperture 80 in a wall 82 of the bottom housing 22 of enclosure 30. An internally threaded decorative ring 1 is then preferably received on a second set 58 of external threads 58 at the second end 60 of pipe 42. Ring 1 can then be tightened on threads 58 to secure pipe 42 to wall 82 since a shoulder formed by the unthreaded portion 62 is larger in diameter than aperture 80.

Referring now also to Figures 5, 6, and 7, more details of the turbine 17 useful in the practice of the present invention may be seen. Turbine 17 preferably has a plastic housing and exhaust tube molded as a unit 84 and indicated by speckling in Figs 5-7. It is to be understood, however, that unit 84 may be formed of other materials, such as die-cast aluminum, as an alternative to plastic. Turbine 17 is mounted in enclosure 30 by three projections 86, each having an aperture 88 therethrough to receive one of the mounting bolts 13. Air is drawn in an inlet aperture 90 of turbine 17, compressed and delivered via an exhaust tube 32. Tube 32 exhausts air generally tangentially of turbine 17 and along a cylindrical axis 92. Tube 32 is to be understood to be cylindrically shaped at its outlet end, concentric to axis 92. It is to be further understood that when outlet fitting 2 is installed in aperture 80, it will be

- 5 -

coaxially aligned with and axially spaced apart from tube 32 along axis 92, when the turbine 17 is installed in enclosure 30. Once fitting 2 and turbine 17 are thus aligned, reducer member 34 is preferably "backed-off" or partially unthreaded along pipe 42, causing O-ring 3 to become compressed between an interior diameter 94 of tube 32 and the annular reducer 32 to prevent air from leaking therebetween. Once the outlet fitting is installed, air exiting the turbine 17 is directed to pass through the annular reducer 32 and the exhaust pipe 42 where it is presented at the exterior of the enclosure 30 for transmission via hose 76 to spray gun 74. As may be seen in Figure 2, a threaded connector 96 is preferably provided on one end of hose 76 for connection to threads 58 on pipe 42. As may be seen most clearly in Figure 9, wall 82 is preferably generally perpendicular to axis 92 of tube 32.

The invention is not to be taken as limited to all of the details thereof as modifications and variations thereof may be made without departing from the spirit or scope of the invention. For example, reducer 34 may be made of somewhat resilient material if desired to eliminate O-ring 3. Furthermore, but not by way of limitation, mounting means 50, which in the embodiment shown includes ring 1, may be any other suitable means, such as a press or threaded or snap fit with wall 82, or a clip or retaining ring (for example) may be used in place of threaded ring 1.

PCT/US96/14174
WAGNER SPRAY TECH CORPORATION
FBU 6927

CLAIMS

1. An outlet fitting for a portable blower carried in an enclosure (30), the blower having an exhaust tube (32) of fixed internal diameter, the outlet fitting (2) comprising an annular reducer (34) and mounting means (1, 58) for securing the outlet fitting (2) to the enclosure of the blower, characterized in that the reducer has a bore (35) therethrough carrying internal threads (36) and an external diameter at a first end thereof sized to closely interfit the internal diameter of the exhaust tube of the portable turbine; and an exhaust pipe (42) has a first set of external threads (44) thereon at a first end thereof to matingly engage the internal threads (36) of the annular reducer (35) and further has mounting means (1, 58) for securing the exhaust pipe (42) to the enclosure (30) of the blower.
2. The outlet fitting of claim 1 wherein the reducer (34) further comprises an external groove (52) at the first end thereof and wherein the outlet fitting (2) further comprises an O-ring (3) carried in the groove (52) for sealing the outlet fitting (2) to the exhaust tube (32).
3. The outlet fitting of claim 1 or 2 wherein the mounting means comprises an internally threaded decorative ring (1) received on a second set of external threads (58) located at a second end (60) of the exhaust pipe (42) distal of the first set of threads (44) and exterior of the enclosure (30).
4. The outlet fitting of claim 3 wherein the exhaust pipe (42) further comprises an unthreaded portion (62) inter-

- 2 -

mediate the first and second sets of threads (44, 58), the unthreaded portion having a diameter larger than a diameter of the second set of threads (58).

5. A method of connecting the outlet of a blower (17) to a consumer (74) of pressurized air, e.g. a spray gun, comprising the steps of:
 - a) threading an annular reducer (34) having a bore therethrough onto an exhaust pipe (42);
 - b) installing the exhaust pipe (42) in a wall (82) of an enclosure (30) for the blower (17) and in alignment with an exhaust tube (32) of the blower; and
 - c) backing the annular reducer (34) along the threads of the exhaust pipe (42) until the reducer (34) is received in the exhaust tube (32) of the blower.
6. The method of claim 5 wherein step a) further comprises installing an O-ring (3) on the exterior of the annular reducer (34) and step c) further comprises compressing the O-ring between an interior diameter of the exhaust tube (32) and the annular reducer (34) to prevent air from leaking between the exhaust tube (32) and the annular reducer (34) when the reducer is received in the tube.
7. The method of claim 5 or 6 wherein step b) further comprises inserting the exhaust pipe (42) through an aperture (80) in the wall (82) of the enclosure and threading a decorative ring (1) on the exhaust pipe (42) exterior of the wall (82) to retain the pipe (42) to the wall (82).
8. A combined outlet fitting, blower and enclosure assembly for portable paint spraying, the assembly comprising:
 - a) a blower (17) having a generally cylindrical exhaust tube (32) projecting along an axis (92);

AMENDED SHEET

- b) an enclosure (30) carrying the blower (17) and having a wall (82) spaced apart from the cylindrical exhaust tube (32) and positioned generally perpendicularly to the axis (92) of the exhaust tube (32);
- c) an outlet fitting having
 - i) an exhaust pipe (42) threaded at one end thereof, and
 - ii) an annular reducer (34) having a bore (35) therethrough threadably received on the exhaust pipe;

wherein the outlet fitting is secured to the wall (82) of the enclosure (30) and projects generally perpendicularly thereto and interiorly of the enclosure (30) in alignment with the axis (92), and further wherein the annular reducer (34) is received in and seals against the cylindrical exhaust tube (32) of the blower to direct air exiting the blower to pass through the annular reducer (34) and the exhaust pipe (42) for delivery to a consumer (74) exterior of the enclosure.

- 9. The assembly of claim 8 further comprising
 - iii) a threaded end (60) of the exhaust pipe (42) projecting exteriorly of the wall (82) of the enclosure (30), and
 - d) a spray gun (74) and air hose (76) connected to the threaded end (60) of the pipe (42) to provide atomization air from the blower (17) to the gun (74) for paint spraying.
- 10. The assembly of claim 9 further comprising a decorative ring (1) threadably received on the threaded end (60) of the exhaust pipe (42) exterior of the enclosure (30) to secure the pipe to the wall (82) of the enclosure.

11. The assembly of claim 10 wherein the exhaust tube (32) is formed of plastic.
12. The assembly of claim 10 wherein the exhaust tube (32) is formed of aluminium.
13. The assembly of one of claims 9 to 12 further comprising an O-ring (3) located between the annular reducer (34) and the exhaust tube (32).

1/4
Fig. 1

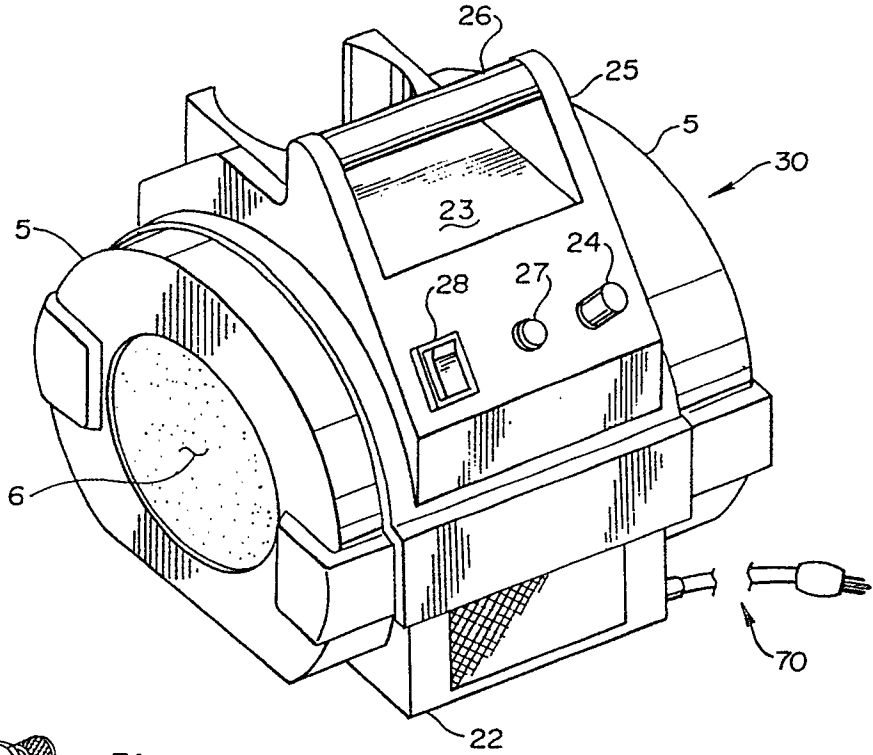
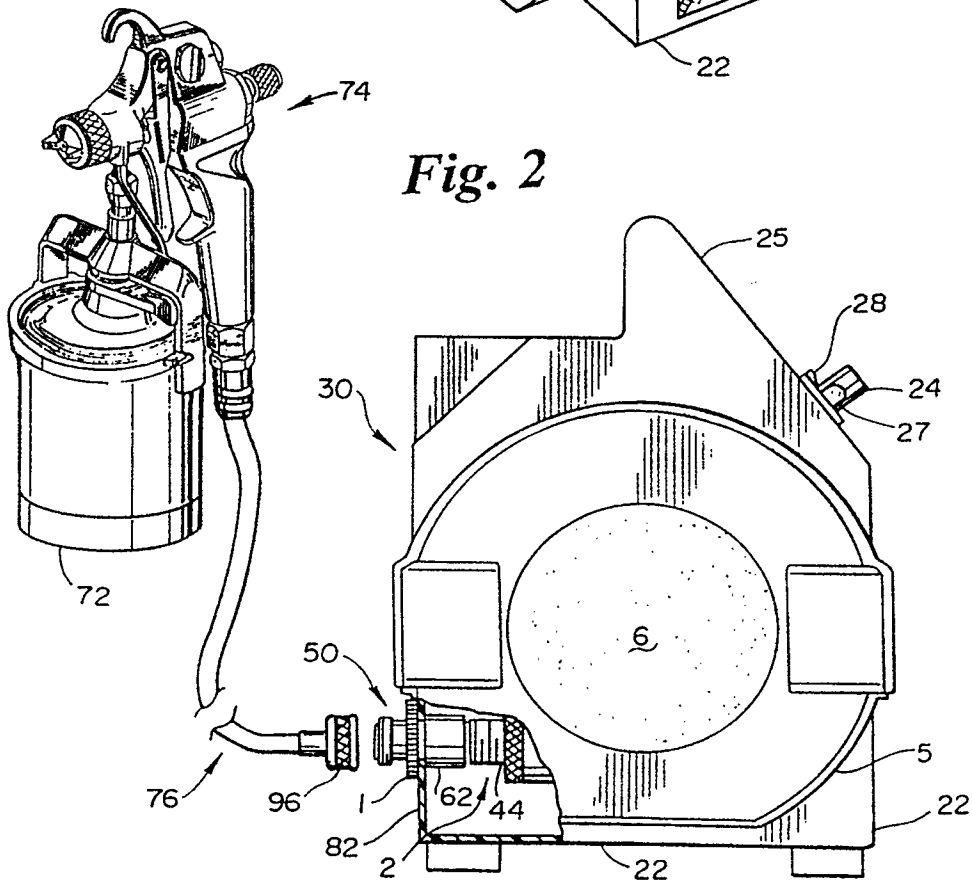


Fig. 2



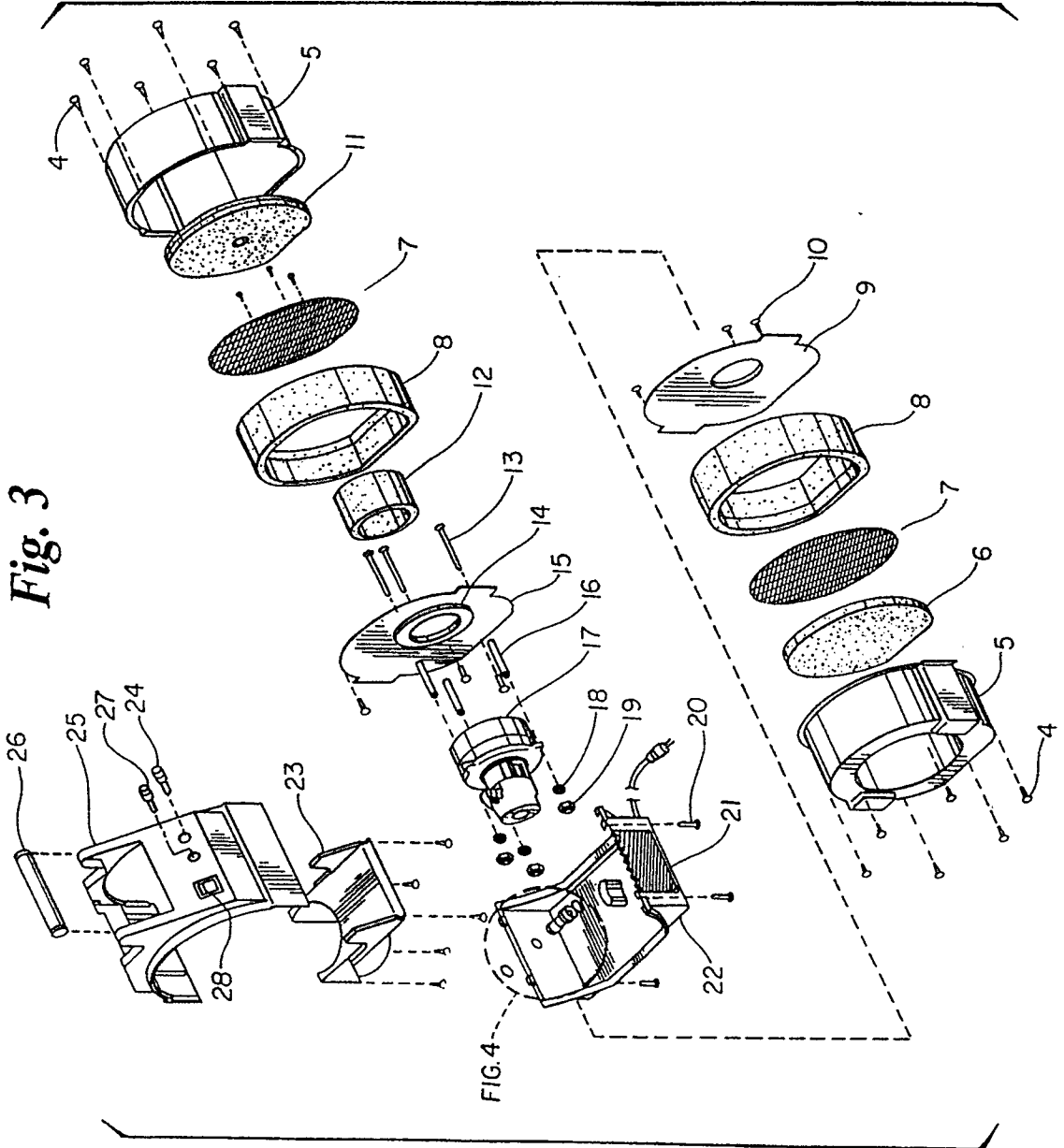
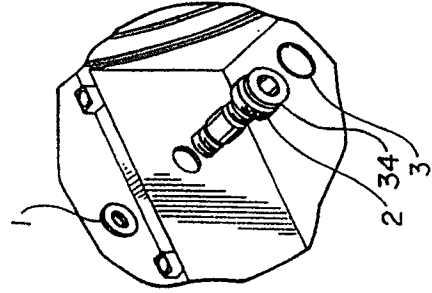
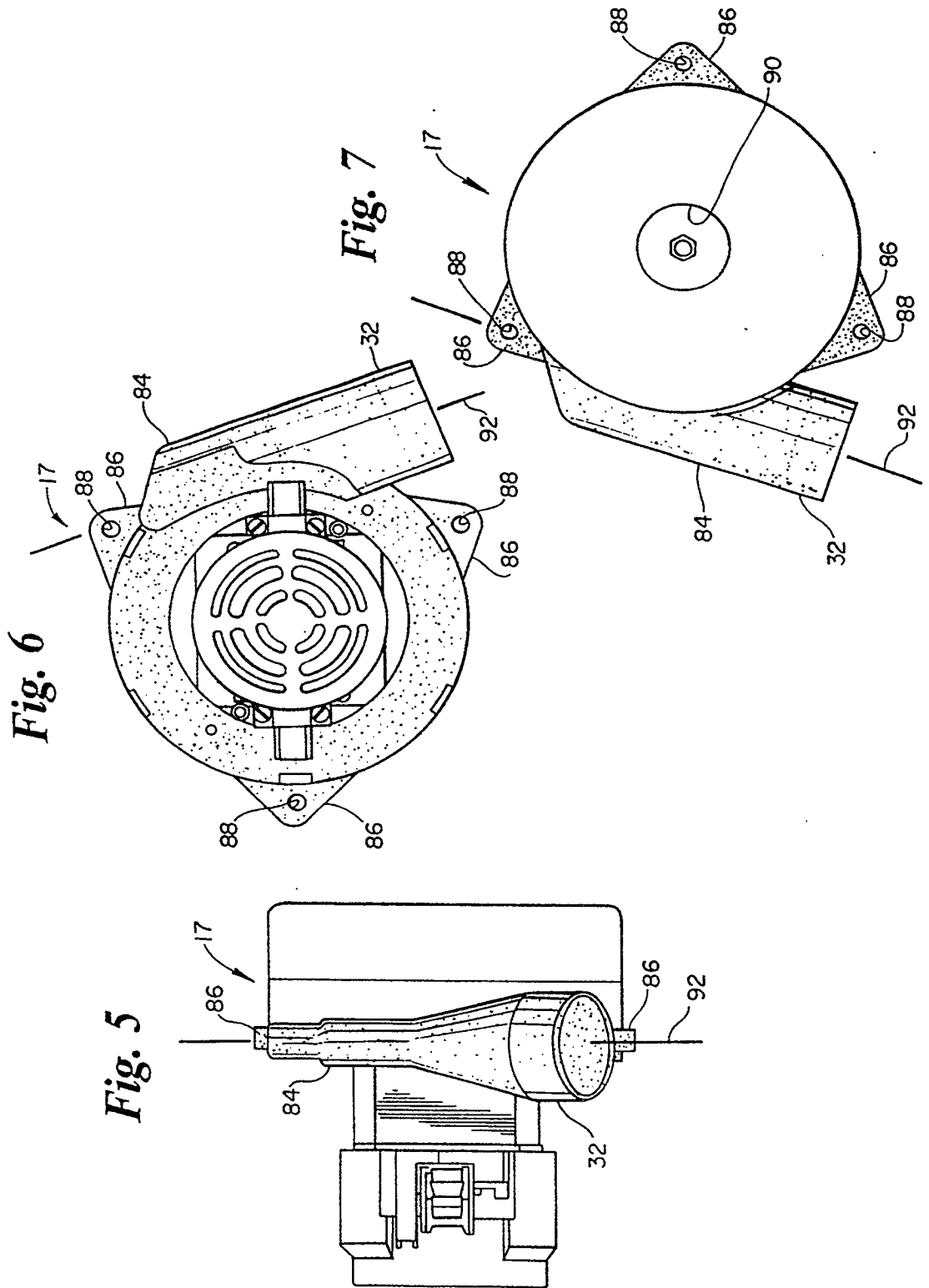


Fig. 3

Fig. 4



3/4



4/4

Fig. 8

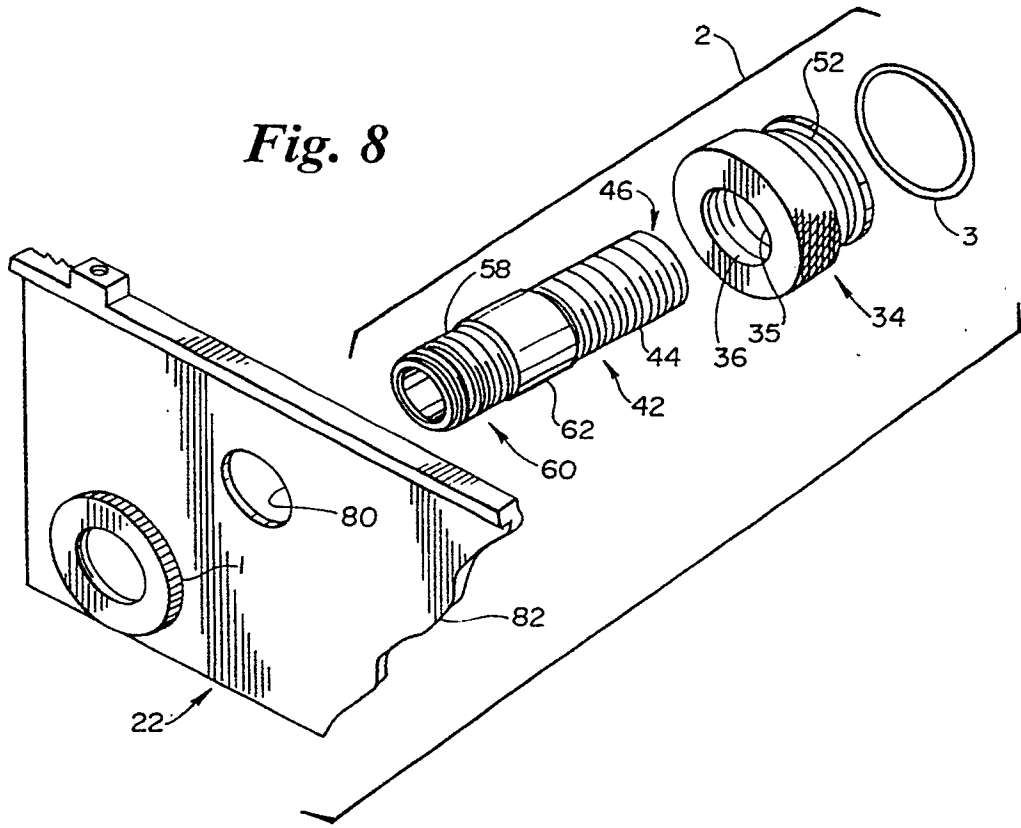


Fig. 9

