



US00D720396S

(12) **United States Design Patent**
Torimoto et al.

(10) **Patent No.:** **US D720,396 S**

(45) **Date of Patent:** **** Dec. 30, 2014**

- (54) **TONER CARTRIDGE**
- (71) Applicant: **Kyocera Document Solutions Inc.,**
Osaka (JP)
- (72) Inventors: **Masaru Torimoto, Osaka (JP); Tatsuya**
Yamanaka, Osaka (JP)
- (73) Assignee: **Kyocera Document Solutions Inc.,**
Osaka (JP)
- (**) Term: **14 Years**
- (21) Appl. No.: **29/460,367**
- (22) Filed: **Jul. 10, 2013**
- (30) **Foreign Application Priority Data**

Mar. 26, 2013 (JP) 2013-006563
(51) **LOC (10) Cl.** **16-03**

(52) **U.S. Cl.**
USPC **D18/43**

(58) **Field of Classification Search**
USPC D18/12, 36, 40, 43, 44, 54, 56;
D14/471; 347/49, 50, 197, 222;
399/11, 92, 106, 110, 111 COR, 113,
399/119 COR, 120, 127, 159 COR, 230,
399/254, 350, 353
See application file for complete search history.

(56) **References Cited**

U.S. PATENT DOCUMENTS

D451,538 S * 12/2001 Schwamkrug et al. D18/40

D524,848 S *	7/2006	Murata	D18/43
D525,289 S *	7/2006	Murata	D18/43
D621,870 S *	8/2010	Eto	D18/43
D653,283 S *	1/2012	Eto	D18/43
2014/0119747 A1*	5/2014	Umezawa	399/27
2014/0140737 A1*	5/2014	Yamanaka	399/260

* cited by examiner

Primary Examiner — Eric Goodman

Assistant Examiner — Amy Wierenga

(74) *Attorney, Agent, or Firm* — Young & Thompson

(57) **CLAIM**

The ornamental design for a toner cartridge, as shown and described.

DESCRIPTION

FIG. 1 is a perspective view of front, right and top of toner cartridge showing our new design;
FIG. 2 is a perspective view of rear, left and bottom thereof;
FIG. 3 is a front view thereof;
FIG. 4 is a rear view thereof;
FIG. 5 is a left side view thereof;
FIG. 6 is a right side view thereof;
FIG. 7 is a top view thereof; and,
FIG. 8 is a bottom view thereof.

1 Claim, 5 Drawing Sheets

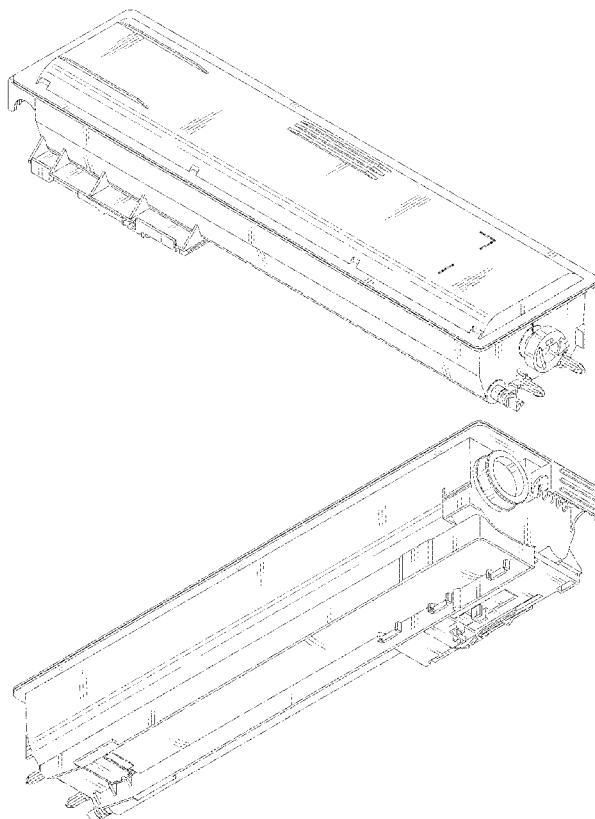
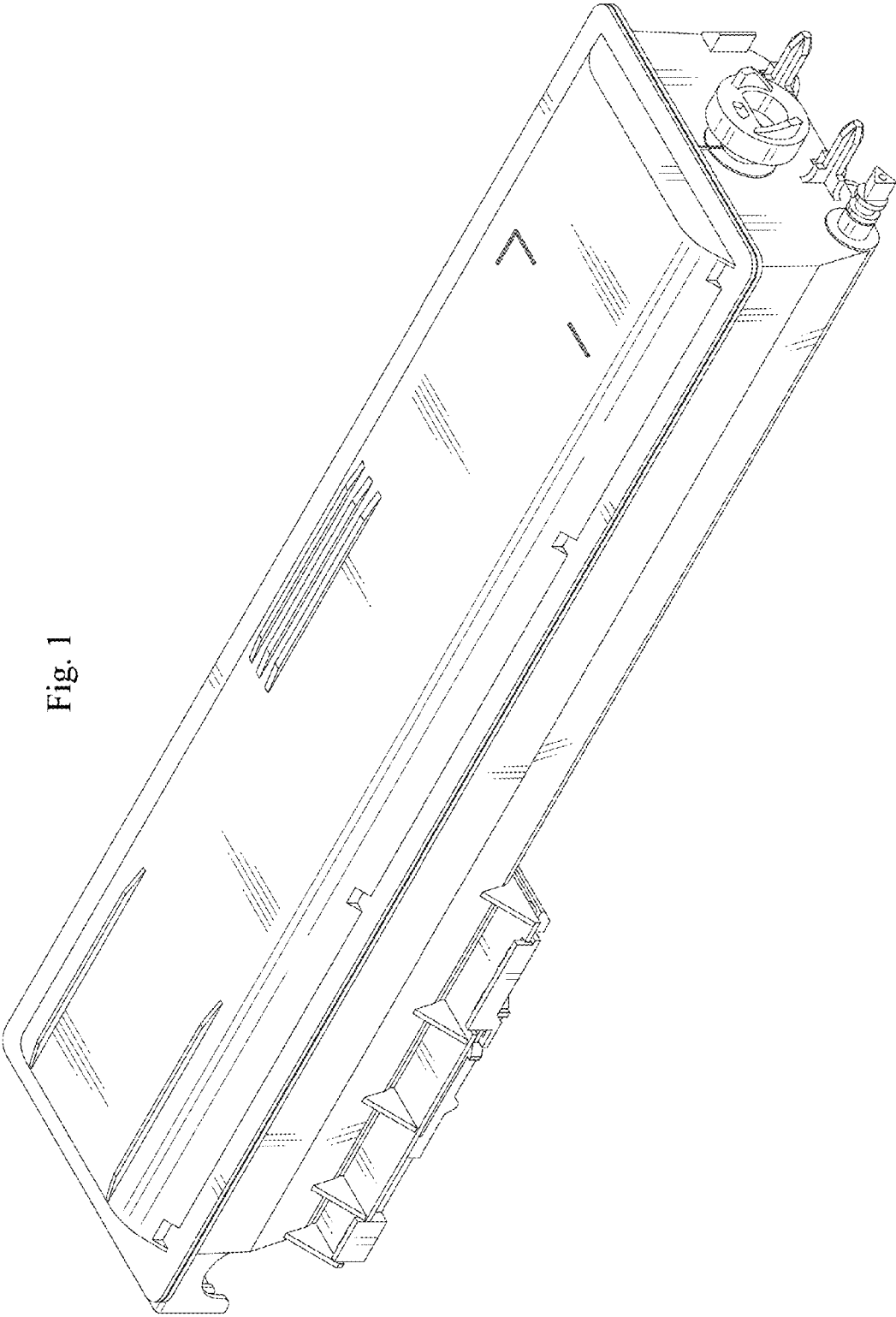


Fig. 1



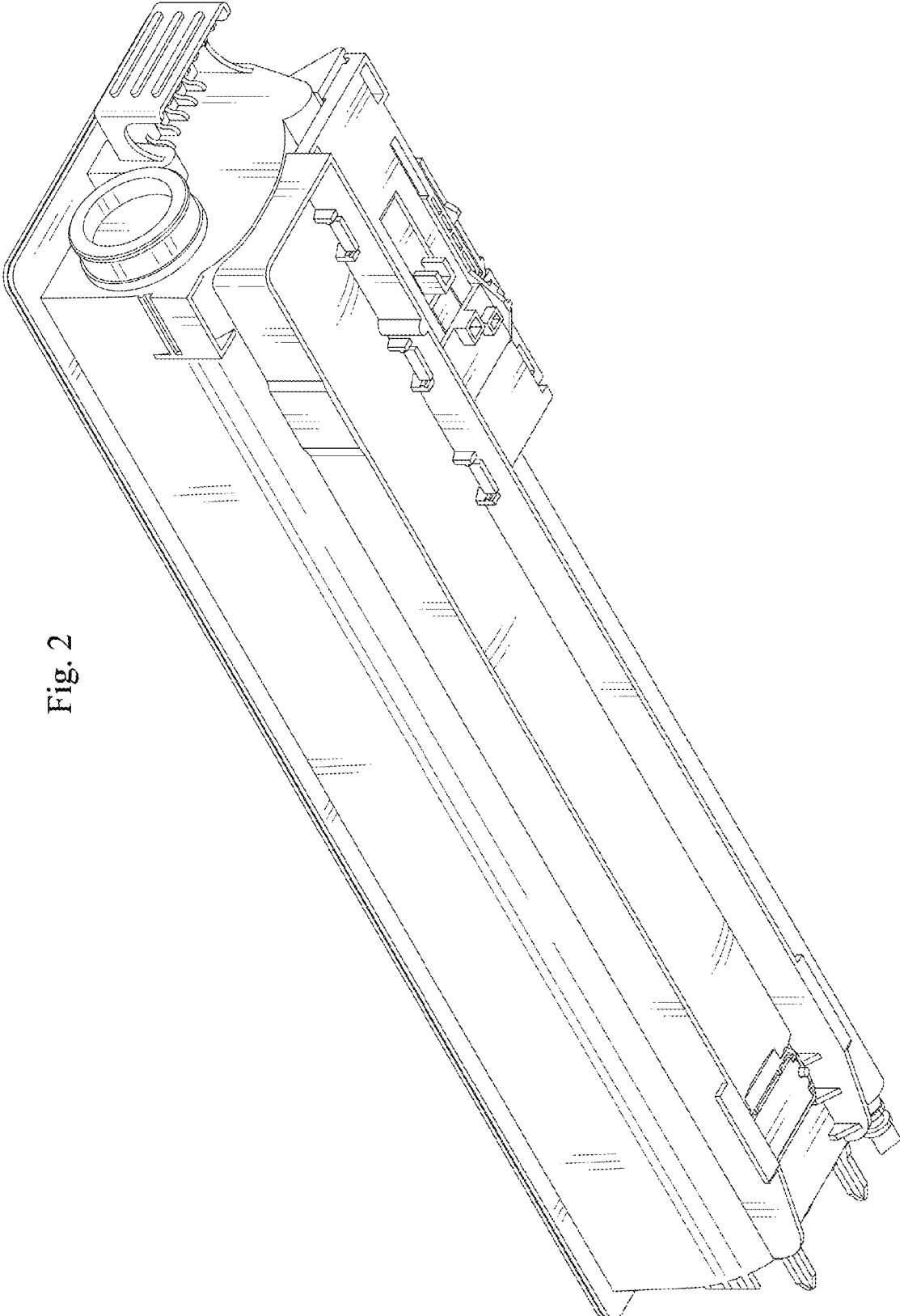


Fig. 2

Fig. 3

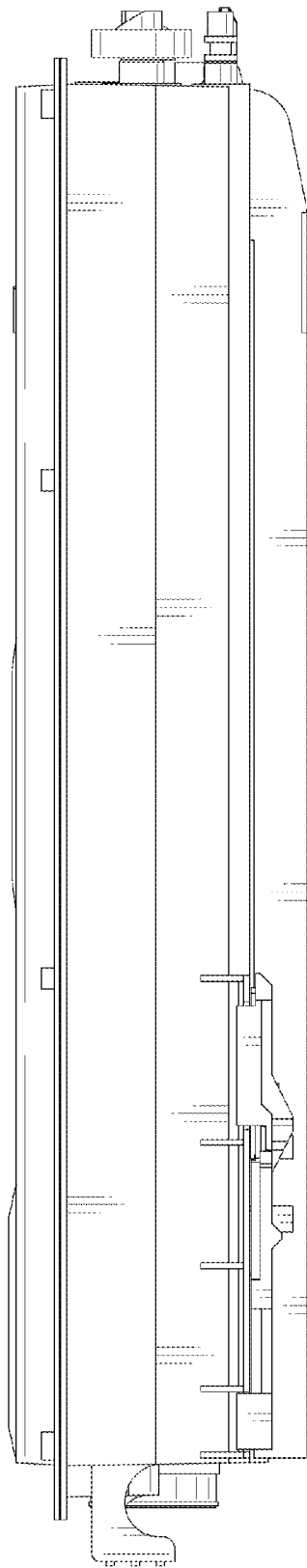


Fig. 4

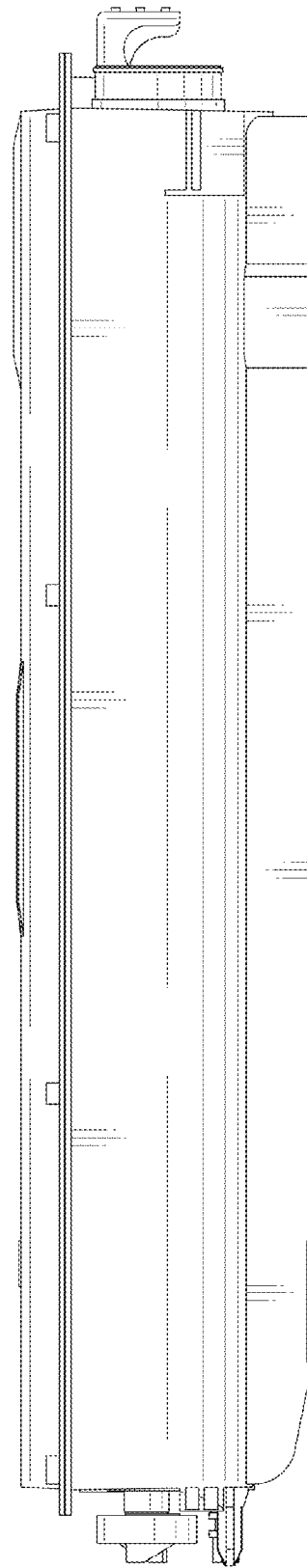


Fig. 6

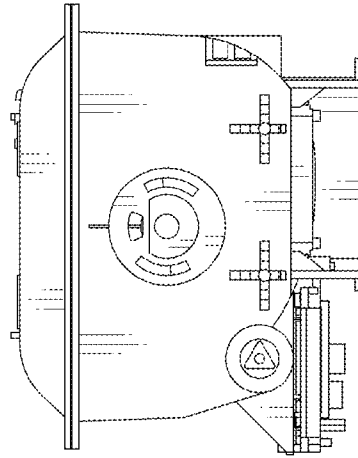


Fig. 5

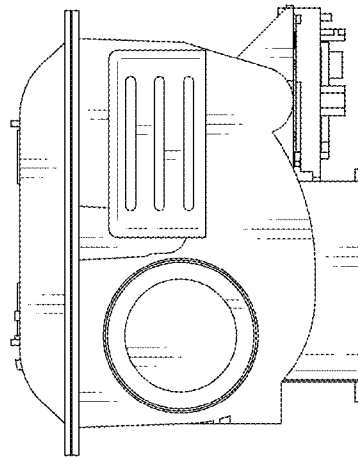


Fig. 7

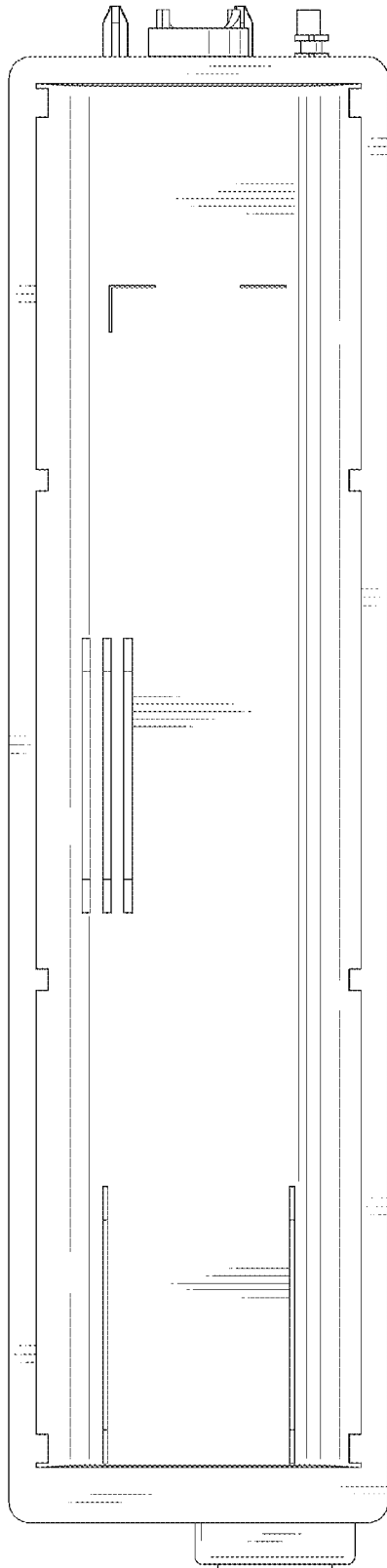


Fig. 8

