



US00D730680S

(12) **United States Design Patent**  
**Palermo**

(10) **Patent No.:** **US D730,680 S**

(45) **Date of Patent:** **\*\* Jun. 2, 2015**

(54) **COOKER**

(71) Applicant: **Raymond Palermo**, Marietta, GA (US)

(72) Inventor: **Raymond Palermo**, Marietta, GA (US)

(73) Assignee: **Cheep Monkey Companies, Inc.**,  
Marietta, GA (US)

(\*\*) Term: **14 Years**

(21) Appl. No.: **29/471,406**

(22) Filed: **Oct. 31, 2013**

(51) **LOC (10) Cl.** ..... **07-02**

(52) **U.S. Cl.**  
USPC ..... **D7/367**

(58) **Field of Classification Search**

USPC ..... D7/323, 328-330, 337, 347, 352-364,  
D7/367, 402, 409-411; 99/324-326, 331,  
99/339-340, 349, 356-357, 372-379,  
99/444-446, 483; 126/25 R; 219/386,  
219/450.1, 472, 490, 524-525, 620-622,  
219/732-734  
CPC ..... A21B 1/22; A21B 5/023; A23B 7/0205;  
A47J 27/004; A47J 27/60; A47J 27/62;  
A47J 33/00; A47J 37/04; A47J 37/06; A47J  
37/067; A47J 37/0605; A47J 37/0611; A47J  
37/0623; A47J 37/0629; A47J 37/0676;  
A47J 2037/06; A47J 2037/0611; F24C 15/10;  
F24C 15/102; H05B 6/02; H05B 6/062  
See application file for complete search history.

(56) **References Cited**

**U.S. PATENT DOCUMENTS**

3,301,172 A \* 1/1967 Longo ..... 99/446  
D289,847 S \* 5/1987 Okamoto et al. .... D7/363

(Continued)

*Primary Examiner* — Ricky Pham

(74) *Attorney, Agent, or Firm* — Smith Risley Tempel  
Santos LLC; Gregory Scott Smith

(57) **CLAIM**

The ornamental design for a cooker, as shown and described.

**DESCRIPTION**

FIG. 1 is a perspective view of a first embodiment of the ornamental design of a cooker including a base, cooking surface and a top cover;

FIG. 2 is a perspective and exploded view of the various components included within in the embodiment of the cooker illustrated in FIG. 1, however the top cover is not illustrated in this drawing;

FIG. 3 is a top plan view of the cooker illustrated in FIG. 1; FIG. 4 is a cross-sectional side elevation view taken at line 4-4 of FIG. 3 of the cooker illustrated in FIG. 1;

FIG. 5 is a perspective view of the cross-sectional view of FIG. 4 of the cooker illustrated in FIG. 1.

FIG. 6 is a top plan view of the cooker illustrated in FIG. 1; FIG. 7 is a cross-sectional side elevation view taken at line 7-7 of FIG. 6 of the cooker illustrated in FIG. 1;

FIG. 8 is a perspective view of the cross-sectional view of FIG. 7 of the cooker illustrated in FIG. 1;

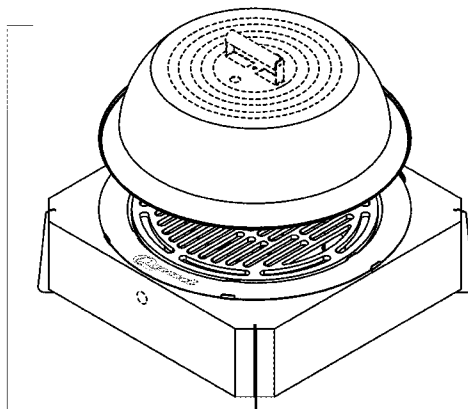
FIG. 9A is a perspective view of a second embodiment of a top cover that can be placed on the embodiment illustrated in FIG. 1;

FIG. 9B is a side elevation view of the second embodiment of a top cover illustrated in FIG. 9A; and,

FIG. 9C is a top plan view of the second embodiment of a top cover illustrated in FIG. 9A.

An ornamental design for cooker is illustrated. The elements shown with broken lines form no part of the invention although the applicant reserves the right to amend the drawings or submit continuation applications with drawings in which some of the broken lines may be presented as solid lines and thus become part of the claim. Two embodiments are presented with the differentiation between the embodiments being the type of top cover that is utilized. One embodiment has a solid sided top cover while the other embodiment has an opening in the side of the top cover. However, the hole is disclaimed as presented herein.

**1 Claim, 7 Drawing Sheets**



(56)

**References Cited**

U.S. PATENT DOCUMENTS

5,970,858	A *	10/1999	Boehm et al.	99/446	D491,013	S *	6/2004	Yang	D7/367
6,041,696	A *	3/2000	Su	99/483	8,330,083	B2 *	12/2012	Moon et al.	219/490
6,082,249	A *	7/2000	Su	99/340	D678,712	S *	3/2013	Mehler	D7/359
D431,411	S *	10/2000	Chang	D7/362	D684,808	S *	6/2013	Mehler	D7/359
					D706,571	S *	6/2014	Rivera et al.	D7/359
					8,835,810	B2 *	9/2014	Moon	219/386
					2009/0020109	A1 *	1/2009	Rheault	126/25 R

\* cited by examiner

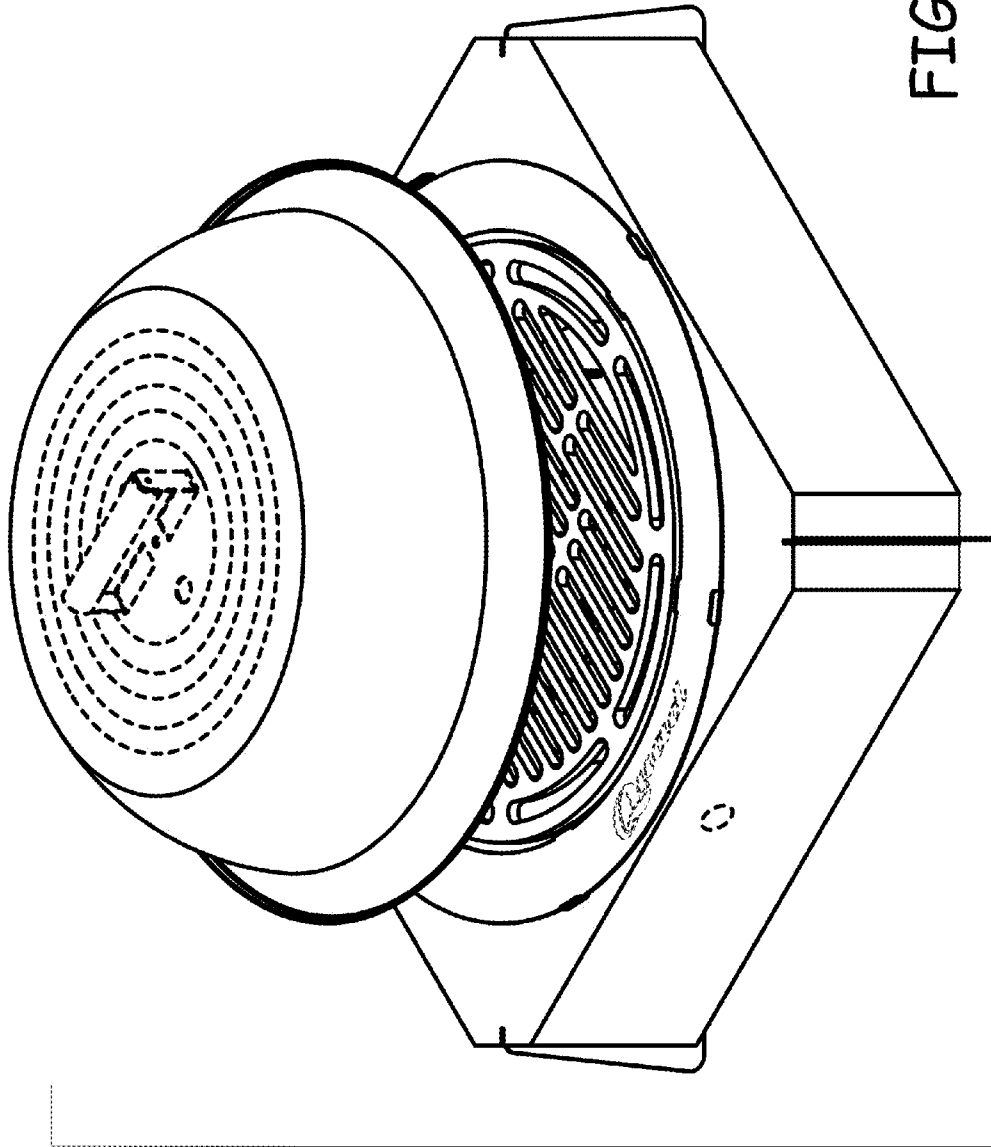


FIG. 1

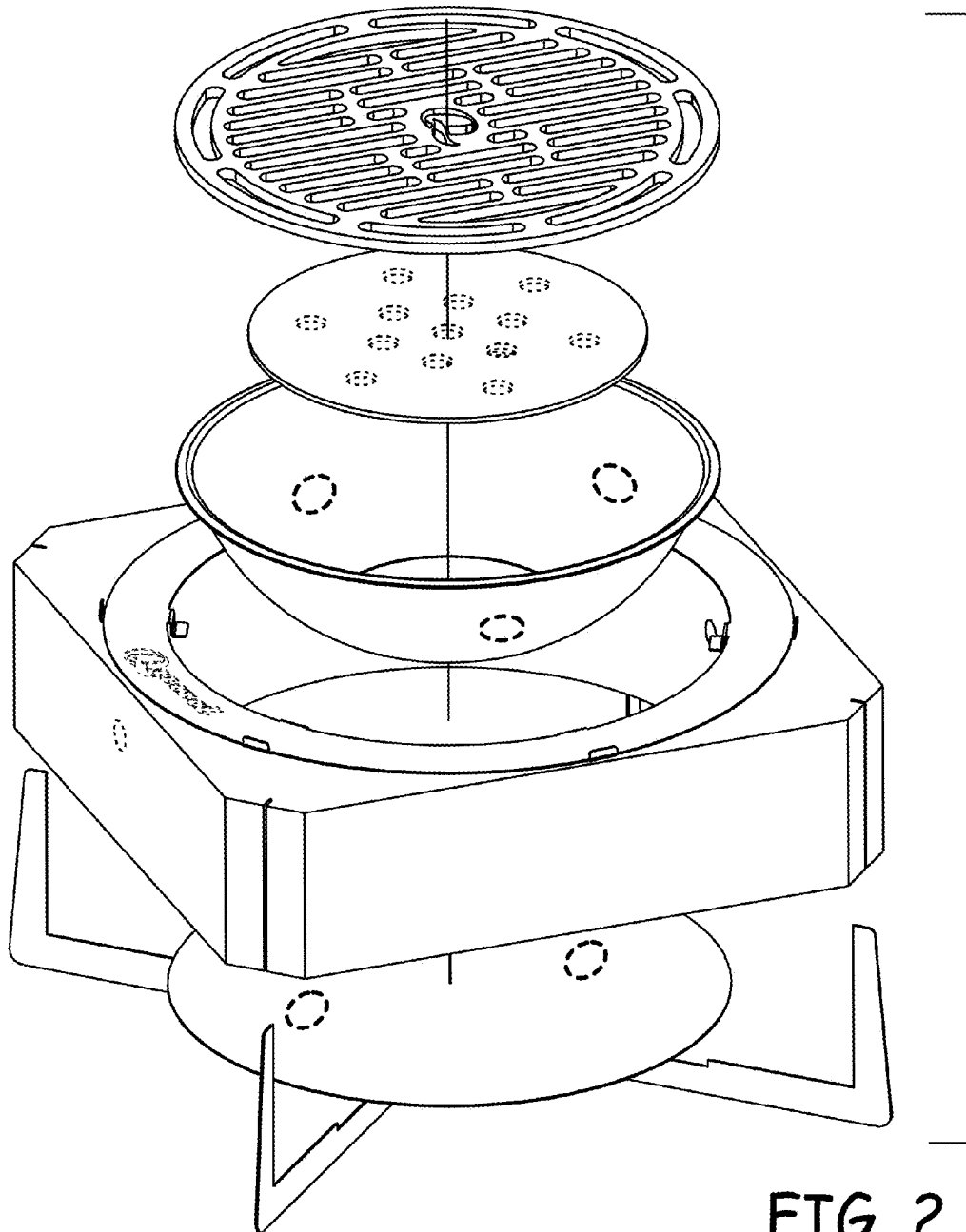


FIG. 2

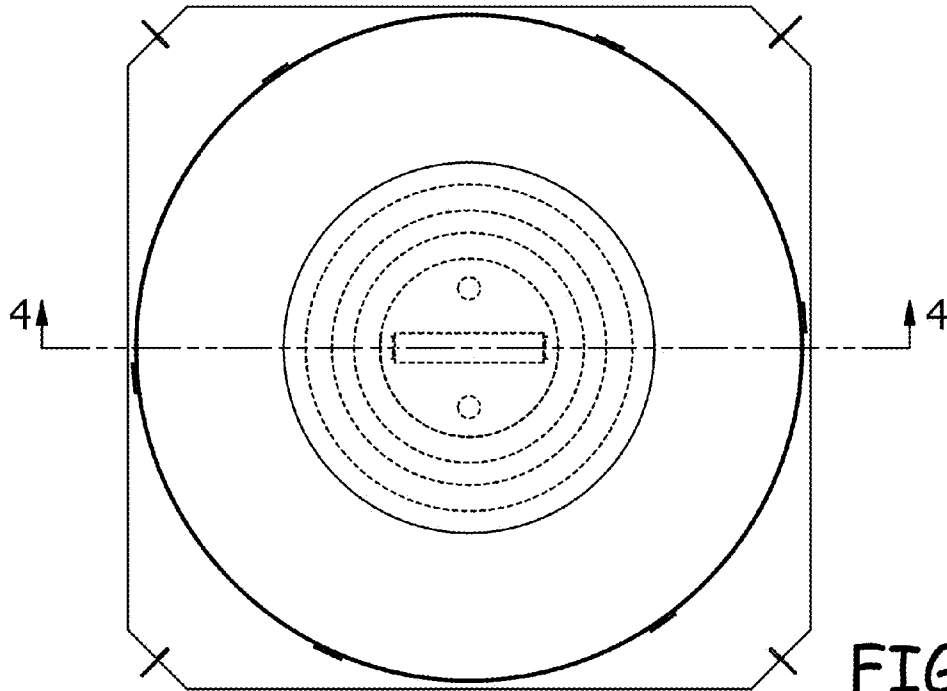


FIG. 3

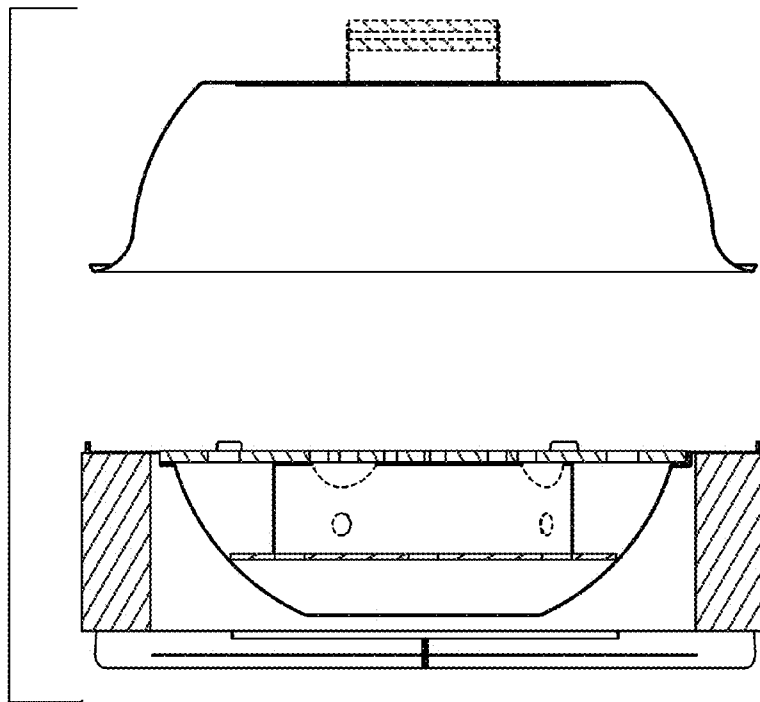


FIG. 4

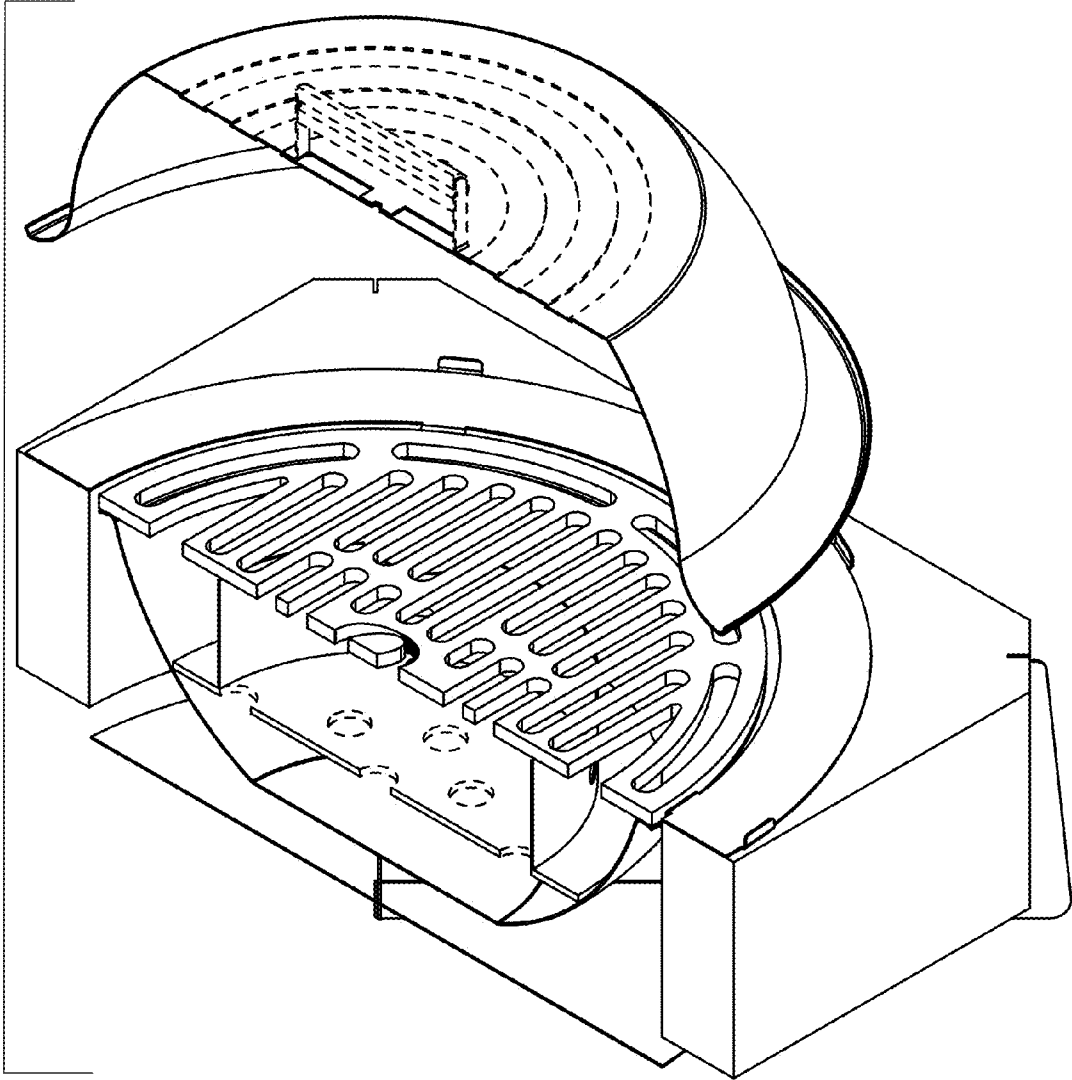


FIG. 5

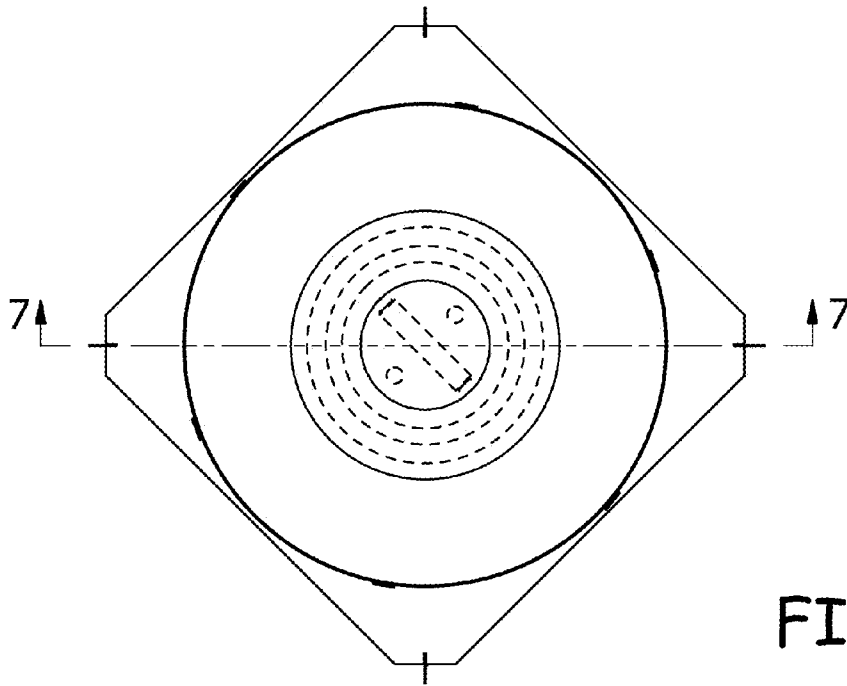


FIG. 6

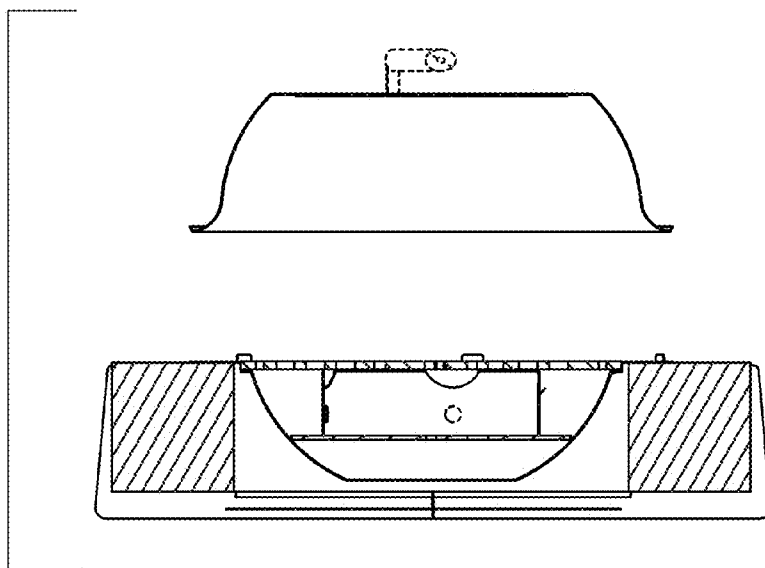


FIG. 7

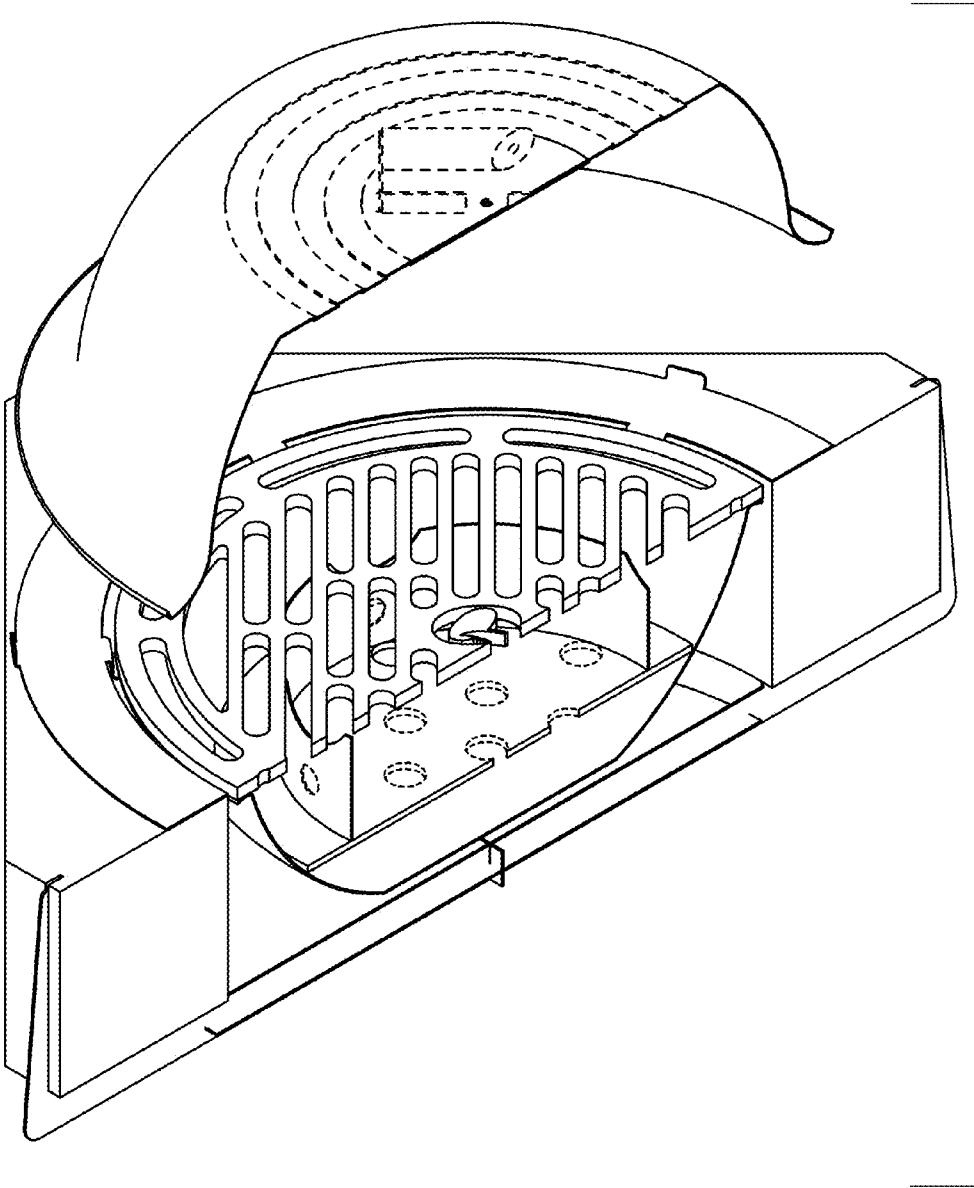


FIG. 8

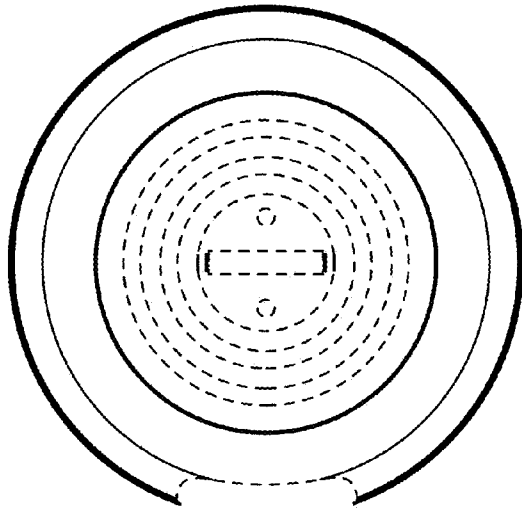


FIG. 9C

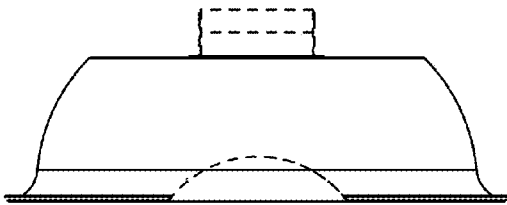


FIG. 9B

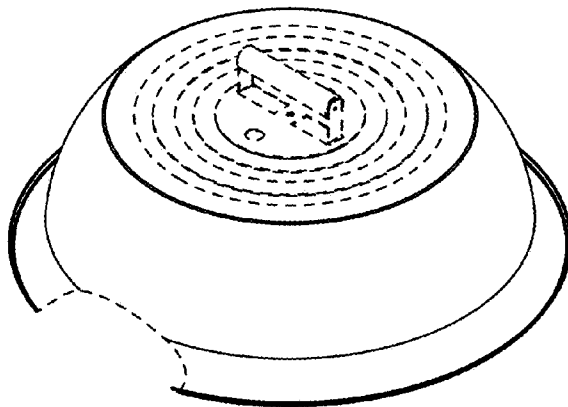


FIG. 9A