



US00D770328S

(12) **United States Design Patent**
Lannan

(10) **Patent No.:** **US D770,328 S**

(45) **Date of Patent:** **** Nov. 1, 2016**

(54) **FLANGEWAY FORMING GUARD BLOCK ASSEMBLY**

2,789,771 A * 4/1957 Bishop E01B 5/18

3,066,869 A * 12/1962 Bishop E01C 9/04
238/338
238/22

(71) Applicant: **Michael Rogers Lannan**, Antioch, IL (US)

(72) Inventor: **Michael Rogers Lannan**, Antioch, IL (US)

* cited by examiner

(**) Term: **15 Years**

Primary Examiner — T. Chase Nelson

(21) Appl. No.: **29/546,868**

Assistant Examiner — Ania Aman

(22) Filed: **Nov. 25, 2015**

(51) **LOC (10) Cl.** **12-03**

(52) **U.S. Cl.**
USPC **D12/49**

(57) **CLAIM**

The ornamental design for a flangeway forming guard block assembly, as shown and described.

(58) **Field of Classification Search**

USPC D12/36-51; D15/126, 135, 136, 138, D15/140, 142, 143; 238/9, 8
CPC E01C 9/04; E01C 9/06; E01B 29/00
See application file for complete search history.

DESCRIPTION

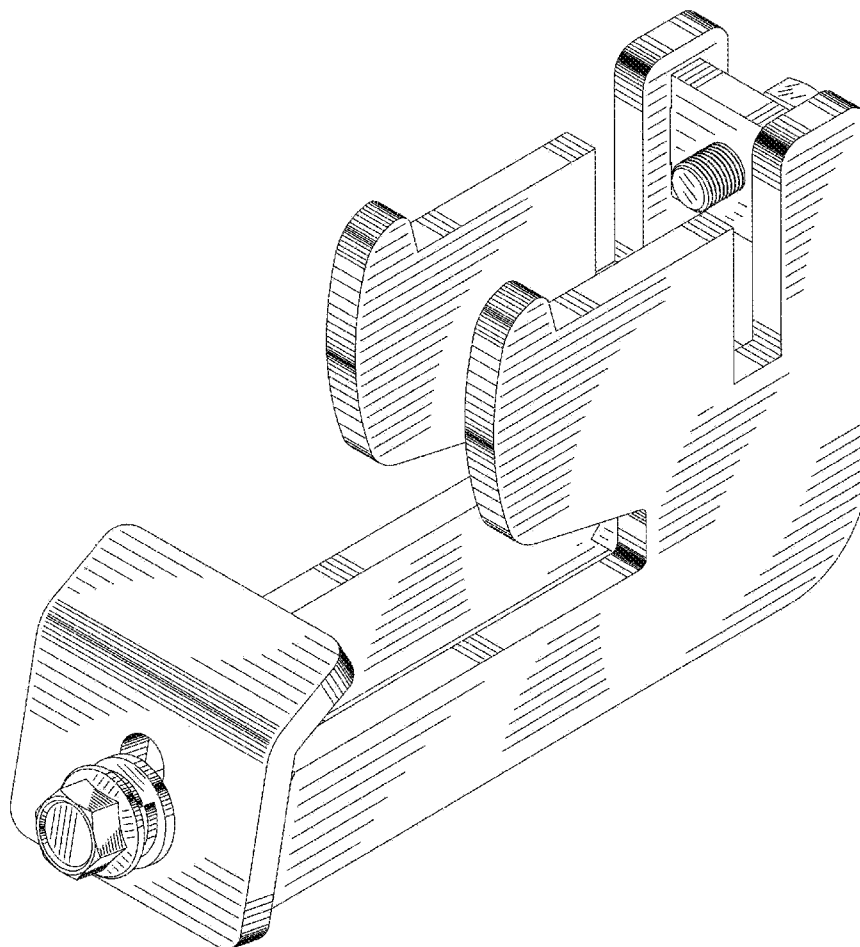
FIG. 1: is a perspective view of my new flangeway forming guard block assembly design; and,
FIG. 2: is a side view of my new flangeway forming guard block assembly design.
In the drawings, the broken lines depict unclaimed environment only and form no part of the claimed design.

(56) **References Cited**

U.S. PATENT DOCUMENTS

1,384,333 A * 7/1921 Orrock E01C 9/04
238/17

1 Claim, 2 Drawing Sheets



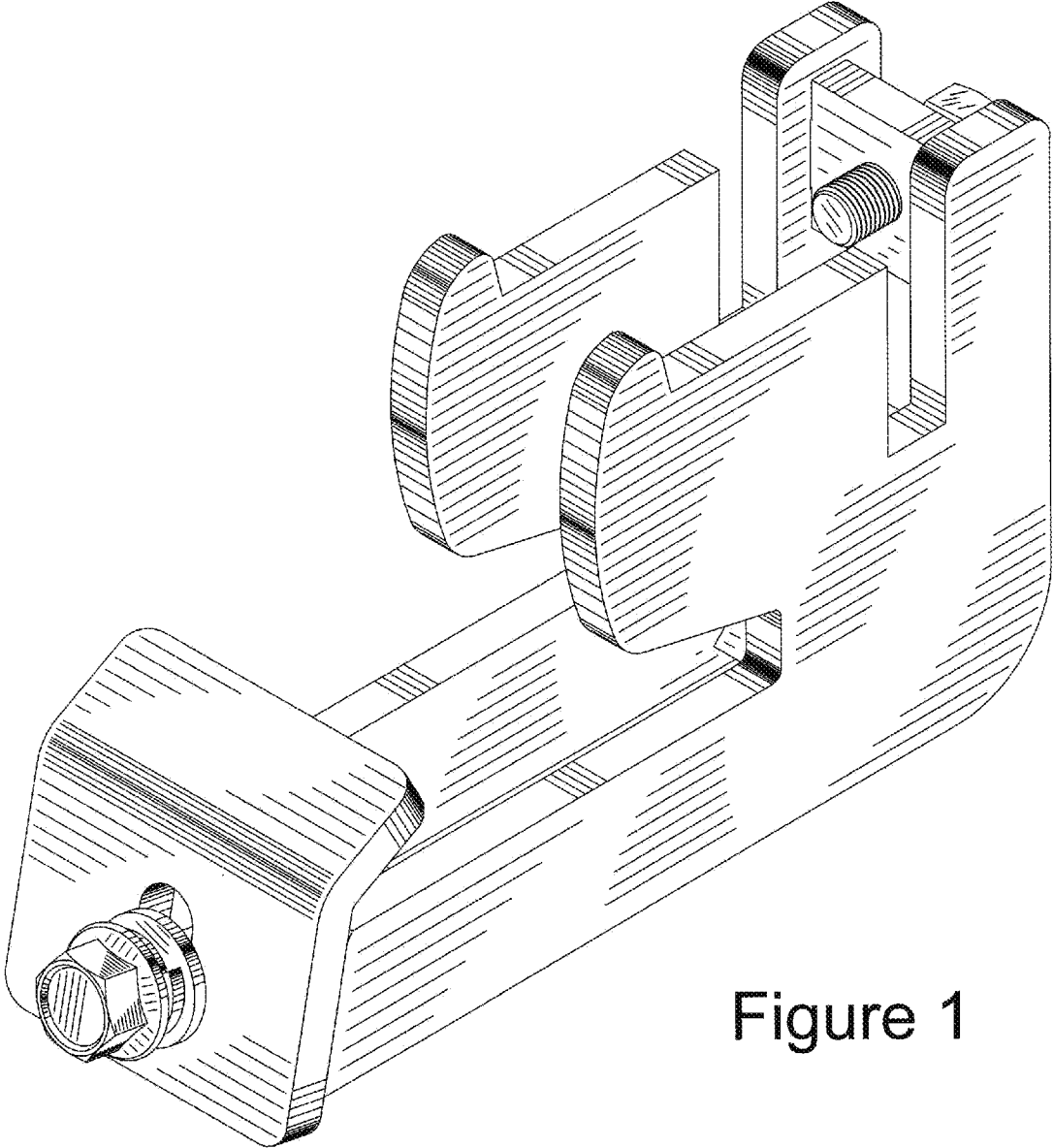


Figure 1

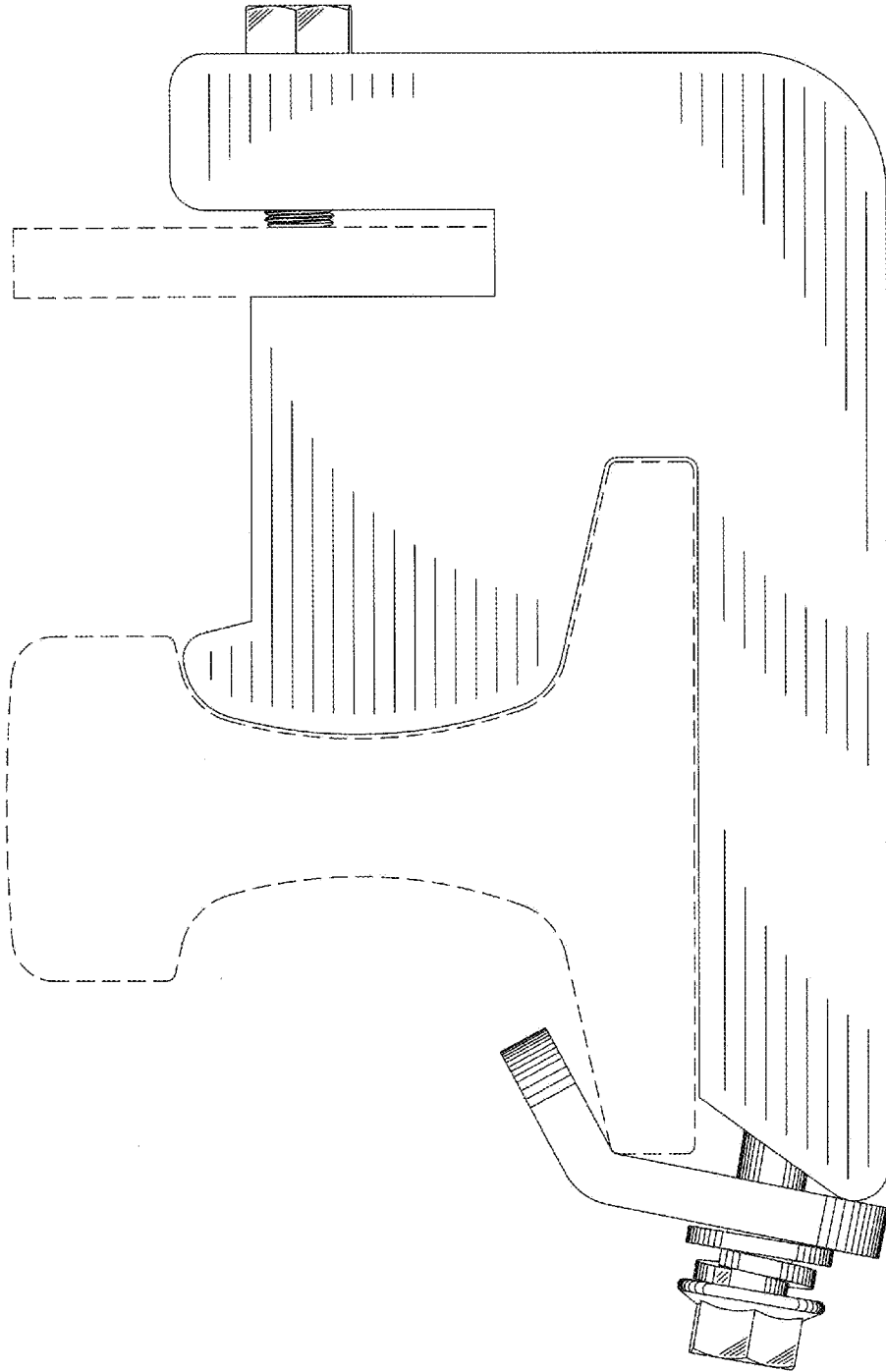


Figure 2