

(19) World Intellectual Property Organization
International Bureau



(43) International Publication Date
24 April 2008 (24.04.2008)

PCT

(10) International Publication Number
WO 2008/048527 A3

- (51) **International Patent Classification:**
A61M 1/00 (2006.01)
- (21) **International Application Number:**
PCT/US2007/021947
- (22) **International Filing Date:** 15 October 2007 (15.10.2007)
- (25) **Filing Language:** English
- (26) **Publication Language:** English
- (30) **Priority Data:**
60/851,494 13 October 2006 (13.10.2006) US
- (71) **Applicant (for all designated States except US):** KCI LICENSING INC. [US/US]; Legal Department - Intellectual Property, P.O. Box 659508, San Antonio, TX 78265-9508 (US).
- (72) **Inventors; and**
- (75) **Inventors/Applicants (for US only):** HEATON, Keith, Patrick [GB/GB]; 3 Clifton Road, Penn Hill, Poole, BH 14 1TY (GB). HARDMAN, Ian, James [GB/GB]; 74 Victoria Avenue, Bournemouth, Dorset BH 9 2RP (GB).
- (74) **Agents:** MASON, Robert, W. et al.; Kinetic Concepts, Inc., P.O. Box 659508, San Antonio, TX 78265-9508 (US).

- (81) **Designated States (unless otherwise indicated, for every kind of national protection available):** AE, AG, AL, AM, AT, AU, AZ, BA, BB, BG, BH, BR, BW, BY, BZ, CA, CH, CN, CO, CR, CU, CZ, DE, DK, DM, DO, DZ, EC, EE, EG, ES, FI, GB, GD, GE, GH, GM, GT, HN, HR, HU, ID, IL, IN, IS, JP, KE, KG, KM, KN, KP, KR, KZ, LA, LC, LK, LR, LS, LT, LU, LY, MA, MD, ME, MG, MK, MN, MW, MX, MY, MZ, NA, NG, NI, NO, NZ, OM, PG, PH, PL, PT, RO, RS, RU, SC, SD, SE, SG, SK, SL, SM, SV, SY, TJ, TM, TN, TR, TT, TZ, UA, UG, US, UZ, VC, VN, ZA, ZM, ZW
- (84) **Designated States (unless otherwise indicated, for every kind of regional protection available):** ARIPO (BW, GH, GM, KE, LS, MW, MZ, NA, SD, SL, SZ, TZ, UG, ZM, ZW), Eurasian (AM, AZ, BY, KG, KZ, MD, RU, TJ, TM), European (AT, BE, BG, CH, CY, CZ, DE, DK, EE, ES, FI, FR, GB, GR, HU, IE, IS, IT, LT, LU, LV, MC, MT, NL, PL, PT, RO, SE, SI, SK, TR), OAPI (BF, BJ, CF, CG, CI, CM, GA, GN, GQ, GW, ML, MR, NE, SN, TD, TG).

Declaration under Rule 4.17:

— as to applicant's entitlement to apply for and be granted a patent (Rule 4.17(U))

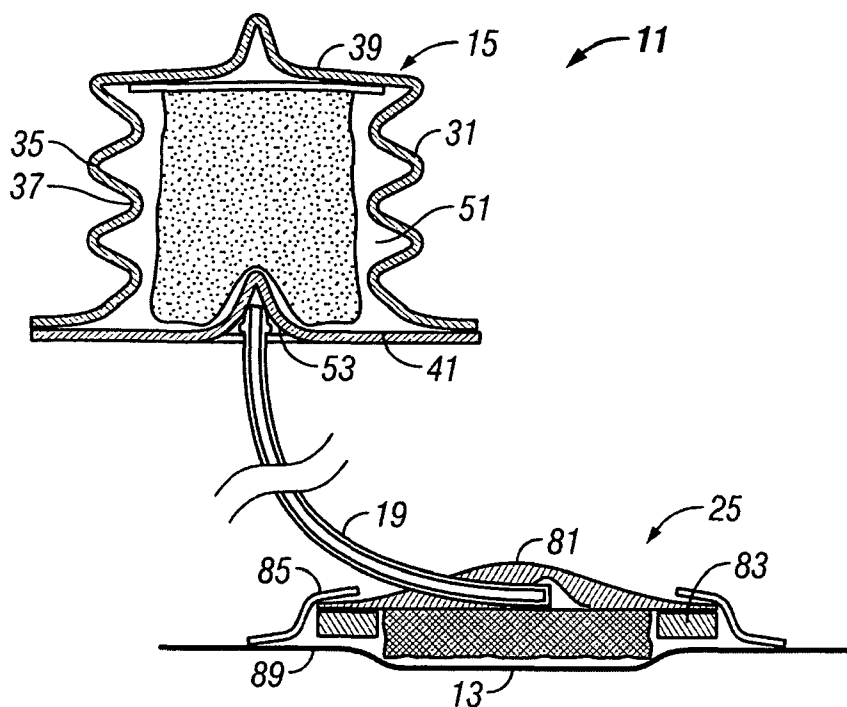
Published:

— with international search report

(88) Date of publication of the international search report:

24 July 2008

(54) **Title:** REDUCED PRESSURE DELIVERY SYSTEM HAVING A MANUALLY-ACTIVATED PUMP FOR PROVIDING TREATMENT TO LOW-SEVERITY WOUNDS



(57) **Abstract:** A manually-activated reduced pressure treatment system includes a substantially rigid housing, and an end cap slidably received by the housing. An inner chamber is disposed between the end cap and housing, and a volume of the inner chamber is variable in amount depending on the position of the end cap within the housing. The end cap is slidably movable between an uncompressed position at which the volume of the inner chamber is at a maximum value and a compressed position at which the volume of the inner chamber is at a minimum value. A position indicating member is associated with the end cap and housing to indicate the position of the end cap relative to the housing at predetermined positions between the uncompressed position and the compressed position.

WO 2008/048527 A3

INTERNATIONAL SEARCH REPORT

International application No
PCT/US2007/021947

A CLASSIFICATION OF SUBJECT MATTER
 IPC(8) - A61 M 1/00 (2008.01)
 USPC - 604/317
 According to International Patent Classification (IPC) or to both national classification and IPC

B FIELDS SEARCHED
 Minimum documentation searched (classification system followed by classification symbols)
 IPC(8) - A61F 13/00, 13/02, 13/15, A61M 1/00, 27/00 (2008 01)
 USPC - 604/133, 212, 317, 319

Documentation searched other than minimum documentation to the extent that such documents are included in the fields searched

Electronic data base consulted during the international search (name of data base and, where practicable, search terms used)
 PatBase, Google

C DOCUMENTS CONSIDERED TO BE RELEVANT

Category*	Citation of document, with indication, where appropriate, of the relevant passages	Relevant to claim No
X	US 4,278,089 A (HUCK et al) 14 July 1981 (14 07 1981) entire document	1, 4, 5
--		--
Y		2, 3, 6, 12, 13, 14,
X	US 4,828,546 A (MCNEIL et al) 09 May 1989 (09 05 1989) entire document	15-18
Y	US 5,718,355 A (GARBY et al) 17 February 1998 (17 02 1998) entire document	2, 3 13, 14
Y	US 3,376,868 A (MONDIADIS) 09 April 1968 (09 04 1968) entire document	6
Y	US 5,102,404 A (GOLDBERG et al) 07 April 1992 (07 04 1992) entire document	7-14, 19, 20
Y	US 7,004,915 B2 (BOYNTON et al) 28 February 2006 (28 02 2006) entire document	7-14, 20
Y	US 5,549,584 A (GROSS) 27 August 1996 (27 08 1996) entire document	10
Y	US 6,648,862 B2 (WATSON) 18 November 2003 (18 11 2003) entire document	11
Y	US 2006/0229586 A1 (FARIES JR) 12 October 2006 (12 10 2006) entire document	19, 20

Further documents are listed in the continuation of Box C

* Special categories of cited documents	"T" later document published after the international filing date or priority date and not in conflict with the application but cited to understand the principle or theory underlying the invention
"A" document defining the general state of the art which is not considered to be of particular relevance	"X" document of particular relevance, the claimed invention cannot be considered novel or cannot be considered to involve an inventive step when the document is taken alone
"E" earlier application or patent but published on or after the international filing date	"Y" document of particular relevance, the claimed invention cannot be considered to involve an inventive step when the document is combined with one or more other such documents, such combination being obvious to a person skilled in the art
"L" document which may throw doubts on priority claim(s) or which is cited to establish the publication date of another citation or other special reason (as specified)	"&" document member of the same patent family
"O" document referring to an oral disclosure, use, exhibition or other means	
"P" document published prior to the international filing date but later than the priority date claimed	

Date of the actual completion of the international search 01 February 2008	Date of mailing of the international search report 02 APR 2008
Name and mailing address of the ISA/US Mail Stop PCT, Attn ISA/US, Commissioner for Patents P O Box 1450, Alexandria, Virginia 22313-1450 Facsimile No 571-273-3201	Authorized officer Blaine R Copenheaver PCT Helpdesk 571 272-4300 PCT OSP 571-272-7774