



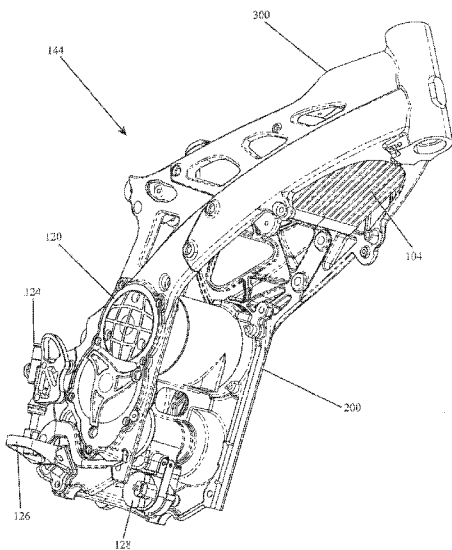
- (51) International Patent Classification:
B62K 11/02 (2006.01)
- (21) International Application Number:
PCT/US2012/048852
- (22) International Filing Date:
30 July 2012 (30.07.2012)
- (25) Filing Language:
English
- (26) Publication Language:
English
- (30) Priority Data:
13/196,534 2 August 2011 (02.08.2011) US
- (71) Applicant (for all designated States except US): **FASTER
FASTER INC.** [US/US]; 1398 Bryant St., San Francisco,
CA 94103 (US).
- (72) Inventors; and
- (75) Inventors/Applicants (for US only): **SAND, Jeff** [US/US];
c/o FASTER FASTER INC., 1398 Bryant St., San Francisco, CA
94103 (US). **DORRESTEYN, Derek** [US/US]; c/o FASTER
FASTER INC., 1398 Bryant St., San Francisco, CA 94103
(US). **DRENNAN, David, John** [US/US]; c/o FASTER
FASTER INC., 1398 Bryant St., San Francisco, CA 94103
(US).

- (74) Agents: **FARN, Michael, W.** et al.; Fenwich & West LLP,
Silicon Valley Center, 801 California Street, Mountain
View, CA 94041 (US).
- (81) Designated States (unless otherwise indicated, for every
kind of national protection available): AE, AG, AL, AM,
AO, AT, AU, AZ, BA, BB, BG, BH, BN, BR, BW, BY,
BZ, CA, CH, CL, CN, CO, CR, CU, CZ, DE, DK, DM,
DO, DZ, EC, EE, EG, ES, FI, GB, GD, GE, GH, GM, GT,
HN, HR, HU, ID, IL, IN, IS, JP, KE, KG, KM, KN, KP,
KR, KZ, LA, LC, LK, LR, LS, LT, LU, LY, MA, MD,
ME, MG, MK, MN, MW, MX, MY, MZ, NA, NG, NI,
NO, NZ, OM, PE, PG, PH, PL, PT, QA, RO, RS, RU, RW,
SC, SD, SE, SG, SK, SL, SM, ST, SV, SY, TH, TJ, TM,
TN, TR, TT, TZ, UA, UG, US, UZ, VC, VN, ZA, ZM,
ZW.
- (84) Designated States (unless otherwise indicated, for every
kind of regional protection available): ARIPO (BW, GH,
GM, KE, LR, LS, MW, MZ, NA, RW, SD, SL, SZ, TZ,
UG, ZM, ZW), Eurasian (AM, AZ, BY, KG, KZ, RU, TJ,
TM), European (AL, AT, BE, BG, CH, CY, CZ, DE, DK,
EE, ES, FI, FR, GB, GR, HR, HU, IE, IS, IT, LT, LU, LV,
MC, MK, MT, NL, NO, PL, PT, RO, RS, SE, SI, SK, SM,
TR), OAPI (BF, BJ, CF, CG, CI, CM, GA, GN, GQ, GW,
ML, MR, NE, SN, TD, TG).

[Continued on next page]

(54) Title: INTEGRATED CAST MOTORCYCLE CHASSIS AND MOTOR HOUSING

Fig. 3



(57) Abstract: The current invention relates to a vehicle frame, or chassis, and its manufacture. In one embodiment the frame comprises two cast aluminum structures that can be bolted together. The frame structures can each be cast in one piece and finish machined with one fixturing. The frame casting can include an integral motor housing that may be fully stressed and act as a torsion tube.

WO 2013/019727 A3

Published:

— *with international search report (Art. 21(3))*

(88) Date of publication of the international search report:

8 May 2014

INTERNATIONAL SEARCH REPORT

International application No.
PCT/US2012/048852

A. CLASSIFICATION OF SUBJECT MATTER IPC(8) - B62K 11/02 (2012.01) USPC - 180/220 According to International Patent Classification (IPC) or to both national classification and IPC		
B. FIELDS SEARCHED Minimum documentation searched (classification system followed by classification symbols) IPC(8) - B60K 1/02, 11/02; B62K 11/00, 11/02, 19/12, 19/30 (2012.01) USPC - 180/65.1, 65.6, 68.5, 216, 220, 227, 229, 230; 310/52, 54, 58, 64 Documentation searched other than minimum documentation to the extent that such documents are included in the fields searched Electronic data base consulted during the international search (name of data base and, where practicable, search terms used) PatBase		
C. DOCUMENTS CONSIDERED TO BE RELEVANT		
Category*	Citation of document, with indication, where appropriate, of the relevant passages	Relevant to claim No.
X	JP 5105176 A (YOSHINORI) 27 April 1993 (27.04.1993) entire document	1, 2
X	US 5,360,078 A (RIFENBURG et al) 01 November 1994 (01.11.1994) entire document	3-5, 13, 16-18
A	US 2011/0036657 A1 (BLAND et al) 17 February 2011 (17.02.2011) entire document	1-27
A	US 2010/0018787 A1 (PLAZOTTA et al) 28 January 2010 (28.01.2010) entire document	1-27
A	US 2011/0175467 A1 (BELTON) 21 July 2011 (21.07.2011) entire document	1-27
A	US 5,501,292 A (KAWASHIMA et al) 26 March 1996 (26.03.1996) entire document	1-27
<input type="checkbox"/> Further documents are listed in the continuation of Box C. <input type="checkbox"/>		
* Special categories of cited documents: "A" document defining the general state of the art which is not considered to be of particular relevance "E" earlier application or patent but published on or after the international filing date "L" document which may throw doubts on priority claim(s) or which is cited to establish the publication date of another citation or other special reason (as specified) "O" document referring to an oral disclosure, use, exhibition or other means "P" document published prior to the international filing date but later than the priority date claimed "T" later document published after the international filing date or priority date and not in conflict with the application but cited to understand the principle or theory underlying the invention "X" document of particular relevance; the claimed invention cannot be considered novel or cannot be considered to involve an inventive step when the document is taken alone "Y" document of particular relevance; the claimed invention cannot be considered to involve an inventive step when the document is combined with one or more other such documents, such combination being obvious to a person skilled in the art "&" document member of the same patent family		
Date of the actual completion of the international search 26 September 2012		Date of mailing of the international search report <div style="font-size: 2em; font-weight: bold; text-align: center;">10 OCT 2012</div>
Name and mailing address of the ISA/US Mail Stop PCT, Attn: ISA/US, Commissioner for Patents P.O. Box 1450, Alexandria, Virginia 22313-1450 Facsimile No. 571-273-3201		Authorized officer: Blaine R. Copenheaver PCT Helpdesk: 571-272-4300 PCT OSP: 571-272-7774