



US00D523039S

(12) **United States Design Patent**  
**Niebauer et al.**

(10) **Patent No.:** **US D523,039 S**

(45) **Date of Patent:** **\*\* Jun. 13, 2006**

(54) **CUTTING INSERT**

D413,612 S \* 9/1999 Hartlohner et al. .... D15/139  
D435,570 S \* 12/2000 Hartlohner et al. .... D15/139

(75) Inventors: **Kenneth L. Niebauer**, Ligonier, PA (US); **Richard A. Uhal**, McKeesport, PA (US)

\* cited by examiner

*Primary Examiner*—Antoine D. Davis  
*Assistant Examiner*—Patricia Palasik  
(74) *Attorney, Agent, or Firm*—Larry R. Meenan

(73) Assignee: **Kennametal Inc.**, Latrobe, PA (US)

(\*\*) Term: **14 Years**

(57) **CLAIM**

(21) Appl. No.: **29/224,273**

The ornamental design for a cutting insert, as shown and described.

(22) Filed: **Feb. 28, 2005**

(51) **LOC (8) Cl.** ..... **15-09**

(52) **U.S. Cl.** ..... **D15/139**

(58) **Field of Classification Search** ..... D15/138,  
D15/139; 407/35, 42, 112–119  
See application file for complete search history.

**DESCRIPTION**

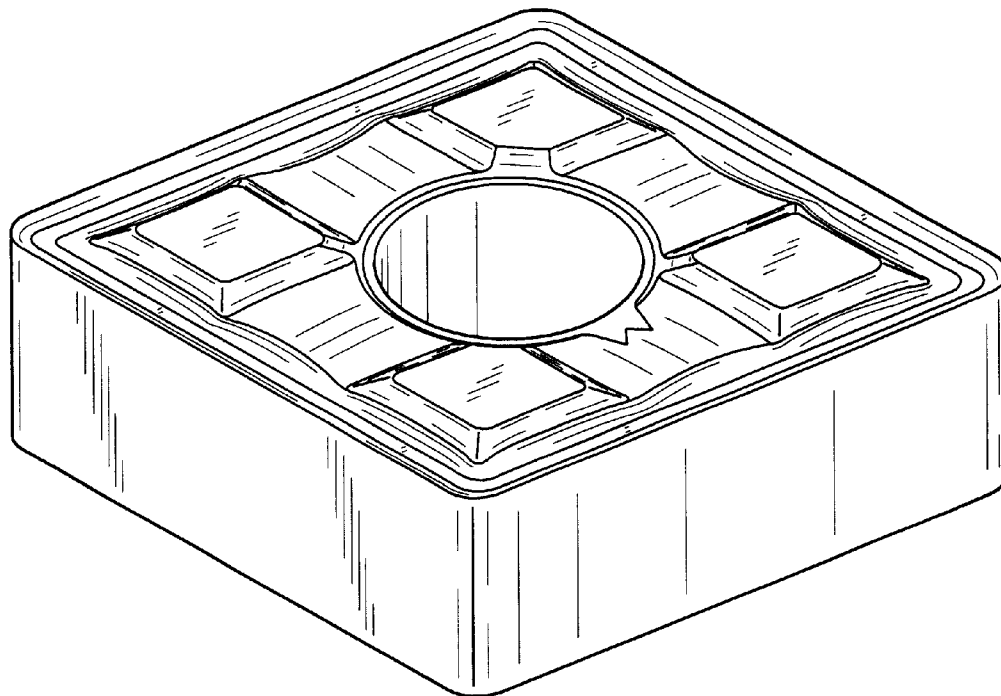
FIG. 1 is a perspective view of a cutting insert showing our new design;  
FIG. 2 is a side view of the cutting insert of FIG. 1;  
FIG. 3 is another side view of the cutting insert of FIG. 1;  
FIG. 4 is a top view of the cutting insert of FIG. 1; and,  
FIG. 5 is a bottom view of the cutting insert of FIG. 1.

(56) **References Cited**

**U.S. PATENT DOCUMENTS**

5,628,590 A \* 5/1997 Beeghly et al. .... 407/114

**1 Claim, 3 Drawing Sheets**



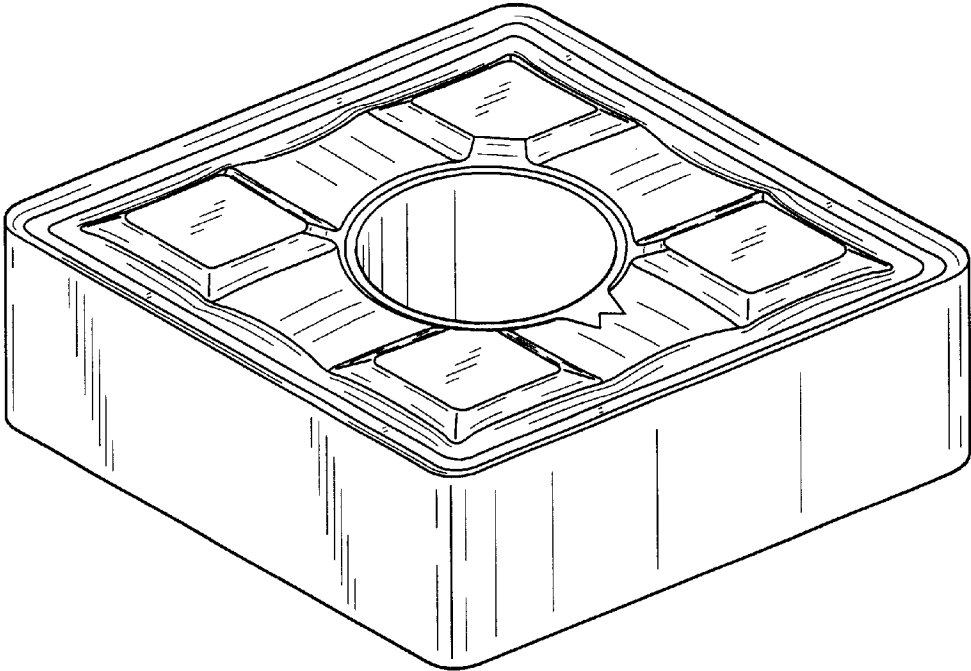


FIG. 1

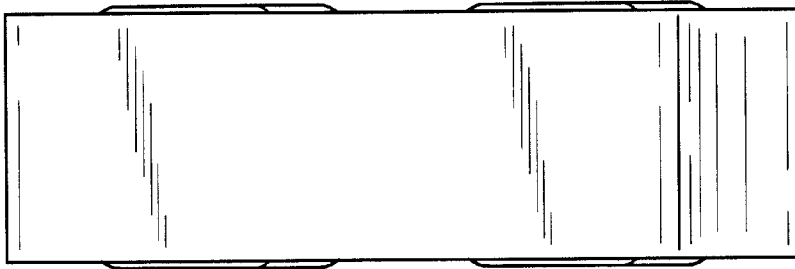


FIG. 2

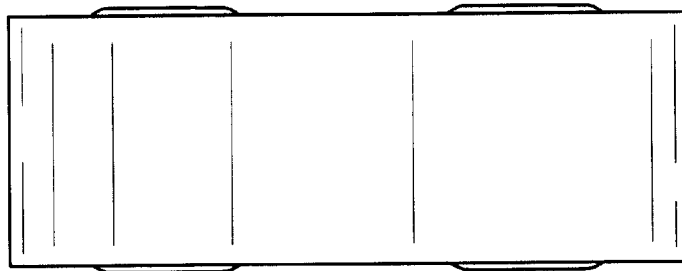


FIG. 3

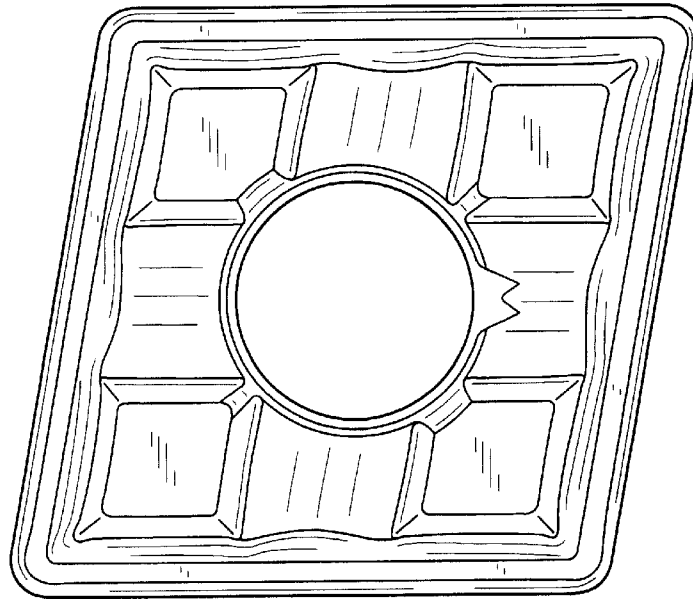


FIG. 4

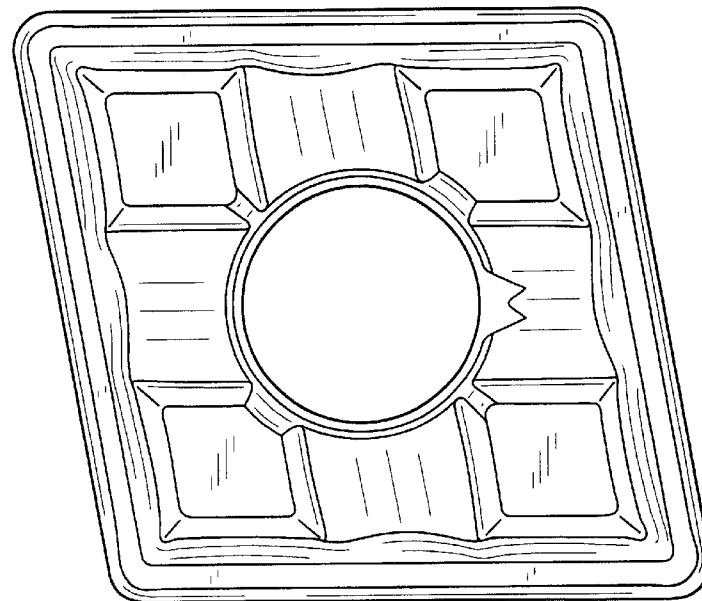


FIG. 5