



US00D802416S

(12) **United States Design Patent**
Horn

(10) **Patent No.:** **US D802,416 S**

(45) **Date of Patent:** **** Nov. 14, 2017**

(54) **CAP WITH HINGED LID, WRITE-ON SURFACE AND WRITING IMPLEMENT HOLDER**

2015/0047998 A1* 2/2015 Horn B65D 67/02
206/459.5
2015/0108016 A1* 4/2015 Horn A61J 1/00
206/232
2015/0108027 A1* 4/2015 Horn A61J 7/04
206/459.1

(71) Applicant: **Kimberlee Ann Horn**, Crawfordsville, IN (US)

* cited by examiner

(72) Inventor: **Kimberlee Ann Horn**, Crawfordsville, IN (US)

Primary Examiner — Robert M Spear
Assistant Examiner — Darcey E Heflin

(**) Term: **15 Years**

(74) *Attorney, Agent, or Firm* — James Ray and Assocs; Alexander Pokot

(21) Appl. No.: **29/571,724**

(57) **CLAIM**

The ornamental design for a cap with hinged lid, write-on surface and writing implement holder, as shown and described.

(22) Filed: **Jul. 21, 2016**

DESCRIPTION

(51) **LOC (10) CL.** **09-07**

(52) **U.S. Cl.**

USPC **D9/436**

(58) **Field of Classification Search**

USPC D7/300.2, 305, 316, 397, 510, 635;
D9/434–436, 438, 439, 440, 443, 447,
D9/449, 450, 454, 499, 715, 717, 718,
D9/719; D23/260, 269, 390

CPC B65D 23/12; B65D 51/18; B65D 25/20
See application file for complete search history.

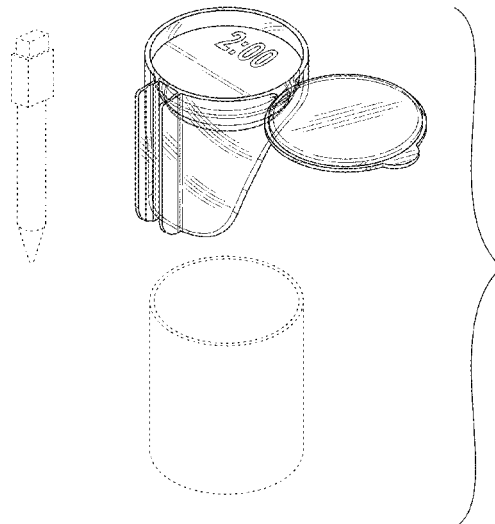
FIG. 1 depicts a perspective view of a cap showing my new design with a hinged lid in one open position. FIG. 2 depicts a front view of the cap of FIG. 1. FIG. 3 depicts a rear view of the cap in FIG. 1. FIG. 4 depicts a right view of the cap in FIG. 1. FIG. 5 depicts a left side view of the cap in FIG. 1. FIG. 6 depicts a top view of the cap in FIG. 1. FIG. 7 depicts a bottom view of the cap in FIG. 1. FIG. 8 depicts another perspective view of the cap in FIG. 1 with the hinged lid in a closed position. FIG. 9 is a front view of the cap of FIG. 8. FIG. 10 depicts a top view of the cap in FIG. 8. FIG. 11 depicts a front view of the cap of FIG. 1 with the hinged lid in one open position. FIG. 12 depicts a front view of the cap of FIG. 1 with the hinged lid in one open position. FIG. 13 depicts a front view of the cap of FIG. 1 with the hinged lid in one open position; and, FIG. 14 depicts an exploded perspective view of the cap in FIG. 1 in an environment of use. In the drawings, the broken lines depict environmental elements of the cap and form no part of the claim.

(56) **References Cited**

U.S. PATENT DOCUMENTS

D380,674	S	*	7/1997	Smith	D9/717
D589,793	S	*	4/2009	Christensen	D9/434
D612,237	S	*	3/2010	Richey	D9/447
D630,405	S	*	1/2011	Healy	D34/10
D707,492	S	*	6/2014	George	D7/510
D733,418	S	*	7/2015	Horn	D3/203.2
D746,679	S	*	1/2016	Jasso Gomez	D9/443
D747,157	S	*	1/2016	Pasho	D7/620
D752,381	S	*	3/2016	Wahl	D7/392.1
2014/0209489	A1	*	7/2014	Horn	B65D 25/20 206/216

1 Claim, 5 Drawing Sheets



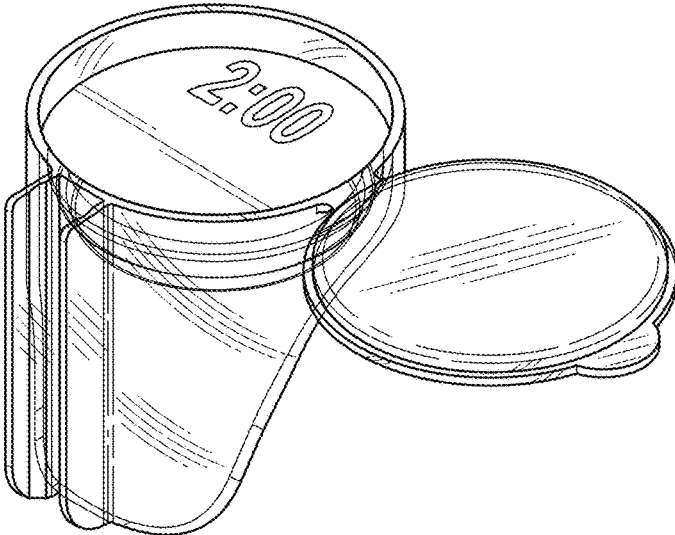


FIG. 1

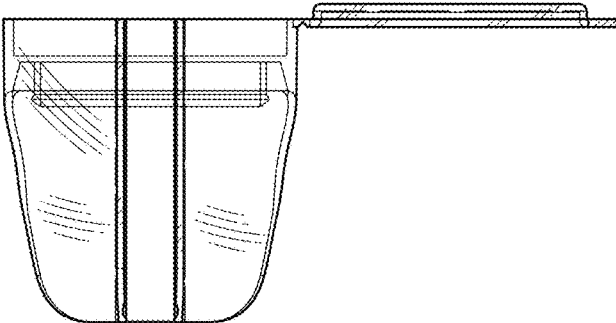


FIG. 2

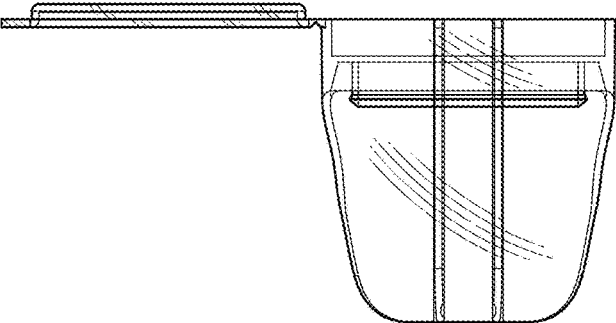


FIG. 3

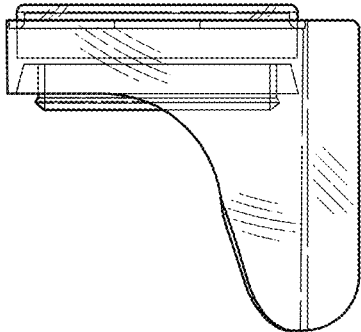


FIG. 4

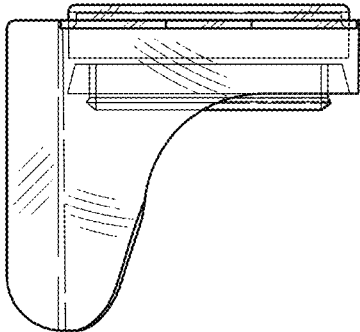


FIG. 5

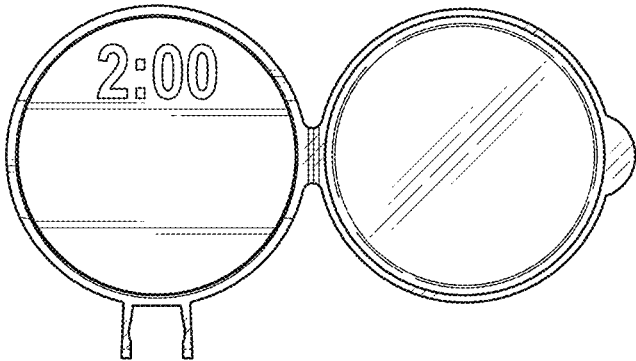


FIG. 6

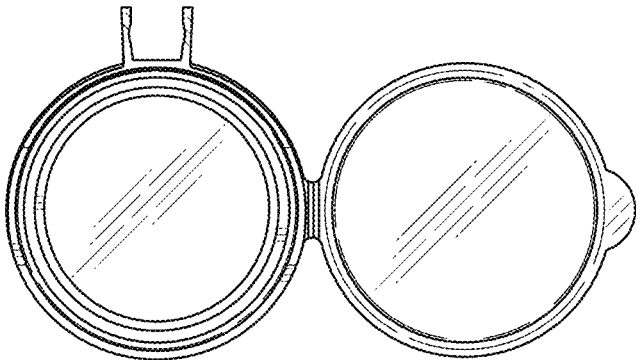


FIG. 7

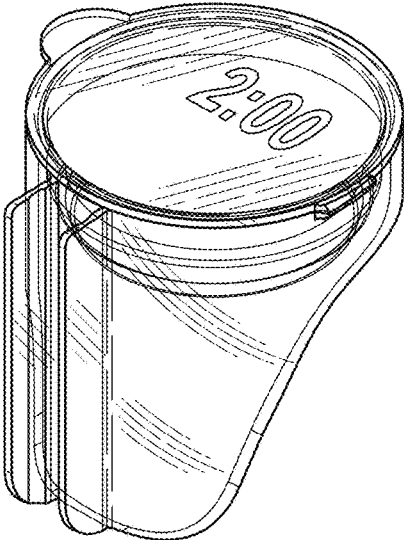


FIG. 8

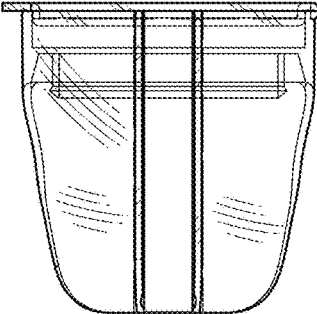


FIG. 9

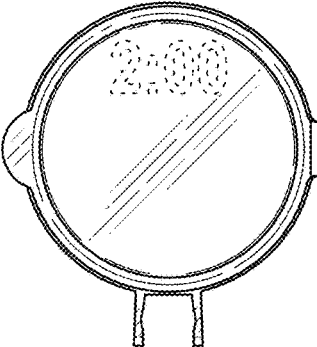


FIG. 10

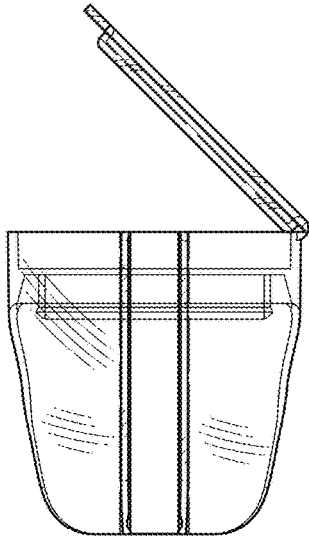


FIG. 11

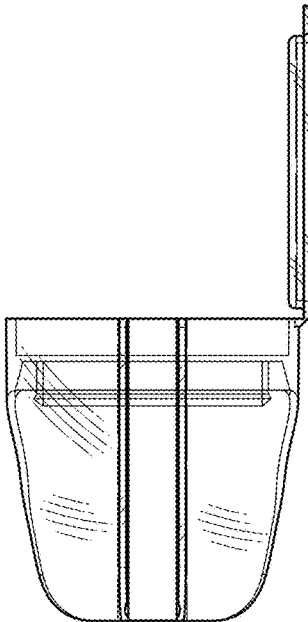


FIG. 12

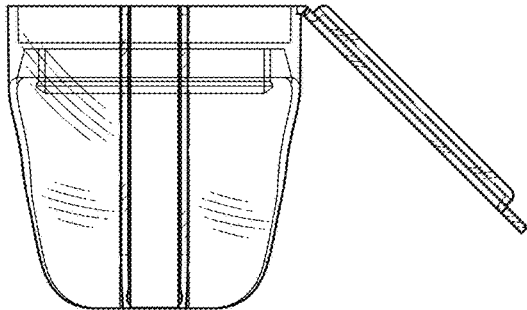


FIG. 13

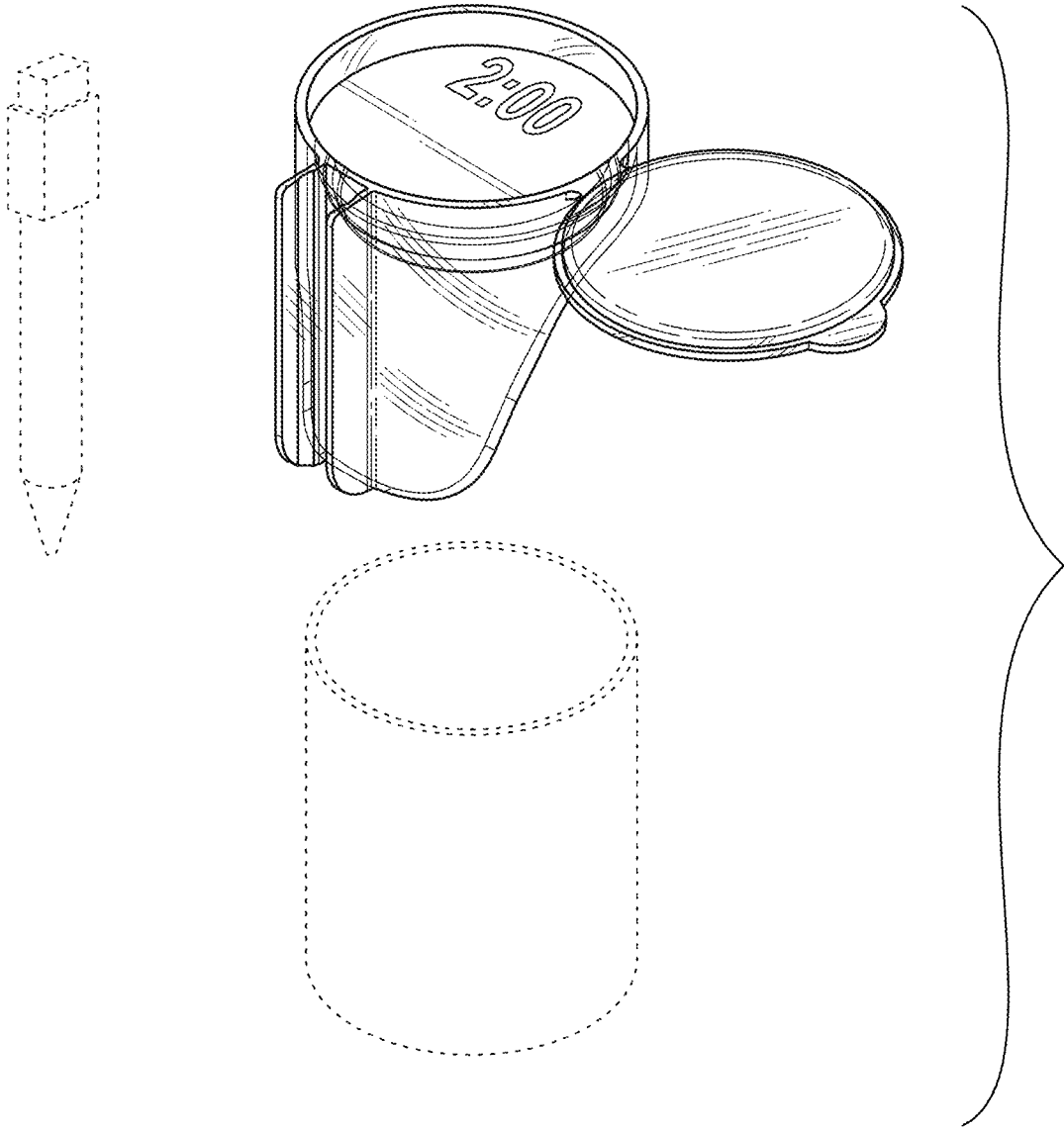


FIG. 14