



US00D435969S

(12) **United States Design Patent**
Sonntag

(10) **Patent No.:** **US D435,969 S**

(45) **Date of Patent:** **** Jan. 9, 2001**

(54) **LID FOR BOX**

(75) Inventor: **John-Erik Sonntag, Tammisaari (FI)**

(73) Assignee: **Fibox Oy AB, Jorvas (FI)**

(**) Term: **14 Years**

(21) Appl. No.: **29/108,769**

(22) Filed: **Aug. 4, 1999**

(30) **Foreign Application Priority Data**

Feb. 5, 1999 (FI) M19990104

(51) **LOC (7) Cl.** **03-01**

(52) **U.S. Cl.** **D3/318**

(58) **Field of Search** D3/318, 323, 321,
D3/302, 326; D9/423, 424, 425, 432; 206/503,
508; 220/339, 355, 356

(56) **References Cited**

U.S. PATENT DOCUMENTS

- D. 348,394 * 7/1994 Dreyer D9/425
- D. 363,557 * 10/1995 Lindgren et al. D25/52
- D. 363,663 * 10/1995 Plater D9/425

- D. 377,865 * 2/1997 Kristoffersson D3/326
- D. 404,920 * 2/1999 Long et al. D3/318
- 5,366,104 * 11/1994 Armstrong 220/339

* cited by examiner

Primary Examiner—Louis S. Zarfes

Assistant Examiner—Catherine R. Oliver

(74) *Attorney, Agent, or Firm*—Finnegan, Henderson, Farabow, Garrett, & Dunner, L.L.P.

(57) **CLAIM**

The ornamental design for a lid for box, as shown and described.

DESCRIPTION

FIG. 1 is a perspective front view of a lid for box showing my new design;

FIG. 2 is a perspective rear view thereof;

FIG. 3 is a front view thereof;

FIG. 4 is a left side view thereof;

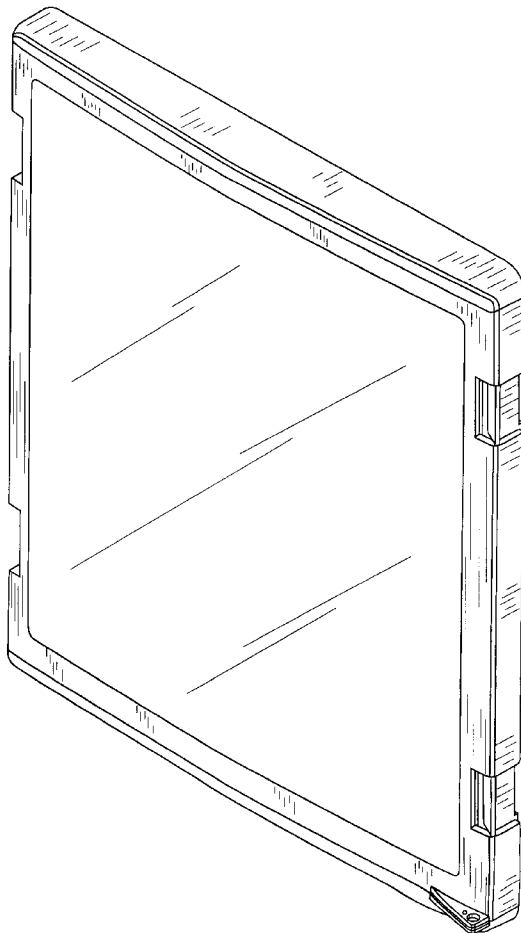
FIG. 5 is a right side view thereof;

FIG. 6 is a top view thereof;

FIG. 7 is a bottom view thereof; and,

FIG. 8 is a rear view.

1 Claim, 6 Drawing Sheets



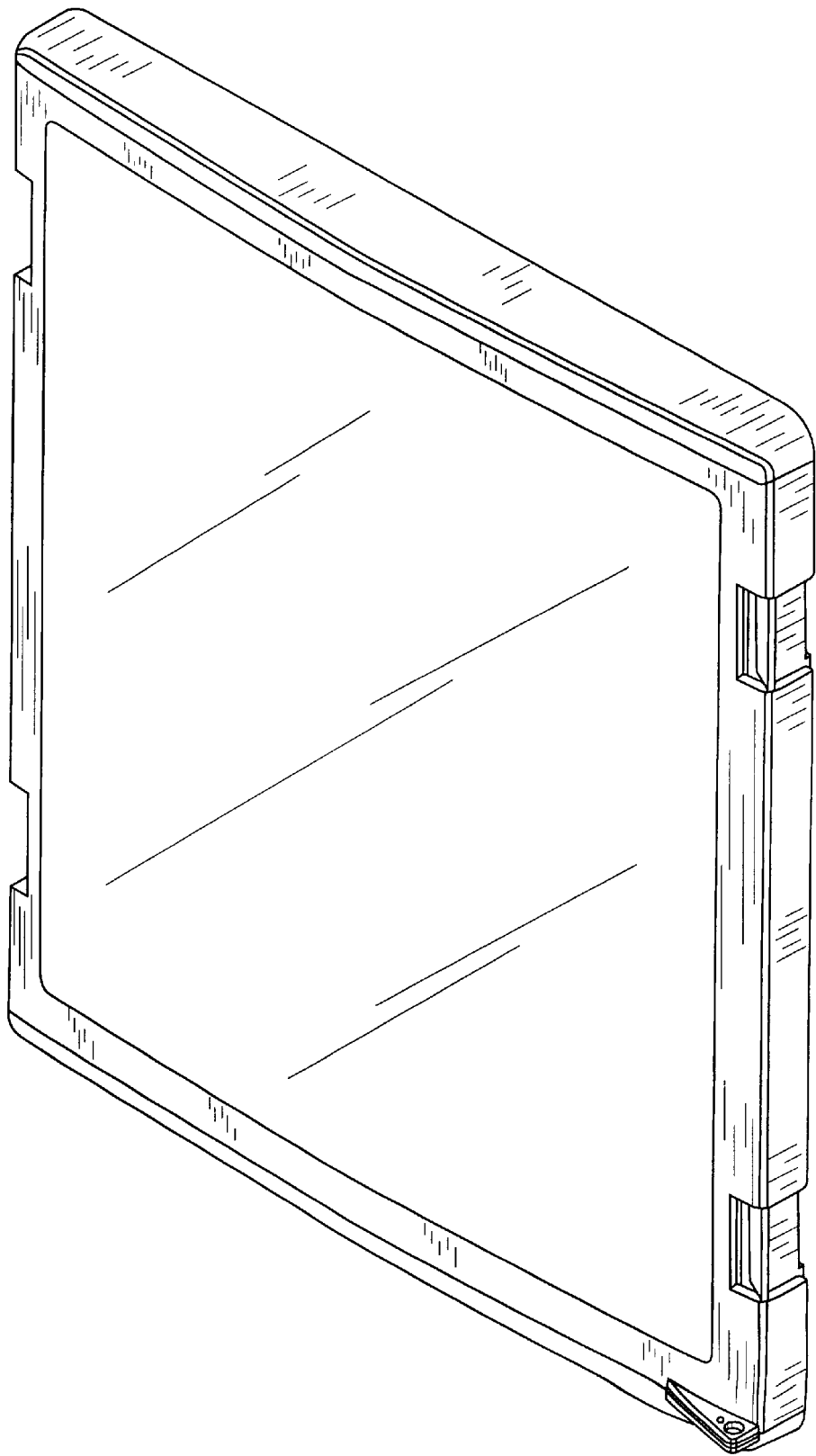


FIG. 1

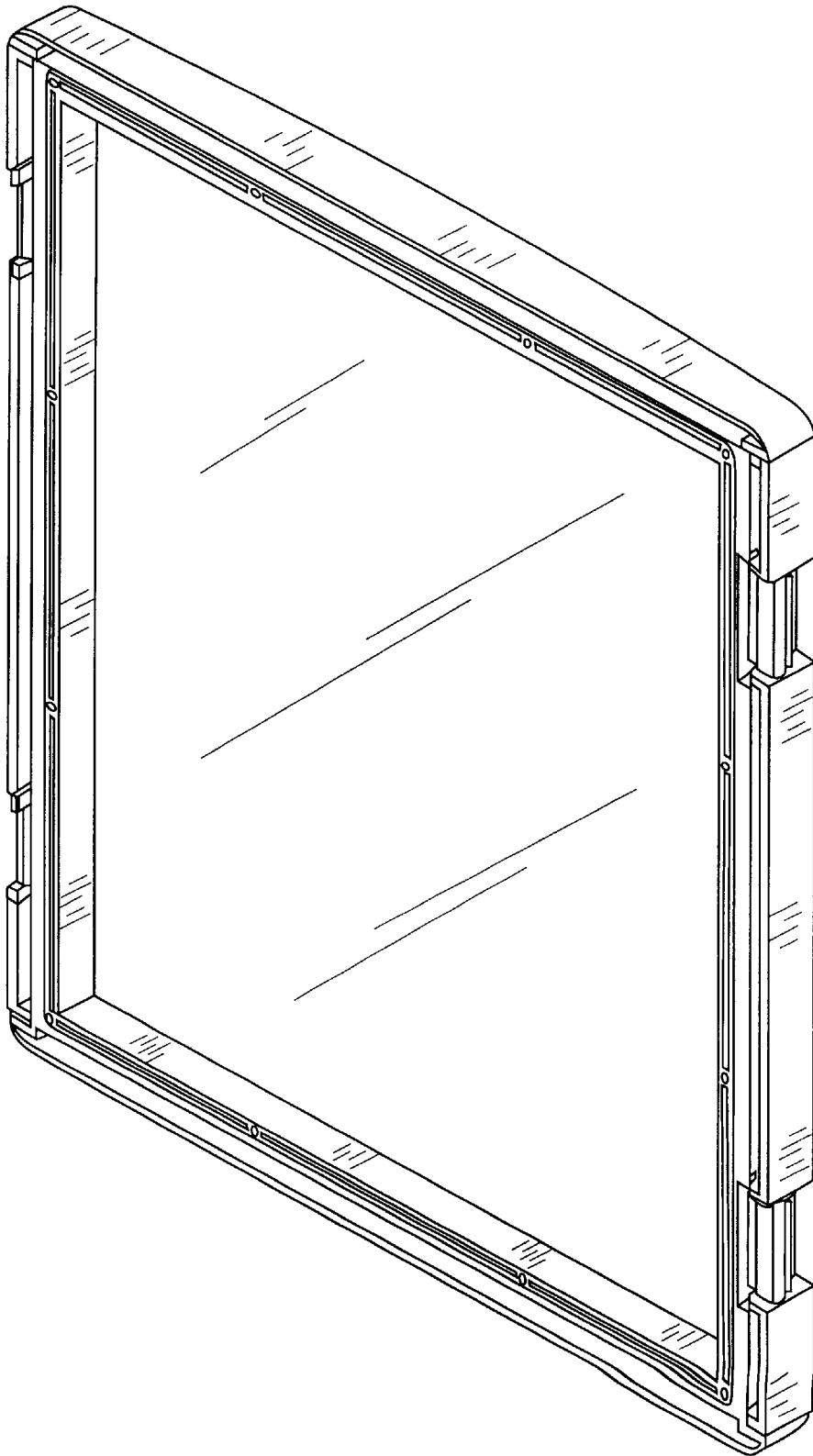


FIG. 2

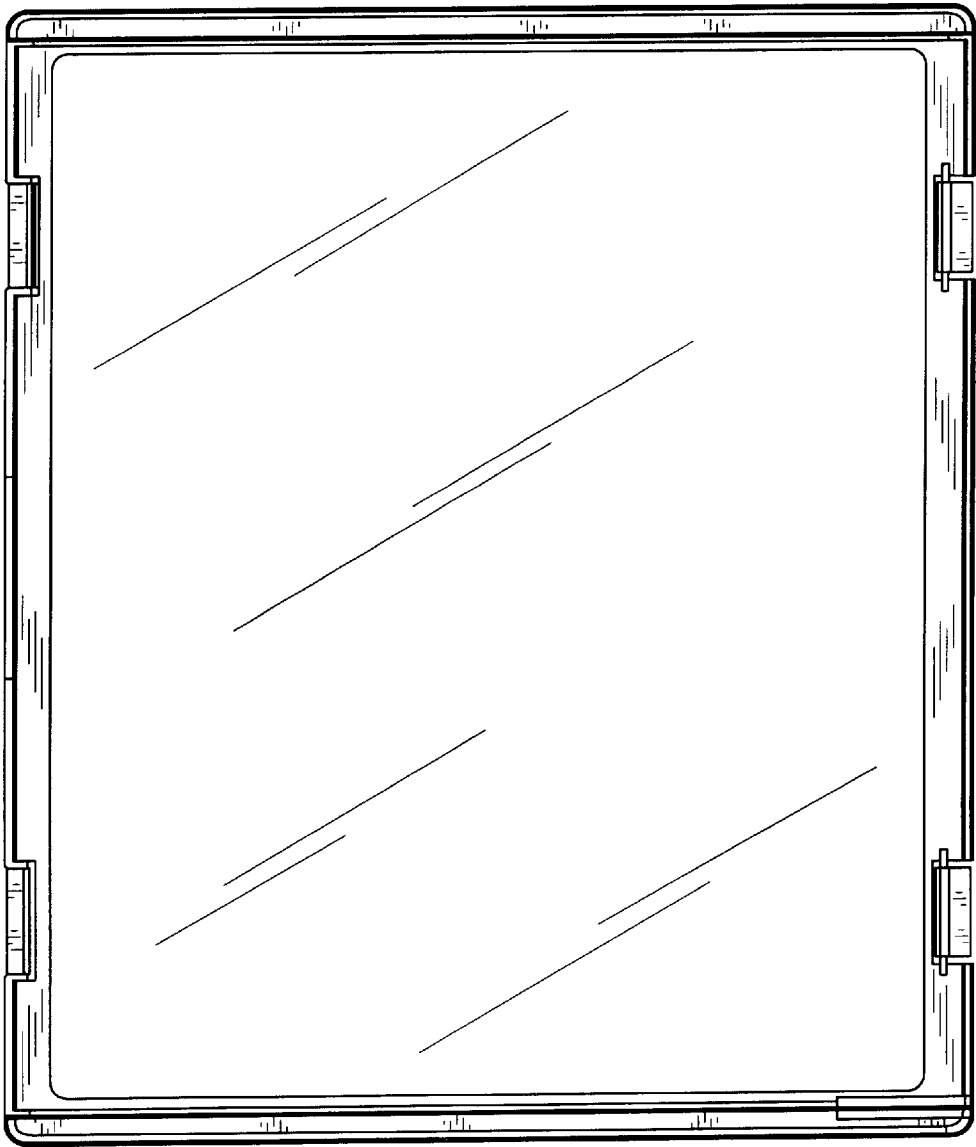


FIG. 3



FIG. 4

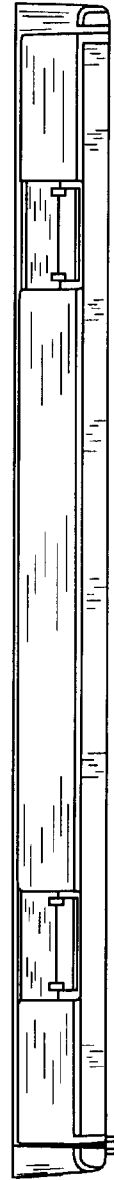


FIG. 5



FIG. 6



FIG. 7

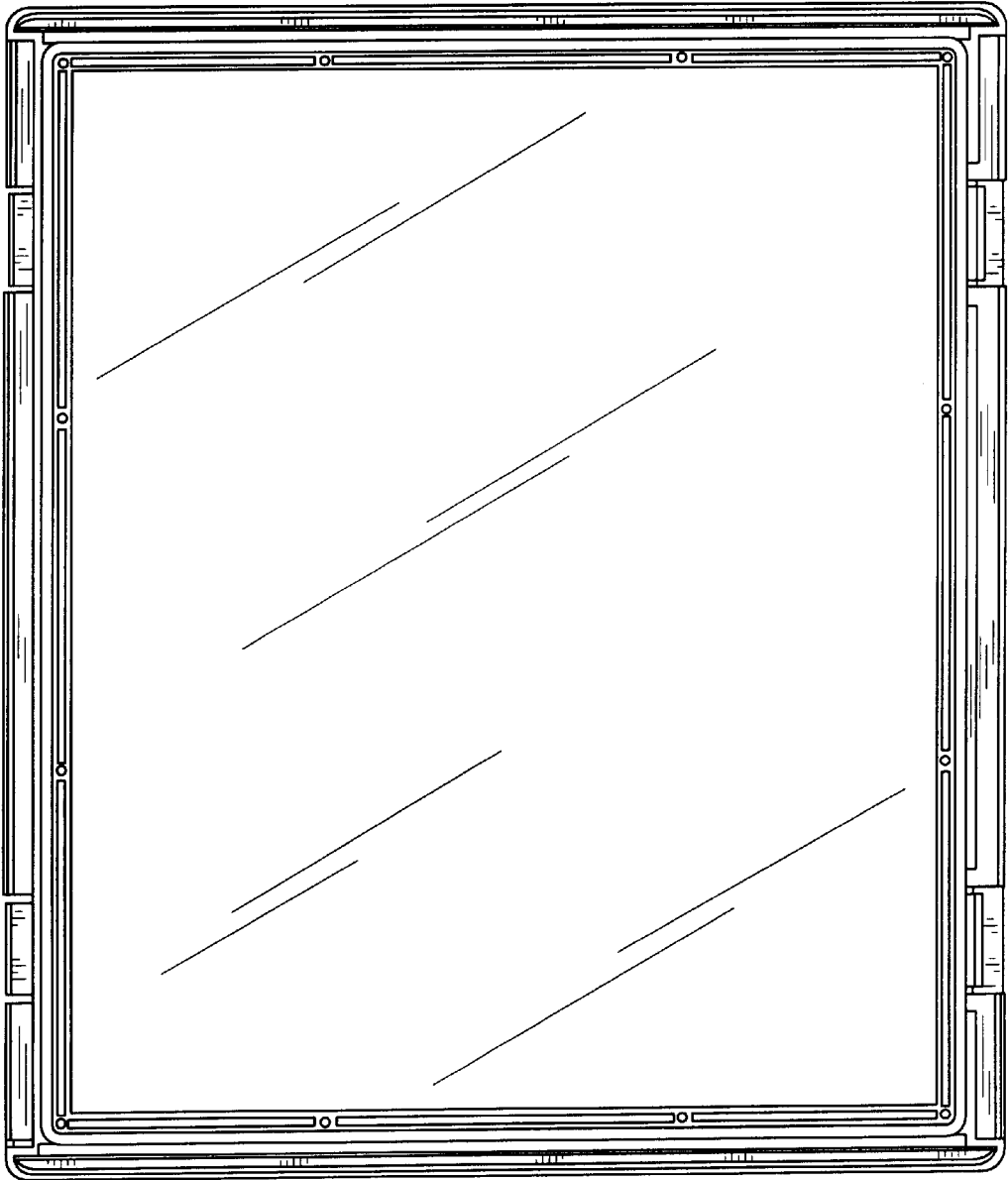


FIG. 8