



- (51) International Patent Classification:  
A47L 9/00 (2006.01) A47L 9/32 (2006.01)
- (21) International Application Number:  
PCT/GB2011/050294
- (22) International Filing Date:  
15 February 2011 (15.02.2011)
- (25) Filing Language: English
- (26) Publication Language: English
- (30) Priority Data:  
1003605.1 4 March 2010 (04.03.2010) GB  
1101954.4 4 February 2011 (04.02.2011) GB
- (71) Applicant (for all designated States except US): **DYSON TECHNOLOGY LIMITED** [GB/GB]; Tetbury Hill, Malmesbury, Wiltshire SN16 0RP (GB).
- (72) Inventors; and
- (75) Inventors/Applicants (for US only): **VENTRESS, Sean** [GB/GB]; c/o Dyson Technology Limited, Tetbury Hill, Malmesbury, Wiltshire SN16 0RP (GB). **MCLEOD, David** [GB/GB]; c/o Dyson Technology Limited, Tetbury Hill, Wiltshire SN16 0RP (GB).

- (74) Agents: **BOOTH, Andrew** et al.; Dyson Technology Limited, Intellectual Property Department, Tetbury Hill, Malmesbury, Wiltshire SN16 0RP (GB).
- (81) Designated States (unless otherwise indicated, for every kind of national protection available): AE, AG, AL, AM, AO, AT, AU, AZ, BA, BB, BG, BH, BR, BW, BY, BZ, CA, CH, CL, CN, CO, CR, CU, CZ, DE, DK, DM, DO, DZ, EC, EE, EG, ES, FI, GB, GD, GE, GH, GM, GT, HN, HR, HU, ID, IL, IN, IS, JP, KE, KG, KM, KN, KP, KR, KZ, LA, LC, LK, LR, LS, LT, LU, LY, MA, MD, ME, MG, MK, MN, MW, MX, MY, MZ, NA, NG, NI, NO, NZ, OM, PE, PG, PH, PL, PT, RO, RS, RU, SC, SD, SE, SG, SK, SL, SM, ST, SV, SY, TH, TJ, TM, TN, TR, TT, TZ, UA, UG, US, UZ, VC, VN, ZA, ZM, ZW.
- (84) Designated States (unless otherwise indicated, for every kind of regional protection available): ARIPO (BW, GH, GM, KE, LR, LS, MW, MZ, NA, SD, SL, SZ, TZ, UG, ZM, ZW), Eurasian (AM, AZ, BY, KG, KZ, MD, RU, TJ, TM), European (AL, AT, BE, BG, CH, CY, CZ, DE, DK, EE, ES, FI, FR, GB, GR, HR, HU, IE, IS, IT, LT, LU, LV, MC, MK, MT, NL, NO, PL, PT, RO, RS, SE, SI, SK, SM, TR), OAPI (BF, BJ, CF, CG, CI, CM, GA, GN, GQ, GW, ML, MR, NE, SN, TD, TG).

[Continued on next page]

(54) Title: A HANDLE FOR A WAND OF A VACUUM CLEANING APPLIANCE

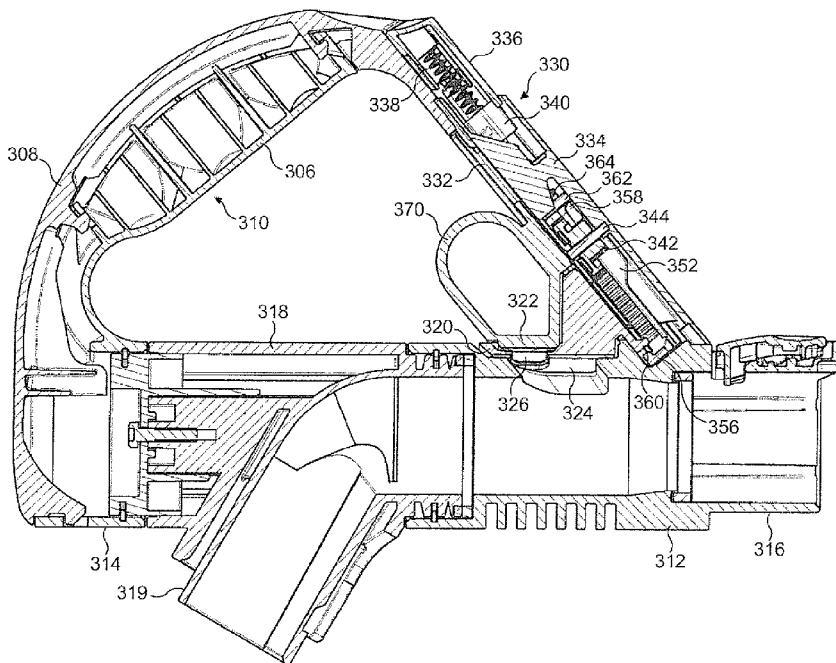


FIG. 14(d)

(57) Abstract: A handle (302) for a wand of a vacuum cleaning appliance includes a handgrip portion (310) and a conduit (312) for receiving an air flow. The handle includes an aperture (324) for admitting ambient air into the conduit. A first valve (324) occludes a first portion of the aperture, and a second valve (326) occludes a second portion of the aperture. A control mechanism (330) moves the first and second valves away from the aperture to admit ambient air into the conduit. The second valve is supported at least partially by the first valve to occlude the second portion of the aperture.



**Published:**

— *with international search report (Art. 21(3))*

**(88) Date of publication of the international search report:**

2 July 2015

**INTERNATIONAL SEARCH REPORT**

International application No  
PCT/GB2011/050294

**A. CLASSIFICATION OF SUBJECT MATTER**  
INV. A47L9/00 A47L9/32  
ADD.

According to International Patent Classification (IPC) or to both national classification and IPC

**B. FIELDS SEARCHED**

Minimum documentation searched (classification system followed by classification symbols)  
A47L

Documentation searched other than minimum documentation to the extent that such documents are included in the fields searched

Electronic data base consulted during the international search (name of data base and, where practical, search terms used)

EPO-Internal

**C. DOCUMENTS CONSIDERED TO BE RELEVANT**

Category*	Citation of document, with indication, where appropriate, of the relevant passages	Relevant to claim No.
A	EP 1 820 434 A1 (BLACK & DECKER INC [US]) 22 August 2007 (2007-08-22) abstract; figure 2a -----	1-19
A,P	EP 2 198 764 A2 (BSH BOSCH SIEMENS HAUSGERAETE [DE]) 23 June 2010 (2010-06-23) abstract; figure 2 -----	1-19
A,P	EP 2 160 968 A2 (SAMSUNG KWANGJU ELECTRONICS CO [KR]) 10 March 2010 (2010-03-10) paragraph [0013] - paragraph [0029]; figures 1,3a,3b,4,5,7 -----	1-19

Further documents are listed in the continuation of Box C.

See patent family annex.

\* Special categories of cited documents :

- \*A\* document defining the general state of the art which is not considered to be of particular relevance
- \*E\* earlier document but published on or after the international filing date
- \*L\* document which may throw doubts on priority claim(s) or which is cited to establish the publication date of another citation or other special reason (as specified)
- \*O\* document referring to an oral disclosure, use, exhibition or other means
- \*P\* document published prior to the international filing date but later than the priority date claimed

- \*T\* later document published after the international filing date or priority date and not in conflict with the application but cited to understand the principle or theory underlying the invention
- \*X\* document of particular relevance; the claimed invention cannot be considered novel or cannot be considered to involve an inventive step when the document is taken alone
- \*Y\* document of particular relevance; the claimed invention cannot be considered to involve an inventive step when the document is combined with one or more other such documents, such combination being obvious to a person skilled in the art.
- \*&\* document member of the same patent family

Date of the actual completion of the international search

26 May 2011

Date of mailing of the international search report

09/06/2011

Name and mailing address of the ISA/  
European Patent Office, P.B. 5818 Patentlaan 2  
NL - 2280 HV Rijswijk  
Tel. (+31-70) 340-2040,  
Fax: (+31-70) 340-3016

Authorized officer

Blumenberg, Claus

# INTERNATIONAL SEARCH REPORT

Information on patent family members

International application No <b>PCT/GB2011/050294</b>
--

Patent document cited in search report	Publication date	Patent family member(s)	Publication date
EP 1820434	A1	22-08-2007	AT 452567 T 15-01-2010
			AU 2007200603 A1 06-09-2007
			CA 2579066 A1 20-08-2007
			CN 101023851 A 29-08-2007
			NZ 553209 A 30-06-2008
			US 2007199605 A1 30-08-2007
EP 2198764	A2	23-06-2010	DE 102008055049 A1 01-07-2010
EP 2160968	A2	10-03-2010	KR 20100029405 A 17-03-2010