



- (51) **International Patent Classification:**  
G02B 6/44 (2006.01) H04Q 1/06 (2006.01)  
H04Q 1/02 (2006.01)
- (21) **International Application Number:**  
PCT/US2009/040161
- (22) **International Filing Date:**  
10 April 2009 (10.04.2009)
- (25) **Filing Language:** English
- (26) **Publication Language:** English
- (30) **Priority Data:**  
61/044,356 11 April 2008 (11.04.2008) US
- (71) **Applicant (for all designated States except US):** ADC TELECOMMUNICATIONS, INC. [US/US]; 13625 Technology Drive, Eden Prairie, MN 55344-2252 (US).
- (72) **Inventors; and**
- (75) **Inventors/Applicants (for US only):** REDMANN, Tim [US/US]; 5080 County Road 50, Carver, MN 55315 (US). SIEVERS, Scott, C. [US/US]; 925 Waterford Way, Jordan, MN 55352 (US).
- (74) **Agent:** BRUESS, Steven, C.; Merchant & Gould P.C., P.O. Box 2903, Minneapolis, MN 55402-0903 (US).
- (81) **Designated States (unless otherwise indicated, for every kind of national protection available):** AE, AG, AL, AM,

AO, AT, AU, AZ, BA, BB, BG, BH, BR, BW, BY, BZ, CA, CH, CN, CO, CR, CU, CZ, DE, DK, DM, DO, DZ, EC, EE, EG, ES, FI, GB, GD, GE, GH, GM, GT, HN, HR, HU, ID, IL, IN, IS, JP, KE, KG, KM, KN, KP, KR, KZ, LA, LC, LK, LR, LS, LT, LU, LY, MA, MD, ME, MG, MK, MN, MW, MX, MY, MZ, NA, NG, NI, NO, NZ, OM, PG, PH, PL, PT, RO, RS, RU, SC, SD, SE, SG, SK, SL, SM, ST, SV, SY, TJ, TM, TN, TR, TT, TZ, UA, UG, US, UZ, VC, VN, ZA, ZM, ZW.

- (84) **Designated States (unless otherwise indicated, for every kind of regional protection available):** ARIPO (BW, GH, GM, KE, LS, MW, MZ, NA, SD, SL, SZ, TZ, UG, ZM, ZW), Eurasian (AM, AZ, BY, KG, KZ, MD, RU, TJ, TM), European (AT, BE, BG, CH, CY, CZ, DE, DK, EE, ES, FI, FR, GB, GR, HR, HU, IE, IS, IT, LT, LU, LV, MC, MK, MT, NL, NO, PL, PT, RO, SE, SI, SK, TR), OAPI (BF, BJ, CF, CG, CI, CM, GA, GN, GQ, GW, ML, MR, NE, SN, TD, TG).

**Published:**

- with international search report (Art. 21(3))
- before the expiration of the time limit for amending the claims and to be republished in the event of receipt of amendments (Rule 48.2(h))

- (88) **Date of publication of the international search report:**  
3 December 2009

(54) **Title:** FIBER MANAGEMENT PANEL

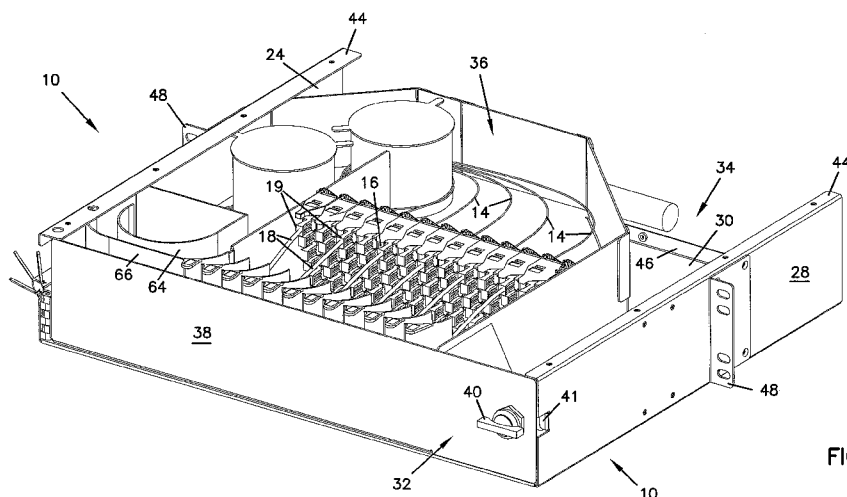


FIG. 2

(57) **Abstract:** A telecommunications termination panel (10) includes a housing having a top(31), a bottom(30), a first side and a second opposing side defining a front opening (32) and a rear opening (34). The housing defines a cable entry adjacent the rear opening and a cable exit adjacent the rear opening, wherein the rear opening is adjacent the first side. A tray (36) is pivotably mounted within the front opening of the housing, pivoting about a vertical axis located adjacent the first side and including a cable entry and a cable exit adjacent the vertical pivot axis and a plurality of connection locations. A cable path (62) is defined between the rear opening of the housing and the tray, the cable path defined by a cable guide (420, 422, 831) defining a channel for receiving cables, the cable guide including a slidably structure (440, 840) configured for pushing cables into the channel defined by the cable guide.



**INTERNATIONAL SEARCH REPORT**

International application No  
PCT/US2009/040161

**A. CLASSIFICATION OF SUBJECT MATTER**  
 INV. G02B6/44 H04Q1/02 H04Q1/06

According to International Patent Classification (IPC) or to both national classification and IPC

**B. FIELDS SEARCHED**  
 Minimum documentation searched (classification system followed by classification symbols)  
 G02B H04Q

Documentation searched other than minimum documentation to the extent that such documents are included in the fields searched

Electronic data base consulted during the international search (name of data base and, where practical, search terms used)  
 EPO-Internal, WPI Data

**C. DOCUMENTS CONSIDERED TO BE RELEVANT**

| Category* | Citation of document, with indication, where appropriate, of the relevant passages                                 | Relevant to claim No. |
|-----------|--|-----------------------|
| X         | US 7 090 084 B2 (KNUDSEN CLINTON M [US] ET AL) 15 August 2006 (2006-08-15)<br>cited in the application             | 18                    |
| A         | For establishing nonunity abstract<br>column 2, line 58 - column 6, line 53<br>claim 1<br>figures 1-22             | 1-6, 11, 20           |
| A         | US 5 946 440 A (PUETZ CURTIS LEE [US]) 31 August 1999 (1999-08-31)<br>column 5, line 33 - line 40<br>figures 7, 27 | 1-6, 11, 19, 20       |
|           | -----<br>-/--  |                       |

Further documents are listed in the continuation of Box C.       See patent family annex.

\* Special categories of cited documents :

|   |   |
|---|---|
| *A* document defining the general state of the art which is not considered to be of particular relevance  | *T* later document published after the international filing date or priority date and not in conflict with the application but cited to understand the principle or theory underlying the invention   |
| *E* earlier document but published on or after the international filing date  | *X* document of particular relevance; the claimed invention cannot be considered novel or cannot be considered to involve an inventive step when the document is taken alone  |
| *L* document which may throw doubts on priority claim(s) or which is cited to establish the publication date of another citation or other special reason (as specified) | *Y* document of particular relevance; the claimed invention cannot be considered to involve an inventive step when the document is combined with one or more other such documents, such combination being obvious to a person skilled in the art. |
| *O* document referring to an oral disclosure, use, exhibition or other means  | *Z* document member of the same patent family   |
| *P* document published prior to the international filing date but later than the priority date claimed  |   |

|  |  |
|--|--|
| Date of the actual completion of the international search<br><br>15 September 2009 | Date of mailing of the international search report<br><br>22/09/2009 |
|--|--|

|  |  |
|--|--|
| Name and mailing address of the ISA/<br>European Patent Office, P.B. 5818 Patentlaan 2<br>NL - 2280 HV Rijswijk<br>Tel. (+31-70) 340-2040,<br>Fax: (+31-70) 340-3016 | Authorized officer<br><br>Moroz, Alexander |
|--|--|

INTERNATIONAL SEARCH REPORT

International application No  
PCT/US2009/040161

C(Continuation). DOCUMENTS CONSIDERED TO BE RELEVANT

| Category* | Citation of document, with indication, where appropriate, of the relevant passages   | Relevant to claim No. |
|-----------|--|-----------------------|
| A         | WO 02/19005 A (ADC TELECOMMUNICATIONS INC [US]) 7 March 2002 (2002-03-07)<br>page 6, line 15 - line 26<br>page 9, line 33 - page 10, line 5<br>page 10, line 26 - line 29<br>claim 1<br>figures 1-5,20-29<br>----- | 1-6,20                |
| X         | US 2007/127201 A1 (MERTESDORF DANIEL R [US] ET AL MERTESDORF DANIEL RAY [US] ET AL) 7 June 2007 (2007-06-07)   | 7-10,<br>12-18,20     |
| A         | abstract<br>paragraphs [0005], [0006], [0062],<br>[0063], [0066], [0068], [0069],<br>[0073], [0074], [0082] - [0085],<br>[0092], [0093]<br>figures 1-7,13-22,24-33,35,38,41,44,47,50<br>-----                      | 19                    |
| X         | US 6 870 734 B2 (MERTESDORF DANIEL RAY [US] ET AL) 22 March 2005 (2005-03-22)<br>cited in the application  | 7-10,<br>12-18,20     |
| A         | abstract<br>column 8, last paragraph - column 9,<br>paragraph 2<br>figures 24-33,35,38,41,44,47,50<br>-----  | 19                    |

# INTERNATIONAL SEARCH REPORT

International application No.  
PCT/US2009/040161

## Box No. II Observations where certain claims were found unsearchable (Continuation of item 2 of first sheet)

This international search report has not been established in respect of certain claims under Article 17(2)(a) for the following reasons:

1.  Claims Nos.:  
because they relate to subject matter not required to be searched by this Authority, namely:
  
2.  Claims Nos.:  
because they relate to parts of the international application that do not comply with the prescribed requirements to such an extent that no meaningful international search can be carried out, specifically:
  
3.  Claims Nos.:  
because they are dependent claims and are not drafted in accordance with the second and third sentences of Rule 6.4(a).

## Box No. III Observations where unity of invention is lacking (Continuation of item 3 of first sheet)

This International Searching Authority found multiple inventions in this international application, as follows:

see additional sheet

1.  As all required additional search fees were timely paid by the applicant, this international search report covers allsearchable claims.
2.  As all searchable claims could be searched without effort justifying an additional fees, this Authority did not invite payment of additional fees.
3.  As only some of the required additional search fees were timely paid by the applicant, this international search report covers only those claims for which fees were paid, specifically claims Nos.:
4.  No required additional search fees were timely paid by the applicant. Consequently, this international search report is restricted to the invention first mentioned in the claims; it is covered by claims Nos.:

### Remark on Protest

- The additional search fees were accompanied by the applicant's protest and, where applicable, the payment of a protest fee.
- The additional search fees were accompanied by the applicant's protest but the applicable protest fee was not paid within the time limit specified in the invitation.
- No protest accompanied the payment of additional search fees.

**FURTHER INFORMATION CONTINUED FROM PCT/ISA/ 210**

This International Searching Authority found multiple (groups of) inventions in this international application, as follows:

1. claims: 1-6,11,18(part),20

Telecommunications termination panel with a slidable structure configured for pushing cables into the channel defined by the cable guide.  
---

2. claims: 7-10,12-17,18(part)

Telecommunications termination panel with a hingedly mounted cover.  
---

3. claim: 19

Telecommunications termination panel with a plurality of splice trays mounted to the tray.  
---

# INTERNATIONAL SEARCH REPORT

Information on patent family members

|   |
|---|
| International application No<br>PCT/US2009/040161 |
|---|

| Patent document cited in search report | Publication date | Publication date | Patent family member(s) | Publication date |
|--|------------------|------------------|-------------------------|------------------|
| US 7090084                             | B2               | 15-08-2006       | AU 2003270893 A1        | 13-05-2004       |
|  |                  |                  | CA 2503486 A1           | 06-05-2004       |
|  |                  |                  | CN 1706202 A            | 07-12-2005       |
|  |                  |                  | EP 1557048 A2           | 27-07-2005       |
|  |                  |                  | MX PA05004161 A         | 22-06-2005       |
|  |                  |                  | WO 2004039092 A2        | 06-05-2004       |
|  |                  |                  | US 2004074852 A1        | 22-04-2004       |
|  |                  |                  | US 2006118497 A1        | 08-06-2006       |
|  |                  |                  |                         |                  |
| US 5946440                             | A                | 31-08-1999       | NONE                    |                  |
| WO 0219005                             | A                | 07-03-2002       | AR 030500 A1            | 20-08-2003       |
|  |                  |                  | AU 8517901 A            | 13-03-2002       |
|  |                  |                  | CA 2420819 A1           | 07-03-2002       |
|  |                  |                  | CN 1470004 A            | 21-01-2004       |
|  |                  |                  | CN 1651956 A            | 10-08-2005       |
|  |                  |                  | CN 1651957 A            | 10-08-2005       |
|  |                  |                  | EP 1368685 A2           | 10-12-2003       |
|  |                  |                  | TW 512245 B             | 01-12-2002       |
|  |                  |                  |                         |                  |
| US 2007127201                          | A1               | 07-06-2007       | NONE                    |                  |
| US 6870734                             | B2               | 22-03-2005       | AU 2004246161 A1        | 16-12-2004       |
|  |                  |                  | CA 2527156 A1           | 16-12-2004       |
|  |                  |                  | CN 1799296 A            | 05-07-2006       |
|  |                  |                  | EP 1632116 A2           | 08-03-2006       |
|  |                  |                  | MX PA05012767 A         | 13-02-2006       |
|  |                  |                  | US 2005220436 A1        | 06-10-2005       |
|  |                  |                  | US 2009129045 A1        | 21-05-2009       |
|  |                  |                  | US 2004251220 A1        | 16-12-2004       |
| WO 2004110122 A2                       | 16-12-2004       |                  |                         |                  |