



US00D757201S

(12) **United States Design Patent**
Meier

(10) **Patent No.:** **US D757,201 S**

(45) **Date of Patent:** **** May 24, 2016**

- (54) **RIFLE COMPONENT**
- (71) Applicant: **Michael Meier**, Thornton, CO (US)
- (72) Inventor: **Michael Meier**, Thornton, CO (US)
- (73) Assignee: **Helvetic Design Corporation**, Thornton, CO (US)

9,121,664 B2 * 9/2015 Fitzpatrick F41C 23/16
 D744,054 S * 11/2015 Peterson D22/108
 D746,399 S * 12/2015 Folkestad, II D22/108
 2007/0017139 A1 * 1/2007 Larue F41C 23/16
 42/75.1
 2014/0130390 A1 * 5/2014 Geissele F41C 23/16
 42/71.01

(**) Term: **14 Years**

* cited by examiner

Primary Examiner — Michael A Pratt

(21) Appl. No.: **29/508,076**

(74) *Attorney, Agent, or Firm* — Smith Moore Leatherwood LLP; Thomas W. Epting

(22) Filed: **Nov. 3, 2014**

(51) **LOC (10) CL.** **22-01**

(52) **U.S. CL.**
USPC **D22/108**

(58) **Field of Classification Search**
USPC D22/108; D8/68
CPC F41C 23/10; F41C 23/14; F41C 23/16;
F41C 23/18
See application file for complete search history.

(57) **CLAIM**

The ornamental design for a rifle component, as shown and described.

DESCRIPTION

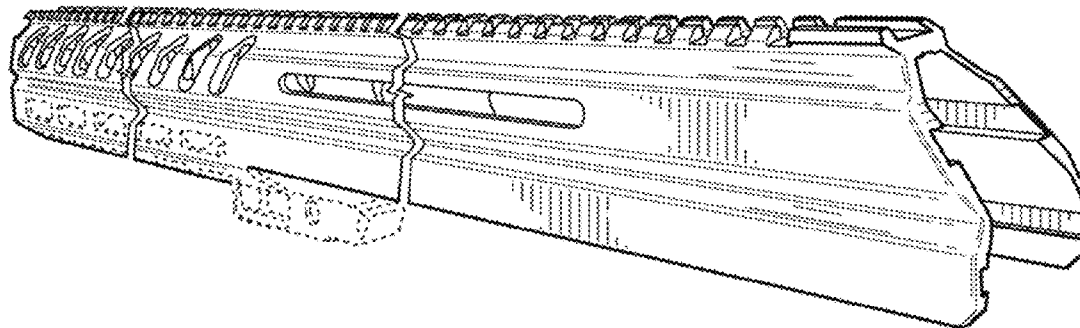
FIG. 1 is a perspective view of an embodiment of a rifle component showing my new design;
 FIG. 2 is a top plan view thereof;
 FIG. 3 is bottom plan view thereof;
 FIG. 4 is a left side elevational view thereof;
 FIG. 5 is a right side elevational view thereof;
 FIG. 6 is a rear elevational view thereof; and,
 FIG. 7 is a front elevational view thereof.
 The broken away symbols in the drawings views 1 through 7 indicate the appearance of any portion of the rifle component between the break lines forms no part of the claimed design. The broken lines shown in the drawings are for environmental purposes only and form no part of the claimed design.

(56) **References Cited**

U.S. PATENT DOCUMENTS

- D477,855 S * 7/2003 Selvaggio D22/108
- D613,811 S * 4/2010 Swan D22/108
- D680,186 S * 4/2013 Fesas D22/108
- 8,522,467 B1 * 9/2013 Christensen F41C 23/16
42/71.01
- D710,964 S * 8/2014 Chvala D22/108
- D720,421 S * 12/2014 Chen D22/108
- 8,904,691 B1 * 12/2014 Kincel F41C 23/16
42/71.01
- D721,407 S * 1/2015 Chu D21/574

1 Claim, 6 Drawing Sheets



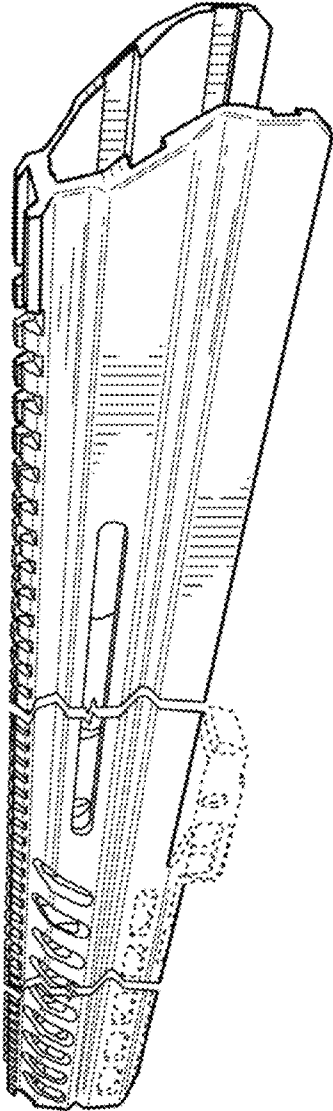


FIG. 1

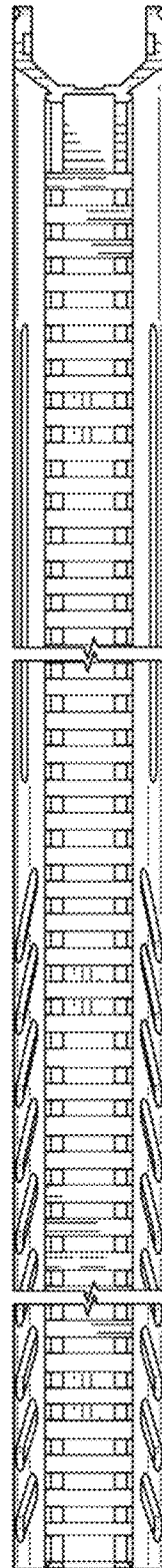


FIG. 2

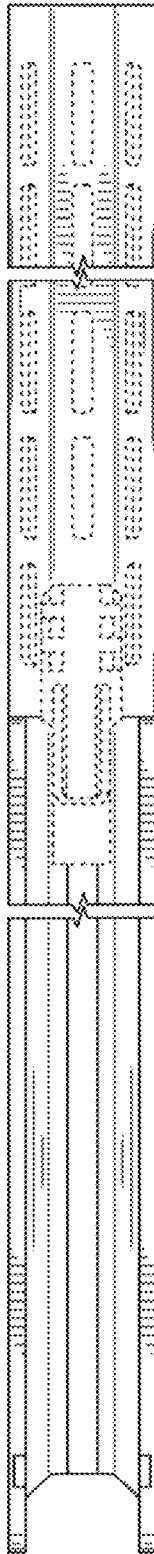


FIG. 3

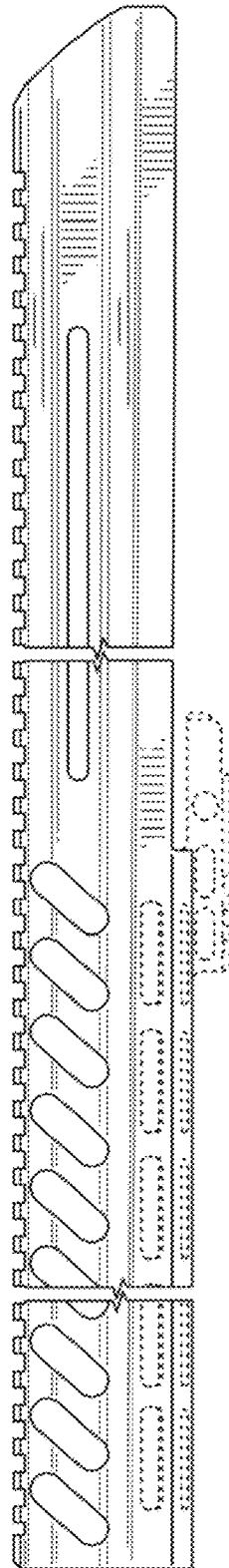


FIG. 4

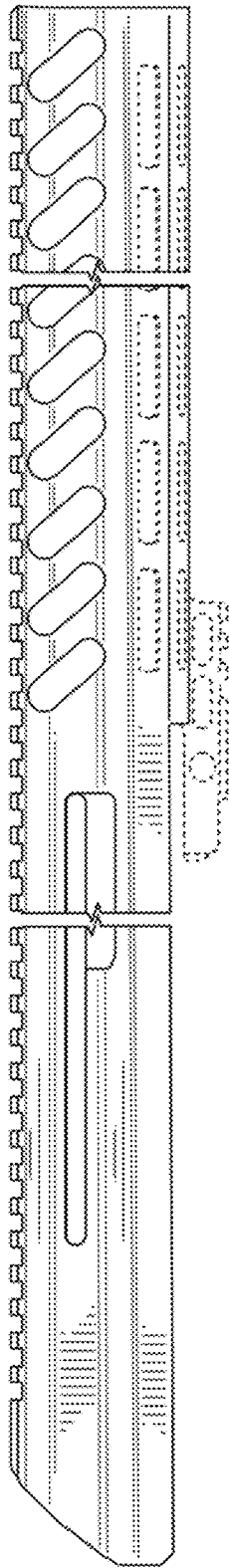


FIG. 5

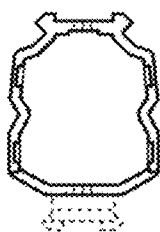


FIG. 6

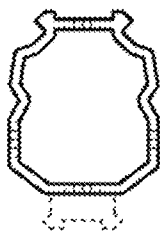


FIG. 7