



US00D889641S

(12) **United States Design Patent**
Wennborg et al.

(10) **Patent No.:** **US D889,641 S**

(45) **Date of Patent:** **** Jul. 7, 2020**

(54) **TUBE FIXATION DEVICE**

(71) Applicant: **Quickcool AB**, Lund (SE)

(72) Inventors: **John Wennborg**, Hurva (SE); **Håkan Pålsson**, Kävlinge (SE)

(73) Assignee: **Quickcool AB** (SE)

(**) Term: **15 Years**

(21) Appl. No.: **29/671,688**

(22) Filed: **Nov. 29, 2018**

(51) **LOC (12) Cl.** **24-01**

(52) **U.S. Cl.**
USPC **D24/128**

(58) **Field of Classification Search**
USPC D24/127–131, 112–114, 133, 186;
606/181, 185; 604/264, 272, 115, 232,
604/187, 158, 164.08, 192, 263, 163, 181,
604/184, 198, 227; 600/101, 139, 143;
128/200.24, 207.14, 207.15
CPC A61M 5/1418; A61M 16/0875; A61M
2209/082; F16L 3/12; Y10T 403/598
See application file for complete search history.

(56) **References Cited**

U.S. PATENT DOCUMENTS

6,476,327	B1 *	11/2002	Bernard	H02G 3/045 174/101
D630,317	S *	1/2011	Wung	D24/128
D638,692	S *	5/2011	Hoek	D8/356
D657,460	S *	4/2012	Uhlenkamp	D24/128
D749,209	S *	2/2016	Uhlenkamp	D24/128
D769,105	S *	10/2016	Tomney	D12/217
D789,526	S *	6/2017	Serafini	D24/128
D793,549	S *	8/2017	Defusco	D24/128
D826,032	S *	8/2018	Feng	D8/356
D831,466	S *	10/2018	Lang	D8/349

D852,354	S *	6/2019	Wrangmark	D24/128
2010/0132979	A1 *	6/2010	Chen	F16L 3/223 174/135
2015/0094693	A1 *	4/2015	Suzuki	A61M 25/09041 604/528

* cited by examiner

Primary Examiner — David G Muller

Assistant Examiner — Nathan M Johnston

(74) *Attorney, Agent, or Firm* — Condo Rocchia Koptiw LLP

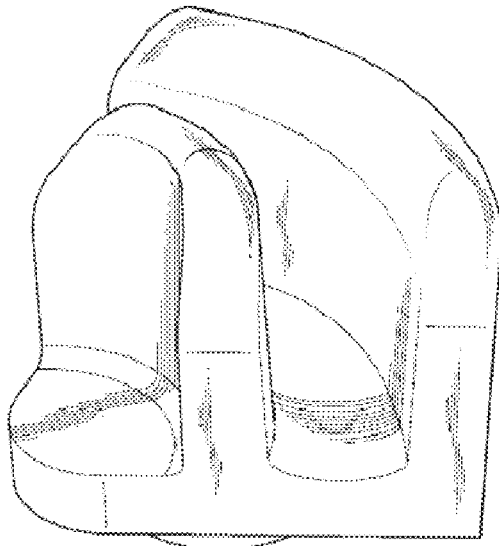
(57) **CLAIM**

The ornamental design for a tube fixation device, as shown and described.

DESCRIPTION

FIG. 1 is a perspective view of a tube fixation device showing our new design;
 FIG. 2 is a bottom perspective view of the tube fixation device shown in FIG. 1;
 FIG. 3 is a rear view of the tube fixation device shown in FIG. 1;
 FIG. 4 is a front view of the tube fixation device shown in FIG. 1;
 FIG. 5 is a right-side view of the tube fixation device shown in FIG. 1;
 FIG. 6 is a left-side view of the tube fixation device shown in FIG. 1;
 FIG. 7 is a top view of the tube fixation device shown in FIG. 1;
 FIG. 8 is a bottom view of the tube fixation device shown in FIG. 1; and,
 FIG. 9 is a perspective view of two of the tube fixation devices shown in FIG. 1 positioned on a positioning strap fixated around the head of a patient such that each of the tube fixation devices is placed at the entry point of a respective nostril of the patient.
 The broken line showing is included for the purpose of illustrating unclaimed subject matter and forms no part of the claimed design.

1 Claim, 9 Drawing Sheets



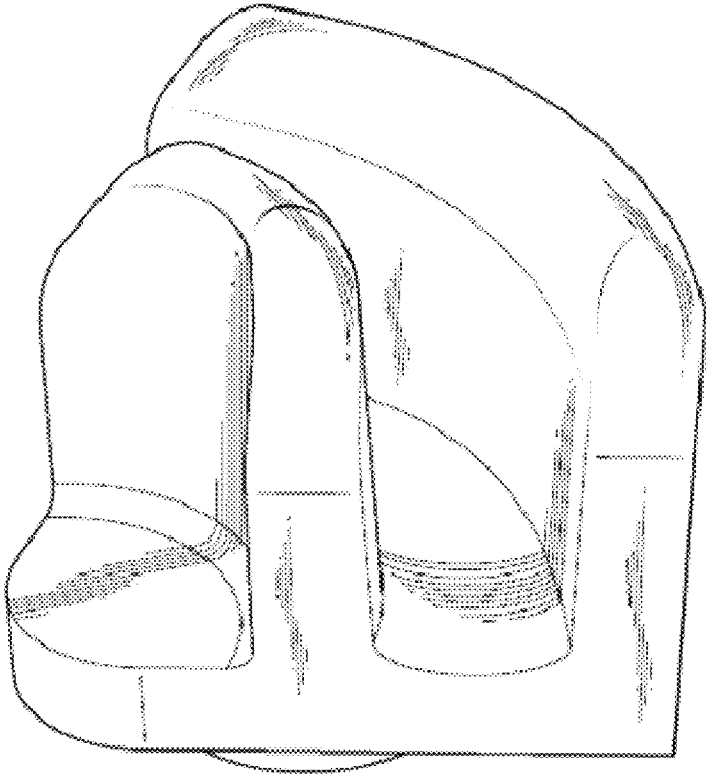


FIG. 1

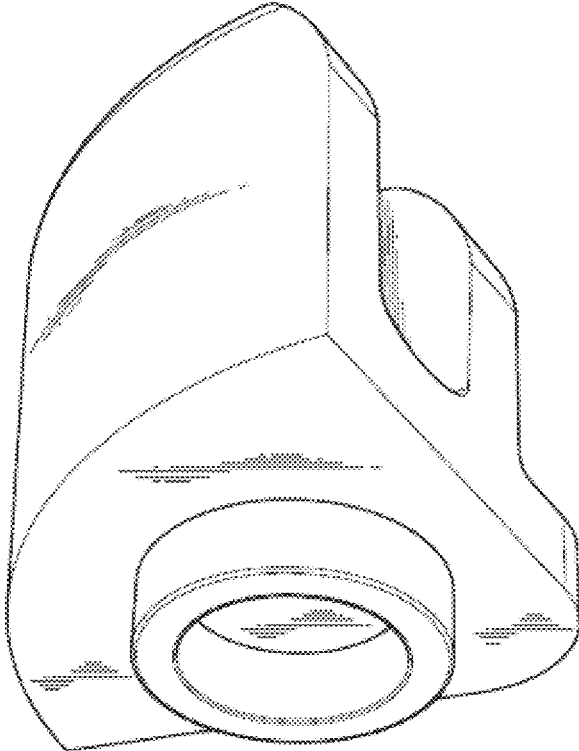


FIG. 2

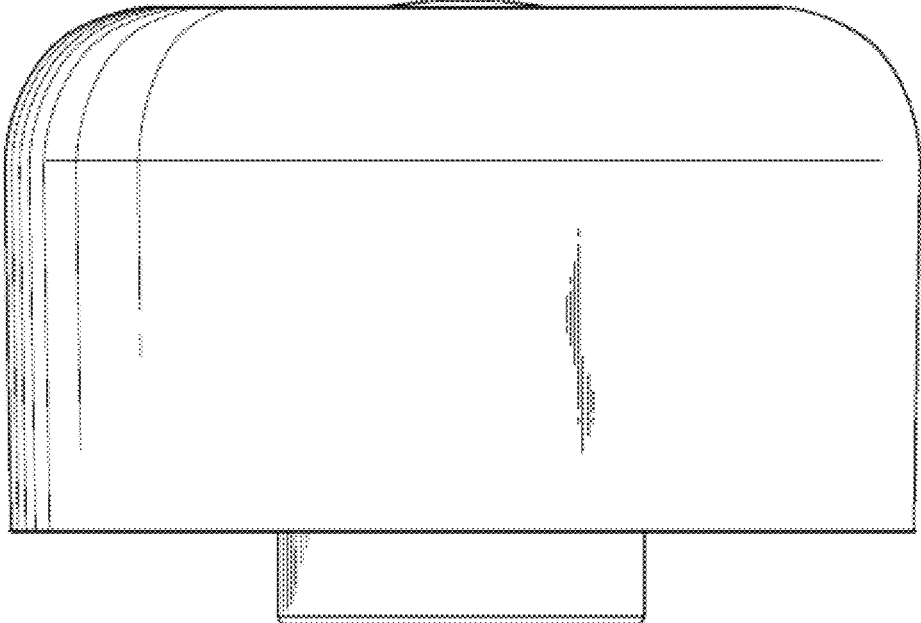


FIG. 3

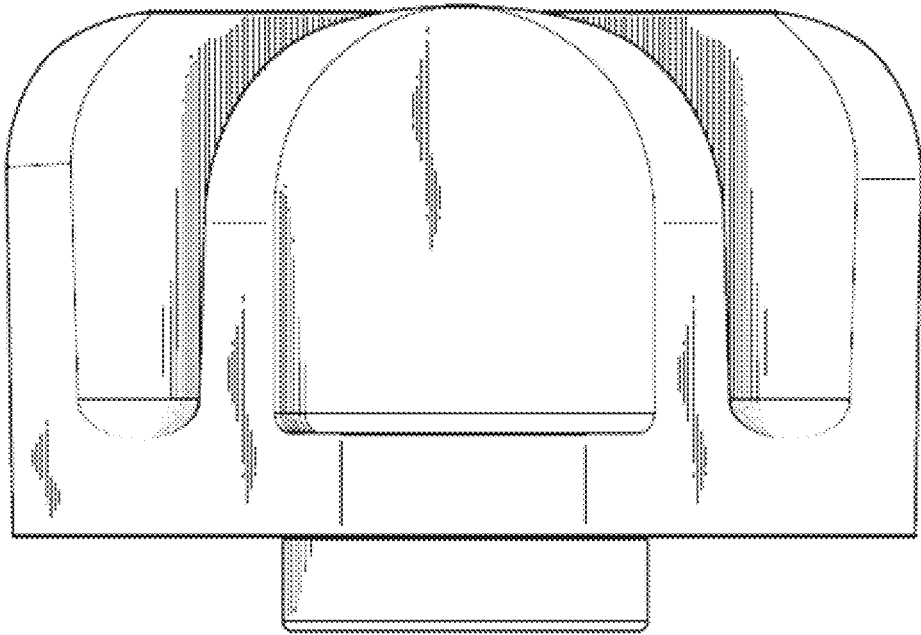


FIG. 4

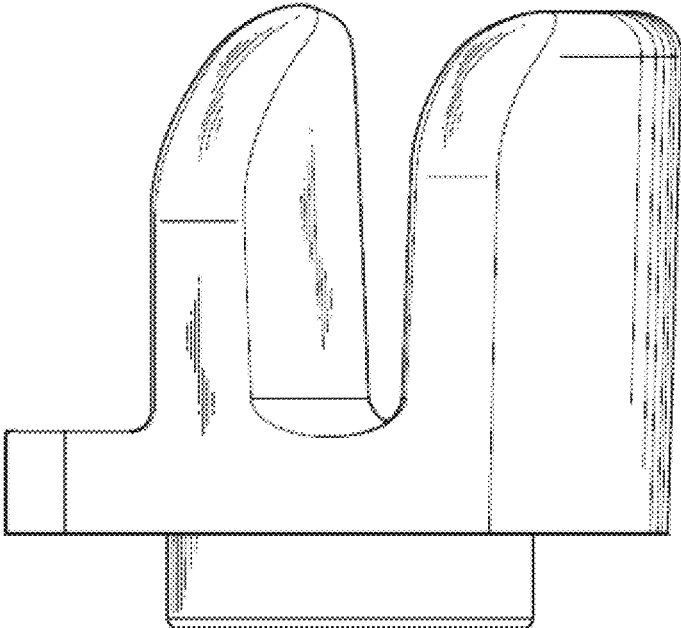


FIG. 5

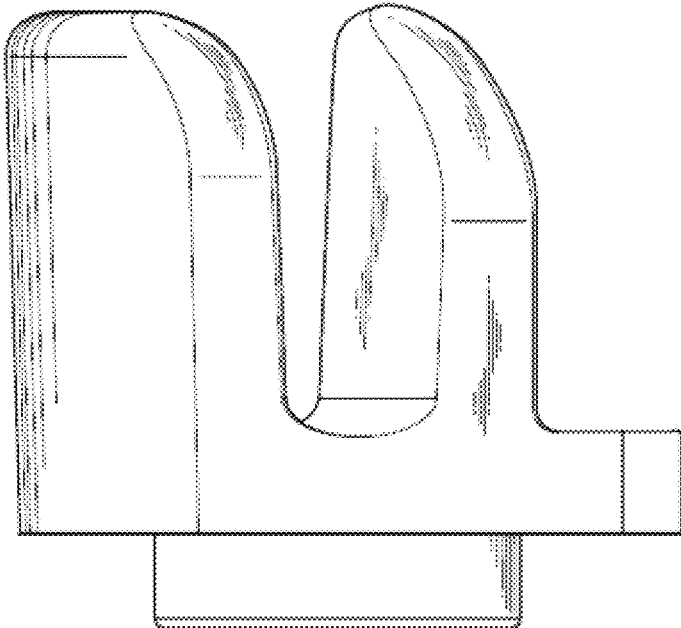


FIG. 6

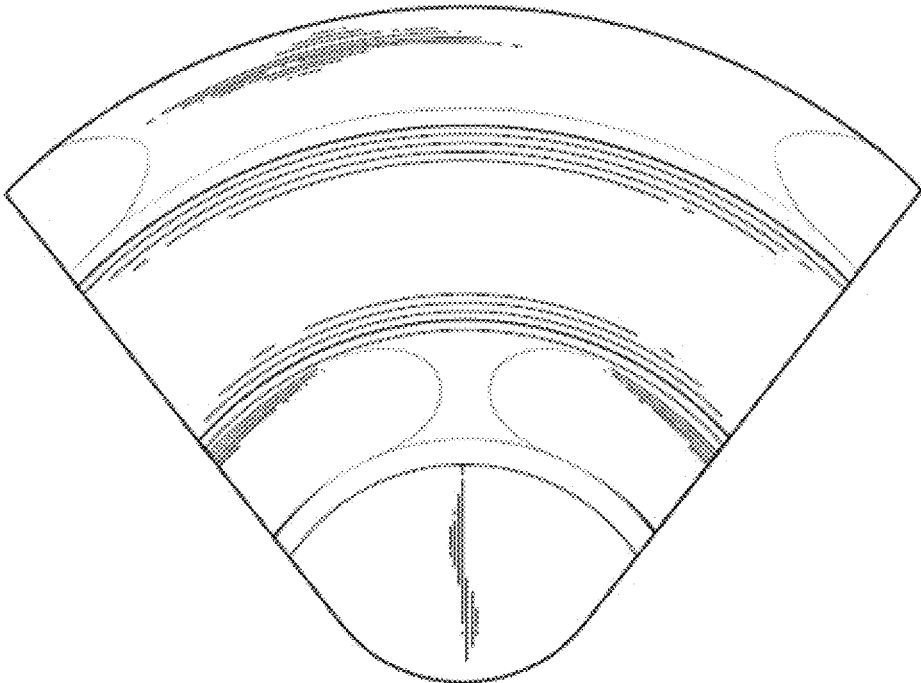


FIG. 7

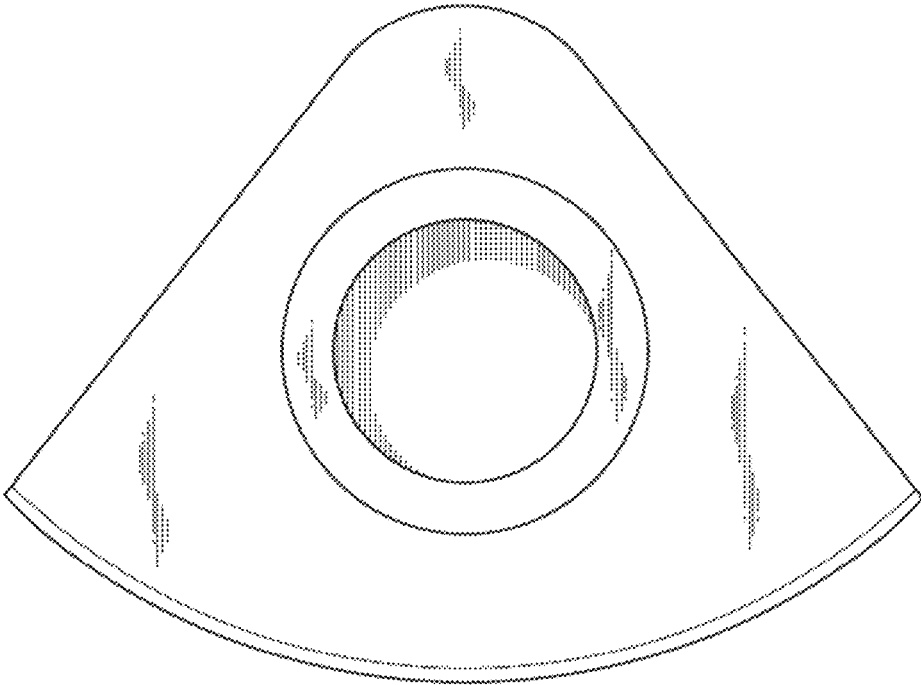


FIG. 8

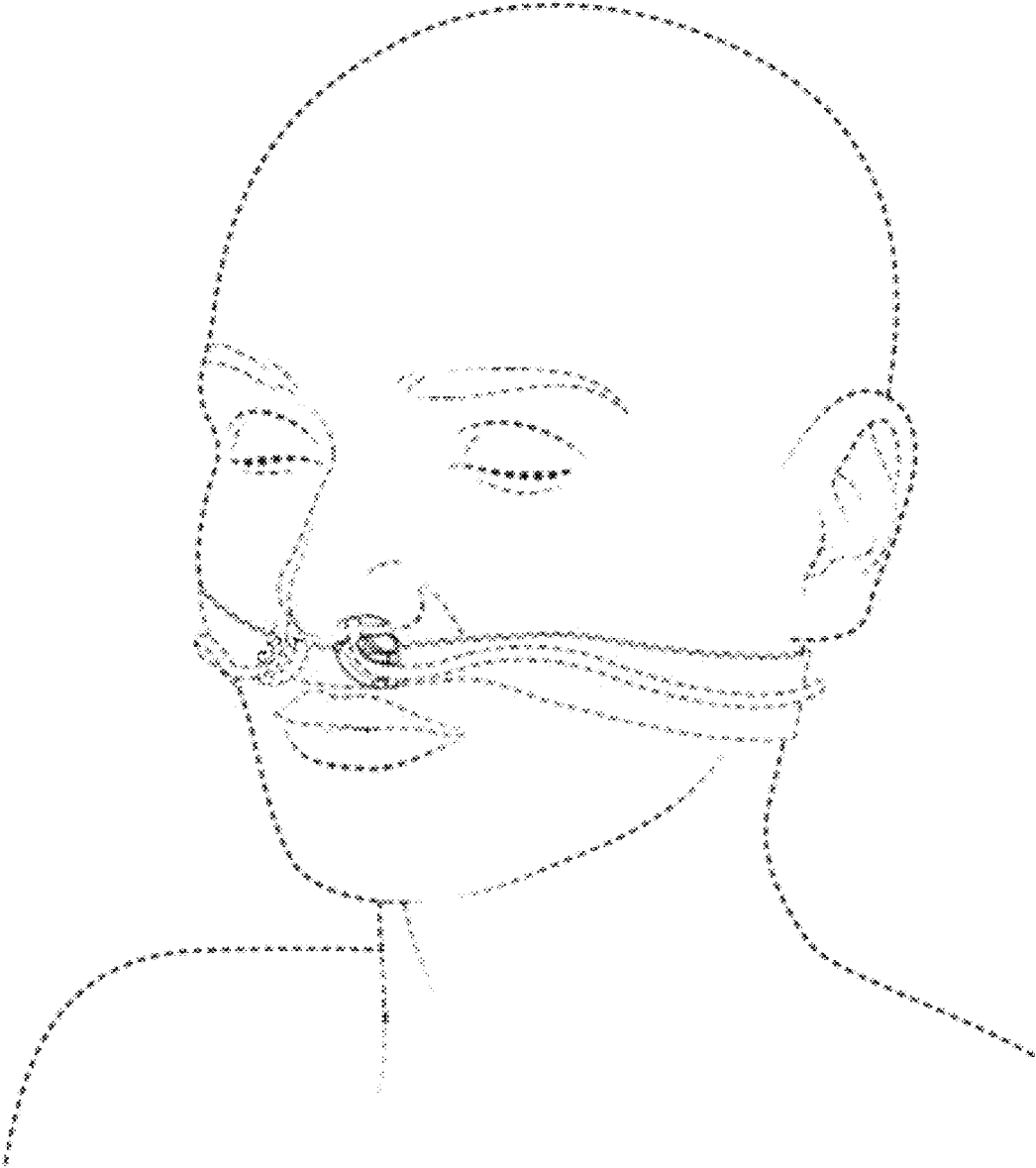


FIG. 9