



US00D712751S

(12) **United States Design Patent**
Bechyne et al.

(10) **Patent No.:** **US D712,751 S**

(45) **Date of Patent:** **** Sep. 9, 2014**

(54) **REFILLABLE, FLEXIBLE MOIST WIPES DISPENSER**

(71) Applicant: **Kimberly-Clark Worldwide, Inc.,**
Neenah, WI (US)

(72) Inventors: **Christopher Michael Bechyne,**
Menasha, WI (US); **Todd Michael**
Carlson, Downers Grove, IL (US); **Kam**
Mei Li, Yuen Long (CN)

(73) Assignee: **Kimberly-Clark Worldwide, Inc.,**
Neenah, WI (US)

(**) Term: **14 Years**

(21) Appl. No.: **29/458,442**

(22) Filed: **Jun. 19, 2013**

(51) **LOC (10) Cl.** **09-01**

(52) **U.S. Cl.**
USPC **D9/734**

(58) **Field of Classification Search**

CPC B65D 85/00; B65D 81/00; B65D 81/22;
B65D 8583/0805; B65D 8583/0055; A47K
2010/3266; A47K 10/42; A47K 10/421
USPC D9/414, 424, 499, 430, 431, 702, 711,
D9/730, 734; D3/20, 201, 203.1, 205, 272,
D3/273, 315, 316, 901; D24/121, 128;
D7/601, 602, 607, 641; 206/205, 210,
206/216, 233, 389, 395, 548, 581, 812;
221/33, 36, 45, 46, 47, 52, 199, 255,
221/259, 305, 309; D6/512, 515, 518, 522;
222/92, 95, 96

See application file for complete search history.

(56) **References Cited**

U.S. PATENT DOCUMENTS

2,692,674	A *	10/1954	Shnitzler et al.	206/358
4,002,264	A *	1/1977	Marchesani	221/63
D303,760	S *	10/1989	Brainard	D9/697
5,938,013	A *	8/1999	Palumbo et al.	206/210
D470,755	S *	2/2003	Espinel et al.	D9/707
6,543,642	B1 *	4/2003	Milliorn	221/46
7,228,968	B1 *	6/2007	Burgess	206/494
D568,762	S *	5/2008	Keberlein	D9/734
2007/0194042	A1 *	8/2007	Wilbur	222/92
2009/0014459	A1 *	1/2009	Hood et al.	221/45
2014/0001196	A1 *	1/2014	Bushman et al.	221/45

* cited by examiner

Primary Examiner — Derrick Holland

Assistant Examiner — Lauren Calve

(74) *Attorney, Agent, or Firm* — Kimberly-Clark
Worldwide, Inc.

(57) **CLAIM**

The ornamental design for a refillable, flexible moist wipes dispenser, as shown and described.

DESCRIPTION

FIG. 1 is a perspective view of a refillable, flexible moist wipes dispenser according to the claimed design.

FIG. 2 is a front view thereof.

FIG. 3 is a back view thereof.

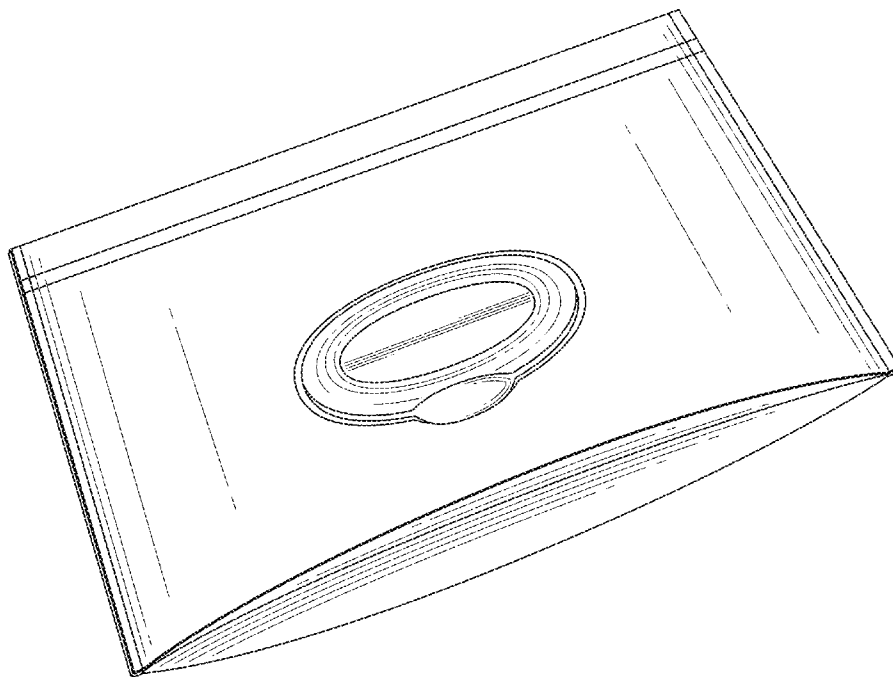
FIG. 4 is a top plan view thereof.

FIG. 5 is a bottom plan view thereof.

FIG. 6 is an end view thereof; and,

FIG. 7 is an opposite end view thereof.

1 Claim, 4 Drawing Sheets



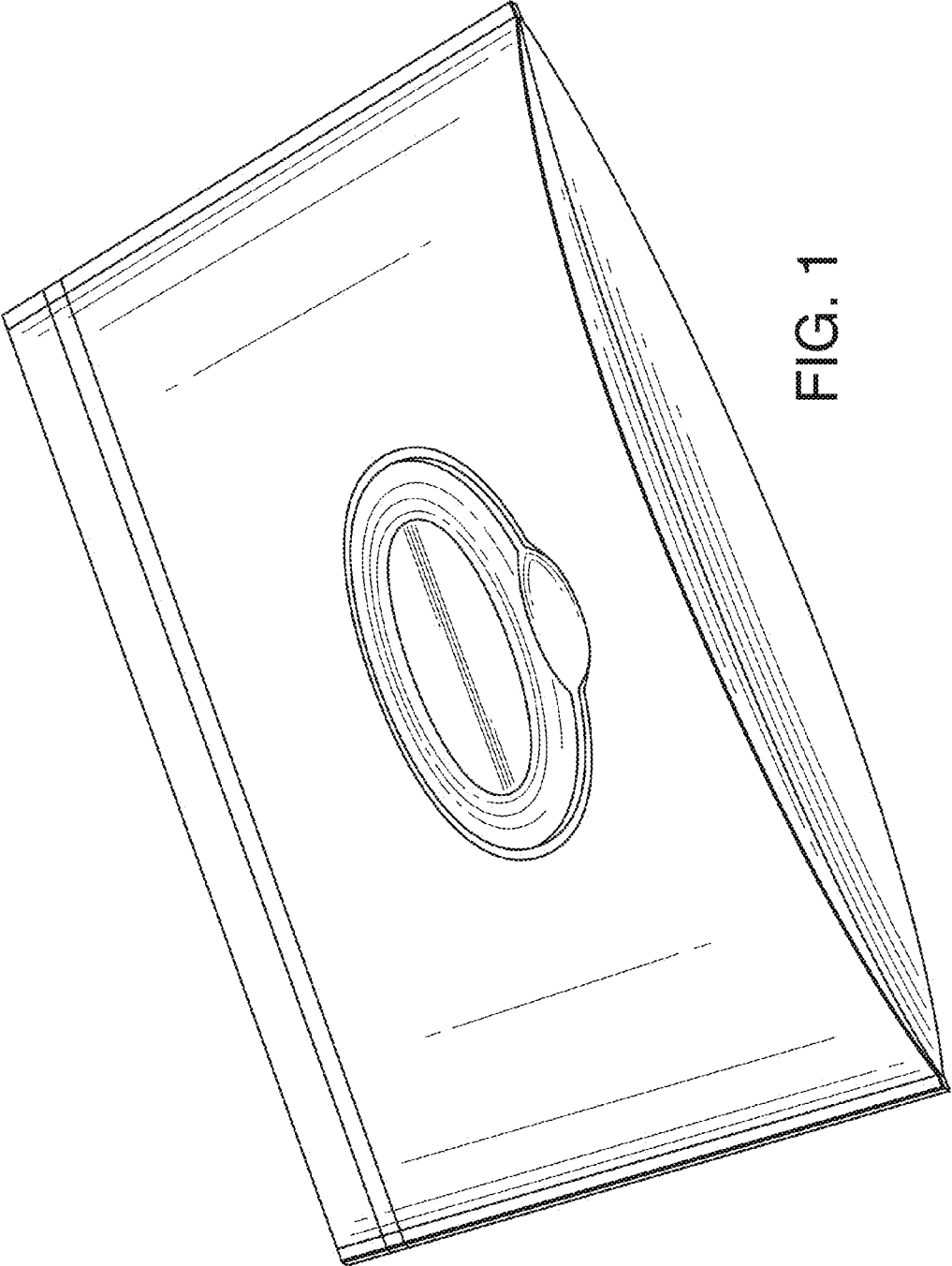


FIG. 1

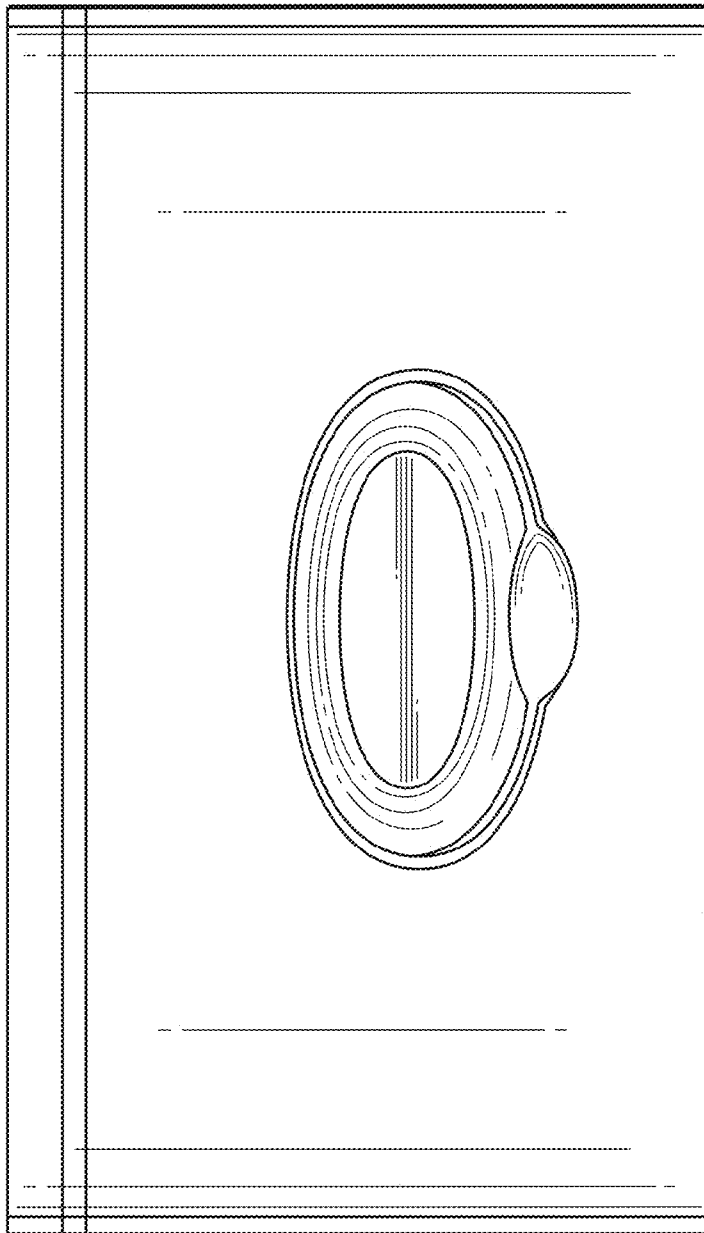


FIG. 2

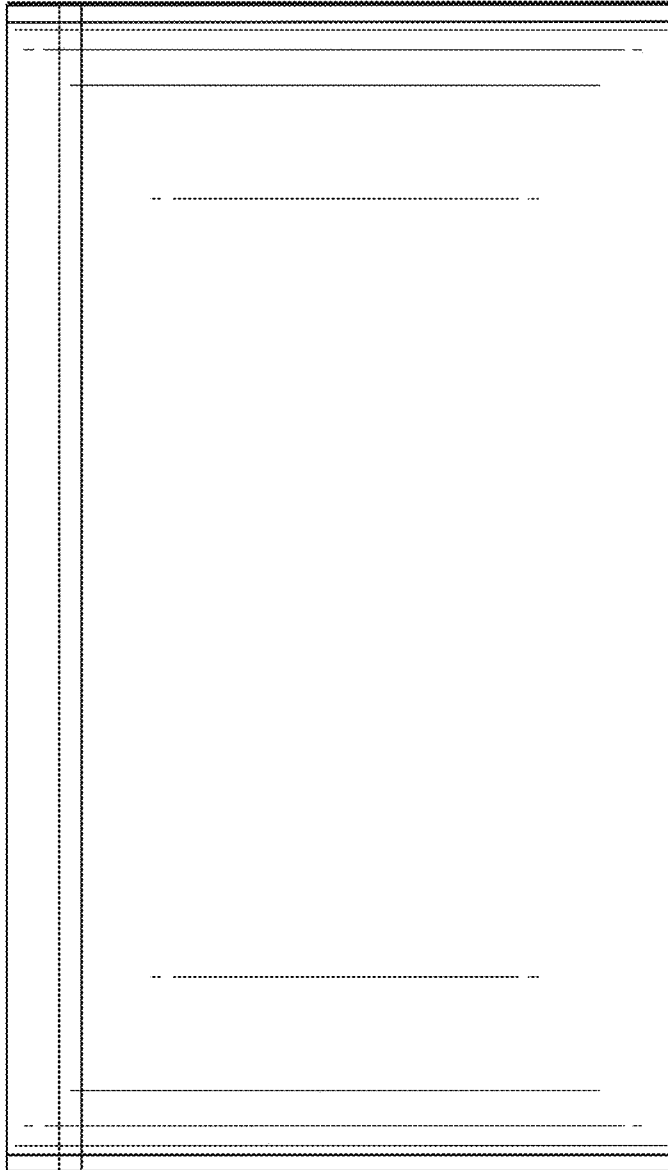


FIG. 3

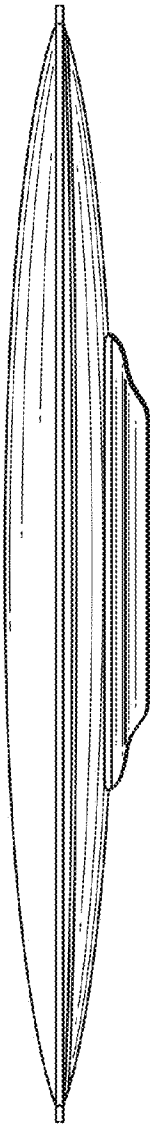


FIG. 4

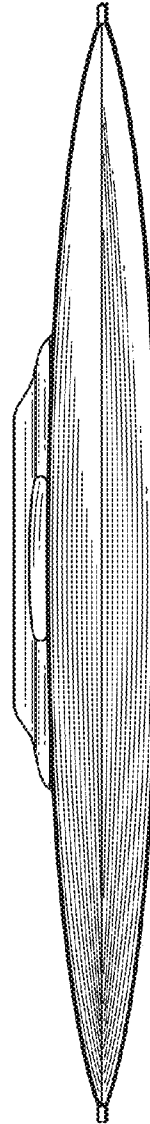


FIG. 5

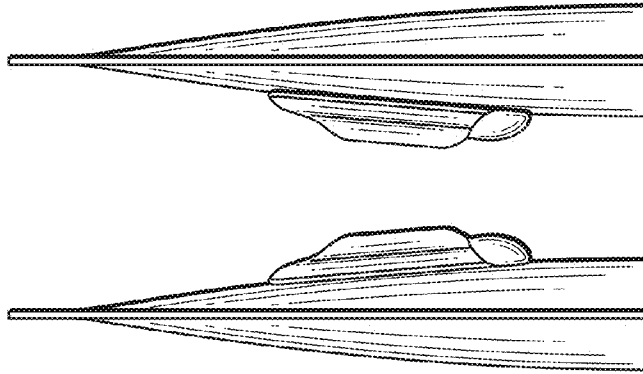


FIG. 6 FIG. 7