

(19) World Intellectual Property Organization  
International Bureau



(43) International Publication Date  
27 March 2008 (27.03.2008)

PCT

(10) International Publication Number  
**WO 2008/036848 A3**

- (51) International Patent Classification:  
*H02B 1/20* (2006.01)
- (21) International Application Number:  
PCT/US2007/079083
- (22) International Filing Date:  
20 September 2007 (20.09.2007)
- (25) Filing Language: English
- (26) Publication Language: English
- (30) Priority Data:  
60/846,198 20 September 2006 (20.09.2006) US
- (71) Applicant (for all designated States except US): **SERVER TECHNOLOGY, INC.** [US/US]; 1040 Sandhill Drive, Reno, NV 89521 (US).
- (72) Inventors; and
- (75) Inventors/Applicants (for US only): **EWING, Carrel, W.** [US/US]; 5845 Lausanne Drive, Reno, NV 89511 (US). **CLEVELAND, Andrew, J.** [US/US]; 5419 Greenview Court, Reno, NV 89502 (US). **MASKALY, James, P.**

[US/US]; 1568 Topeka Circle, Sparks, NV 89343 (US). **GREENBLAT, David** [US/US]; C/o 1040 Sandhill Drive, Reno, NV 89521 (US). **EWING, Brandon** [US/US]; 900 S Meadows Parkway, Apt.4622, Reno, NV 89511 (US).

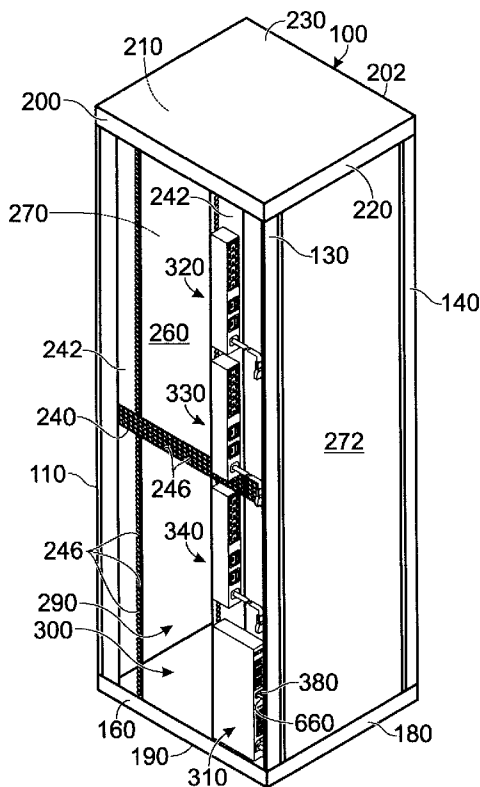
(74) Agent: **WAGNER, Justin, D.**; Klarquist Sparkman, LLP, One World Trade Center, Suite 1600, 121 Sw Salmon Street, Portland, OR 97204 (US).

(81) Designated States (unless otherwise indicated, for every kind of national protection available): AE, AG, AL, AM, AT, AU, AZ, BA, BB, BG, BH, BR, BW, BY, BZ, CA, CH, CN, CO, CR, CU, CZ, DE, DK, DM, DO, DZ, EC, EE, EG, ES, FI, GB, GD, GE, GH, GM, GT, HN, HR, HU, ID, IL, IN, IS, JP, KE, KG, KM, KN, KP, KR, KZ, LA, LC, LK, LR, LS, LT, LU, LY, MA, MD, ME, MG, MK, MN, MW, MX, MY, MZ, NA, NG, NI, NO, NZ, OM, PG, PH, PL, PT, RO, RS, RU, SC, SD, SE, SG, SK, SL, SM, SV, SY, TJ, TM, TN, TR, TT, TZ, UA, UG, US, UZ, VC, VN, ZA, ZM, ZW.

(84) Designated States (unless otherwise indicated, for every kind of regional protection available): ARIPO (BW, GH,

[Continued on next page]

(54) Title: MODULAR POWER DISTRIBUTION UNIT SYSTEM



(57) Abstract: Embodiments of a power distribution system for distributing power to one or more electronic components, such as electronic components mounted within an electronic equipment rack, can include a dedicated controller mountable within a power distribution rack and at least one power distribution unit electrically coupleable to the controller and mountable at any of various locations within the rack. In certain embodiments, the controller can receive power from a power source and intelligently distribute the power to power distribution units coupled to the controller. The power distribution units can include outputs or receptacles to which power cords of electronic equipment stored in the rack can be coupled and through which power can be transmitted from the power distribution units to the electronic equipment.

WO 2008/036848 A3



GM, KE, LS, MW, MZ, NA, SD, SL, SZ, TZ, UG, ZM, ZW), Eurasian (AM, AZ, BY, KG, KZ, MD, RU, TJ, TM), European (AT, BE, BG, CH, CY, CZ, DE, DK, EE, ES, FI, FR, GB, GR, HU, IE, IS, IT, LT, LU, LV, MC, MT, NL, PL, PT, RO, SE, SI, SK, TR), OAPI (BF, BJ, CF, CG, CI, CM, GA, GN, GQ, GW, ML, MR, NE, SN, TD, TG).

**Published:**

— *with international search report*

**(88) Date of publication of the international search report:**  
15 May 2008

INTERNATIONAL SEARCH REPORT

International application No.

PCT/US 07/79083

<p><b>A. CLASSIFICATION OF SUBJECT MATTER</b>                  IPC(8) - H02B 1/20 (2008.01)                  USPC - 361/826                  According to International Patent Classification (IPC) or to both national classification and IPC</p>												
<p><b>B. FIELDS SEARCHED</b></p>												
<p>Minimum documentation searched (classification system followed by classification symbols)                  USPC - 361/826</p>												
<p>Documentation searched other than minimum documentation to the extent that such documents are included in the fields searched                  USPC - 361/601, 622</p>												
<p>Electronic data base consulted during the international search (name of data base and, where practicable, search terms used)                  PubWEST (USPT, PGPB, EPAB, JPAB); DialogPRO (Engineering); Google Scholar                  Search Terms: power distribution unit, PDU, output, load, uninterruptible power supply or souce, UPS, CPS, continuous power supply, backup, battery, rack, communicate, command, removable</p>												
<p><b>C. DOCUMENTS CONSIDERED TO BE RELEVANT</b></p>												
Category*	Citation of document, with indication, where appropriate, of the relevant passages	Relevant to claim No.										
X --- Y	US 2005/0223090 A1 (EWING et al.) 06 October 2005 (06.10.2005); entire document; especially Claims 1, 2; para [0003], [0011], [0026], [0118], [0125]-[0126], [0134], [0143], [0148]	1-3, 5, 8-9, 11, 13-15 ----- 4, 6-7, 10, 12, 16										
Y	US 2006/0072531 A1 (EWING et al.) 06 April 2006 (06.04.2006); entire document, especially Abstract; para [0011]-[0012], [0038], [0142]	4, 12, 16										
Y	US 2004/0010649 A1 (WEAVER et al.) 15 January 2004 (15.01.2004); entire document, especially Abstract; [0007], [0011], [0015], [0022]	6-7, 10										
<p><input type="checkbox"/> Further documents are listed in the continuation of Box C. <input type="checkbox"/></p>												
<p>* Special categories of cited documents:</p> <table border="0"> <tr> <td>"A" document defining the general state of the art which is not considered to be of particular relevance</td> <td>"T" later document published after the international filing date or priority date and not in conflict with the application but cited to understand the principle or theory underlying the invention</td> </tr> <tr> <td>"E" earlier application or patent but published on or after the international filing date</td> <td>"X" document of particular relevance; the claimed invention cannot be considered novel or cannot be considered to involve an inventive step when the document is taken alone</td> </tr> <tr> <td>"L" document which may throw doubts on priority claim(s) or which is cited to establish the publication date of another citation or other special reason (as specified)</td> <td>"Y" document of particular relevance; the claimed invention cannot be considered to involve an inventive step when the document is combined with one or more other such documents, such combination being obvious to a person skilled in the art</td> </tr> <tr> <td>"O" document referring to an oral disclosure, use, exhibition or other means</td> <td>"&amp;" document member of the same patent family</td> </tr> <tr> <td>"P" document published prior to the international filing date but later than the priority date claimed</td> <td></td> </tr> </table>			"A" document defining the general state of the art which is not considered to be of particular relevance	"T" later document published after the international filing date or priority date and not in conflict with the application but cited to understand the principle or theory underlying the invention	"E" earlier application or patent but published on or after the international filing date	"X" document of particular relevance; the claimed invention cannot be considered novel or cannot be considered to involve an inventive step when the document is taken alone	"L" document which may throw doubts on priority claim(s) or which is cited to establish the publication date of another citation or other special reason (as specified)	"Y" document of particular relevance; the claimed invention cannot be considered to involve an inventive step when the document is combined with one or more other such documents, such combination being obvious to a person skilled in the art	"O" document referring to an oral disclosure, use, exhibition or other means	"&" document member of the same patent family	"P" document published prior to the international filing date but later than the priority date claimed	
"A" document defining the general state of the art which is not considered to be of particular relevance	"T" later document published after the international filing date or priority date and not in conflict with the application but cited to understand the principle or theory underlying the invention											
"E" earlier application or patent but published on or after the international filing date	"X" document of particular relevance; the claimed invention cannot be considered novel or cannot be considered to involve an inventive step when the document is taken alone											
"L" document which may throw doubts on priority claim(s) or which is cited to establish the publication date of another citation or other special reason (as specified)	"Y" document of particular relevance; the claimed invention cannot be considered to involve an inventive step when the document is combined with one or more other such documents, such combination being obvious to a person skilled in the art											
"O" document referring to an oral disclosure, use, exhibition or other means	"&" document member of the same patent family											
"P" document published prior to the international filing date but later than the priority date claimed												
<p>Date of the actual completion of the international search                  10 January 2008 (10.01.2008)</p>		<p>Date of mailing of the international search report  <b>26 FEB 2008</b></p>										
<p>Name and mailing address of the ISA/US                  Mail Stop PCT, Attn: ISA/US, Commissioner for Patents                  P.O. Box 1450, Alexandria, Virginia 22313-1450                  Facsimile No. 571-273-3201</p>		<p>Authorized officer:                  Lee W. Young                  PCT Helpdesk: 571-272-4300                  PCT OSP: 571-272-7774</p>										