

(19) World Intellectual Property
Organization
International Bureau



(43) International Publication Date
31 March 2005 (31.03.2005)

PCT

(10) International Publication Number
WO 2005/029389 A3

(51) International Patent Classification⁷: H04Q 5/22

(21) International Application Number:
PCT/US2004/030471

(22) International Filing Date:
16 September 2004 (16.09.2004)

(25) Filing Language: English

(26) Publication Language: English

(30) Priority Data:
10/666,226 17 September 2003 (17.09.2003) US

(63) Related by continuation (CON) or continuation-in-part (CIP) to earlier application:
US 10/666,226 (CON)
Filed on 17 September 2003 (17.09.2003)

(71) Applicant (for all designated States except US): BELLA ID SOLUTIONS, INC. [US/US]; 13034 Polvera Avenue, San Diego, CA 92128 (US).

(72) Inventor; and

(75) Inventor/Applicant (for US only): ROESNER, Bruce, B. [US/US]; 13034 Polvera Avenue, San Diego, CA 92128 (US).

(74) Agent: HUNTER, William, E.; Fish & Richardson P.C., 12390 El Camino Real, San Diego, CA 92130 (US).

(81) Designated States (unless otherwise indicated, for every kind of national protection available): AE, AG, AL, AM, AT, AU, AZ, BA, BB, BG, BR, BW, BY, BZ, CA, CH, CN, CO, CR, CU, CZ, DE, DK, DM, DZ, EC, EE, EG, ES, FI, GB, GD, GE, GH, GM, HR, HU, ID, IL, IN, IS, JP, KE, KG, KP, KR, KZ, LC, LK, LR, LS, LT, LU, LV, MA, MD, MG, MK, MN, MW, MX, MZ, NA, NI, NO, NZ, OM, PG, PH, PL, PT, RO, RU, SC, SD, SE, SG, SK, SL, SY, TJ, TM, TN, TR, TT, TZ, UA, UG, US (patent), UZ, VC, VN, YU, ZA, ZM, ZW.

(84) Designated States (unless otherwise indicated, for every kind of regional protection available): ARIPO (BW, GH, GM, KE, LS, MW, MZ, NA, SD, SL, SZ, TZ, UG, ZM, ZW), Eurasian (AM, AZ, BY, KG, KZ, MD, RU, TJ, TM), European (AT, BE, BG, CH, CY, CZ, DE, DK, EE, ES, FI, FR, GB, GR, HU, IE, IT, LU, MC, NL, PL, PT, RO, SE, SI, SK, TR), OAPI (BF, BJ, CF, CG, CI, CM, GA, GN, GQ, GW, ML, MR, NE, SN, TD, TG).

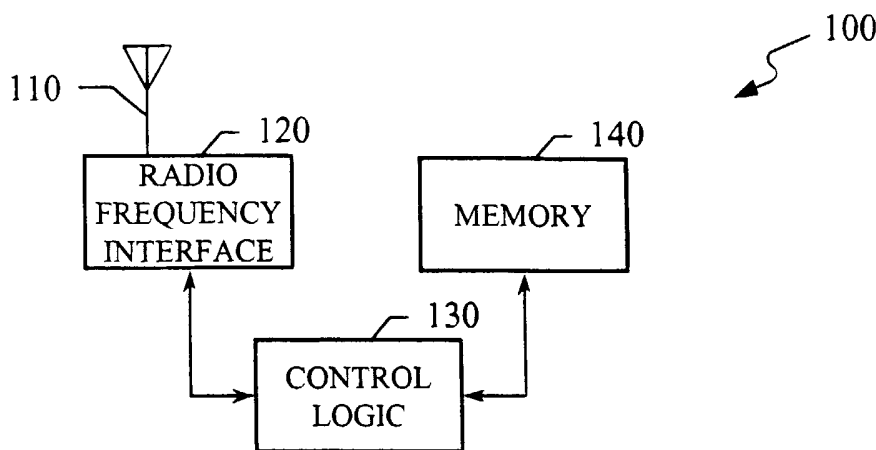
Published:

- with international search report
- before the expiration of the time limit for amending the claims and to be republished in the event of receipt of amendments

(88) Date of publication of the international search report:
16 June 2005

[Continued on next page]

(54) Title: DEEP SLEEP IN AN RFID TAG



(57) Abstract: Systems and techniques to provide radio frequency identification tags including a non-responsive state, which is independent of supplied power, initiated in conjunction with a tag communications reset. In general, in one implementation, a passive radio frequency identification tag includes an antenna, a radio frequency interface coupled with the antenna, and control logic that initiates a deep sleep state in response an event, the deep sleep state including a non-responsive state that is independent of supplied power, and the control logic providing a following state entered upon conclusion of the non-responsive state, where communications initiate from the following state.

WO 2005/029389 A3



For two-letter codes and other abbreviations, refer to the "Guidance Notes on Codes and Abbreviations" appearing at the beginning of each regular issue of the PCT Gazette.

INTERNATIONAL SEARCH REPORT

International application No.

PCT/US04/30471

A. CLASSIFICATION OF SUBJECT MATTER

IPC(7) : H04Q 5/22
 US CL : 340/010330

According to International Patent Classification (IPC) or to both national classification and IPC

B. FIELDS SEARCHED

Minimum documentation searched (classification system followed by classification symbols)

U.S. : 340/10.330, 10.2, 10.3, 10.4, 10.1, 572.3

Documentation searched other than minimum documentation to the extent that such documents are included in the fields searched

Electronic data base consulted during the international search (name of data base and, where practicable, search terms used)
 Please See Continuation Sheet

C. DOCUMENTS CONSIDERED TO BE RELEVANT

Category *	Citation of document, with indication, where appropriate, of the relevant passages	Relevant to claim No.
X ---	US 5,963,144 A (KRUEST) 05 October 1999, fig. 1, col. 5, lines 1-20, col. 2, line 62 to col. 3, line 15.	1-4, 15, 16, 27, -----
Y		5,13,14,17-19,24-26
Y	US 6,104,333 A (WOOD, JR.) 15 August 2000, col. 8, lines 14-25.	5,14,17,18
Y	US 5,942,978 A (SHAFER) 24 August 1999, col. 1, lines 33-36, and col. 2, lines 9-14 and 31-39.	19, 24-26
Y,P	US 6,661,336 B1 (ATKINS et al) 09 December 2003, fig. 2, col. 3, line 43-45 and col. 5, lines 40-55.	25, 26
Y	US 5,990,794 A (ALICOT et al) 23 November 1999, col. 2, lines 1-15.	13, 26
A,P	US 6,690,264 B2 (DALGLISH) 10 February 2004, see entire document.	1-28
A	US 6,072,383 A (GALLAGHER III et al) 06 June 2000, see entire document.	1-28

Further documents are listed in the continuation of Box C.

See patent family annex.

* Special categories of cited documents:

"A" document defining the general state of the art which is not considered to be of particular relevance

"E" earlier application or patent published on or after the international filing date

"L" document which may throw doubts on priority claim(s) or which is cited to establish the publication date of another citation or other special reason (as specified)

"O" document referring to an oral disclosure, use, exhibition or other means

"P" document published prior to the international filing date but later than the priority date claimed

"T"

later document published after the international filing date or priority date and not in conflict with the application but cited to understand the principle or theory underlying the invention

"X"

document of particular relevance; the claimed invention cannot be considered novel or cannot be considered to involve an inventive step when the document is taken alone

"Y"

document of particular relevance; the claimed invention cannot be considered to involve an inventive step when the document is combined with one or more other such documents, such combination being obvious to a person skilled in the art

"&"

document member of the same patent family

Date of the actual completion of the international search

20 April 2005 (20.04.2005)

Date of mailing of the international search report

29 APR 2005

Name and mailing address of the ISA/US

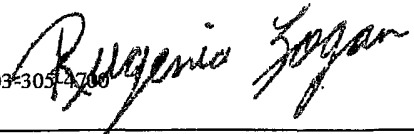
Mail Stop PCT, Attn: ISA/US
 Commissioner for Patents
 P.O. Box 1450
 Alexandria, Virginia 22313-1450

Facsimile No. (703) 305-3230

Authorized officer

Kenneth Wieder

Telephone No. 703-305-4700



INTERNATIONAL SEARCH REPORT

International application No.
PCT/US04/30471

Continuation of B. FIELDS SEARCHED Item 3:
USPAT; US-PGPUB; USOCR; EPO; JPO DERWENT; IBM_TDB
respon\$4 sleep with independent with power

**WRITTEN OPINION OF THE
INTERNATIONAL SEARCHING AUTHORITY**

International application No.
PCT/US04/30471

Supplemental Box

In case the space in any of the preceding boxes is not sufficient.