



US00D777803S

(12) **United States Design Patent**  
**Wuisan et al.**

(10) **Patent No.:** **US D777,803 S**  
(45) **Date of Patent:** **\*\* Jan. 31, 2017**

(54) **CONTROL DEVICE**  
(71) Applicant: **Deere & Company**, Moline, IL (US)  
(72) Inventors: **Giovanni A. Wuisan**, Epworth, IA (US); **Ronald J. Huber**, Dubuque, IA (US); **Stephen Bonneau**, Dubuque, IA (US); **Jed D. Polzin**, Platteville, WI (US); **Nathan J. Horstman**, Durango, IA (US); **Leah F. Beaver**, East Dubuque, IL (US)  
(73) Assignee: **DEERE & COMPANY**, Moline, IL (US)

D526,757 S \* 8/2006 Bergman ..... D14/415  
D568,796 S \* 5/2008 Oliver ..... D12/179  
7,511,236 B2 \* 3/2009 Mack ..... G05G 1/01  
200/6 A  
D598,023 S \* 8/2009 Miller ..... D12/174  
D635,155 S \* 3/2011 Blind ..... D15/28  
D656,073 S \* 3/2012 Foerster ..... D12/179  
D695,792 S \* 12/2013 Jensen ..... D15/28  
D712,807 S \* 9/2014 Magana ..... D12/179  
D725,681 S \* 3/2015 Bonneau ..... D15/28  
D744,544 S \* 12/2015 Wuisan ..... D15/28  
D749,647 S \* 2/2016 Inaoka ..... D15/28  
9,315,103 B2 \* 4/2016 Yamauchi ..... B60K 26/02  
9,342,091 B2 \* 5/2016 Wuisan ..... G05G 1/06  
D759,731 S \* 6/2016 Roemer ..... D15/28

(Continued)

(\*\*) Term: **15 Years**

*Primary Examiner* — Mark Goodwin

(21) Appl. No.: **29/543,288**

(57) **CLAIM**

The ornamental design for a control device, as shown and described.

(22) Filed: **Oct. 22, 2015**

(51) **LOC (10) Cl.** ..... **15-03**

(52) **U.S. Cl.**  
USPC ..... **D15/28**

**DESCRIPTION**

(58) **Field of Classification Search**  
USPC ..... D15/11, 17, 18, 28, 142; D12/179, 174; D14/117.4; D34/28, 34, 35; 74/471 XY, 74/475, 489, 523, 473.1; 345/161, 156, 345/163; 463/37, 38  
CPC .... G09G 5/08; G09G 5/00; G05G 2009/0474; G05G 2009/04777; G05G 2009/04781; G05G 9/047; G05G 9/00; G05G 1/58; G05G 1/01; G05G 1/06; G06F 3/03543; G06F 2203/0333; Y10T 74/20201

FIG. 1 is a perspective view of a control device embodying the claimed design.  
FIG. 2 is a right side view thereof.  
FIG. 3 is a left side view thereof.  
FIG. 4 is a rear view thereof.  
FIG. 5 is a front view thereof.  
FIG. 6 is a top view thereof; and,  
FIG. 7 is a bottom view thereof with a portion of the environment removed to improve visibility of the control device.

See application file for complete search history.

The claimed design is shown in solid lines in the drawings. The portions of the drawings shown in broken lines form no part of the claimed design. The portions of the drawings shown in broken lines having unequal segments illustrate the boundary of the claimed design and form no part of the claimed design.

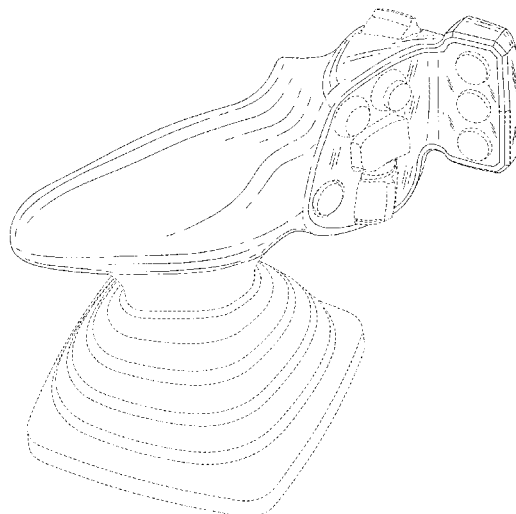
(56) **References Cited**

**U.S. PATENT DOCUMENTS**

D506,422 S \* 6/2005 Crookes ..... D12/179  
7,036,250 B2 \* 5/2006 Dressler ..... E02F 9/2004  
180/326

The present disclosure relates to a control device, such as a control grip for a work vehicle.

**1 Claim, 7 Drawing Sheets**



(56)

**References Cited**

U.S. PATENT DOCUMENTS

2006/0176273 A1\* 8/2006 Wolfe ..... G06F 3/0338  
345/156  
2008/0128253 A1\* 6/2008 Mack ..... G05G 1/01  
200/5 R

\* cited by examiner

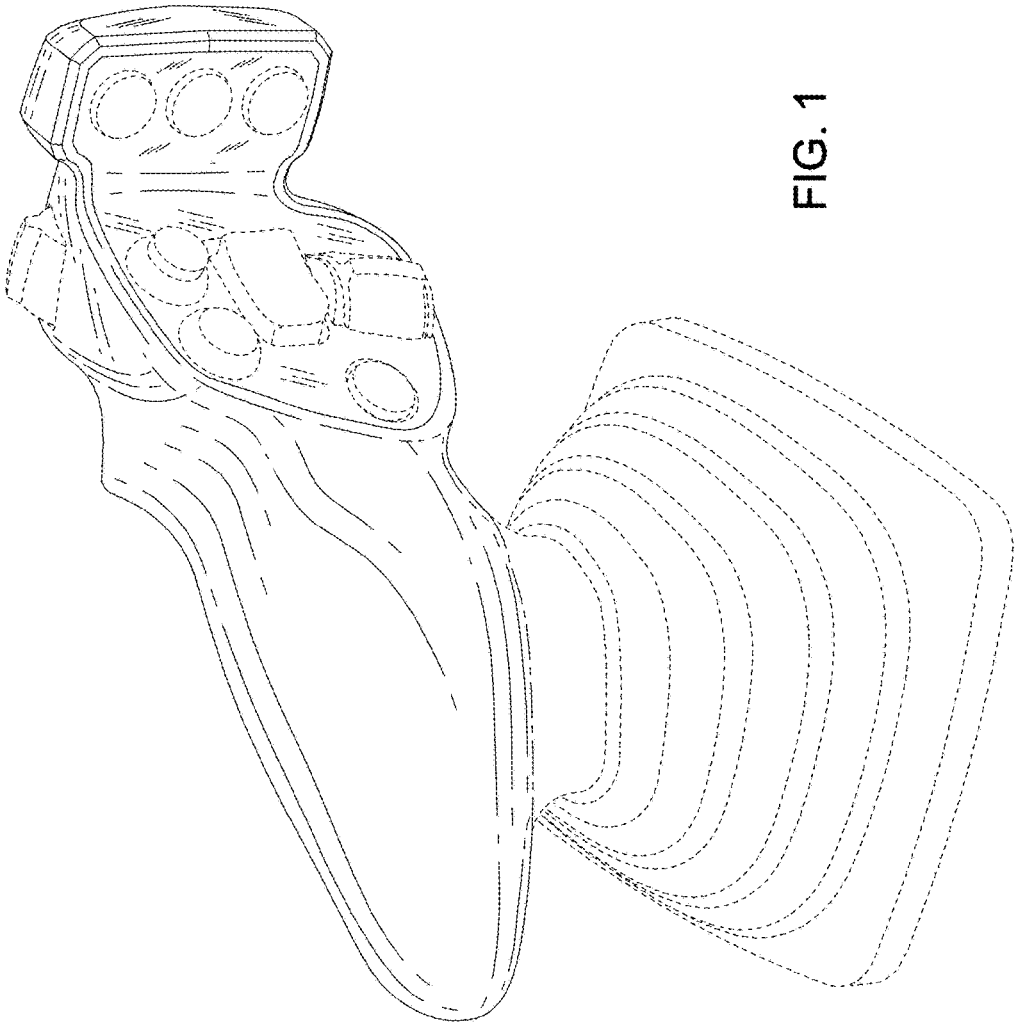


FIG. 1

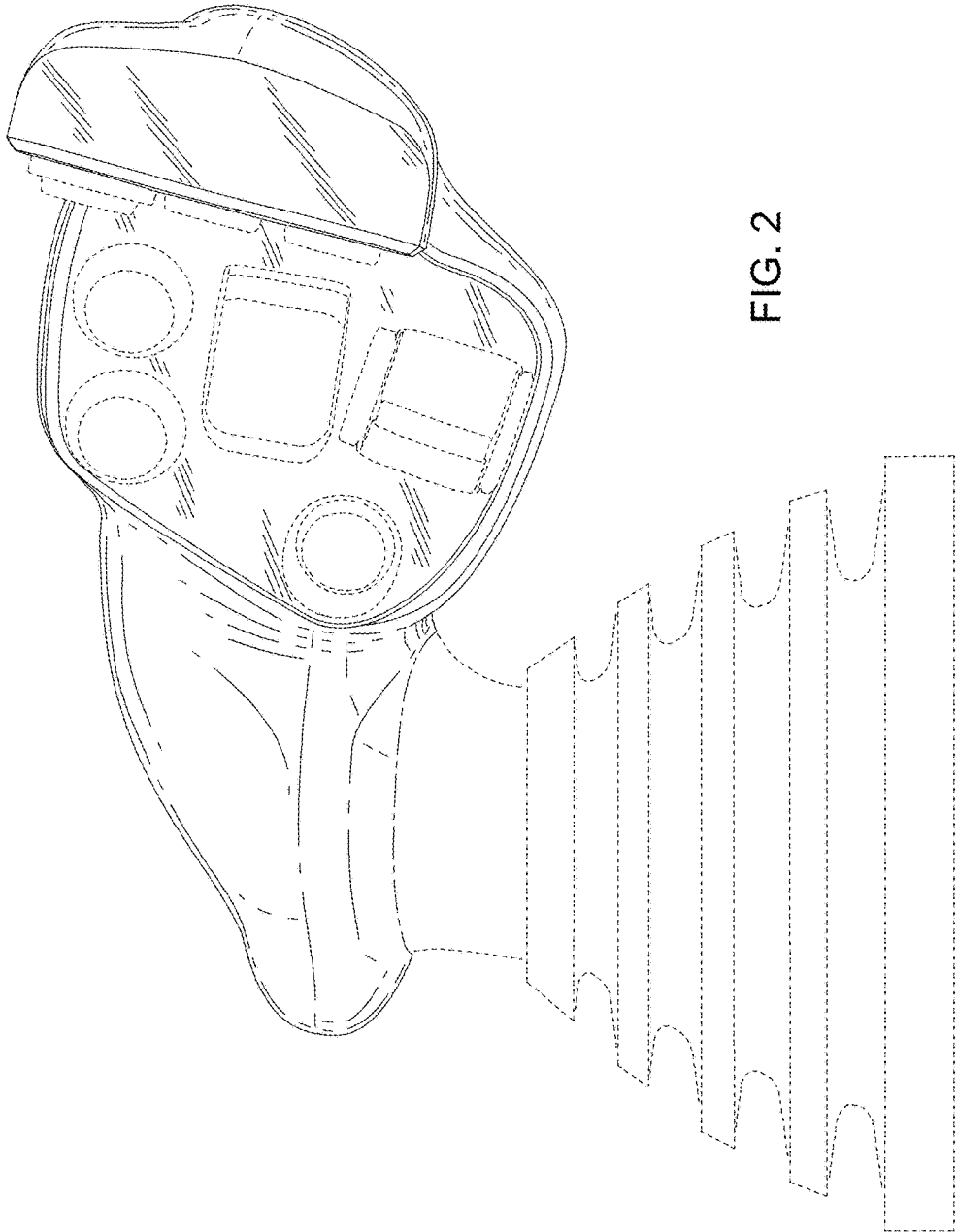


FIG. 2

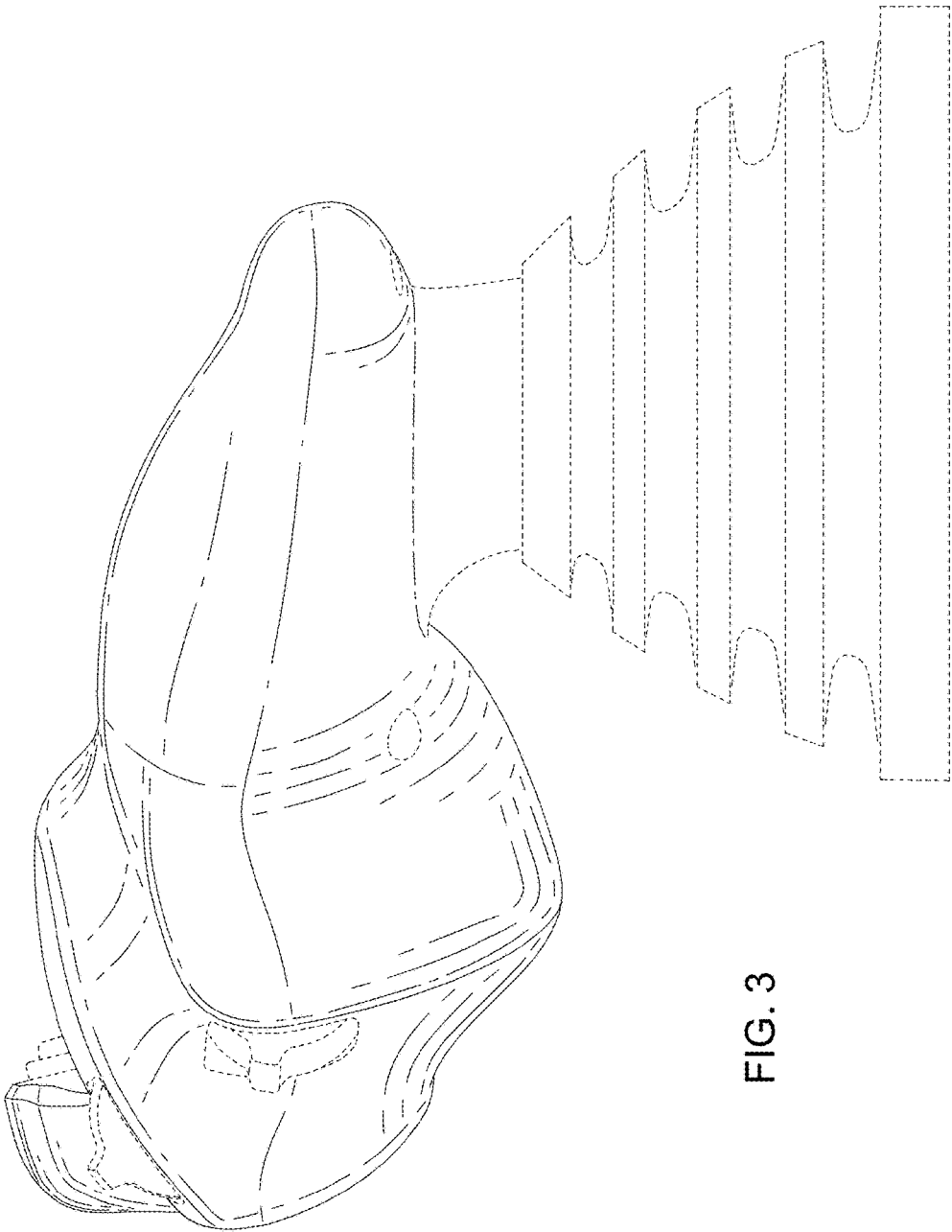


FIG. 3

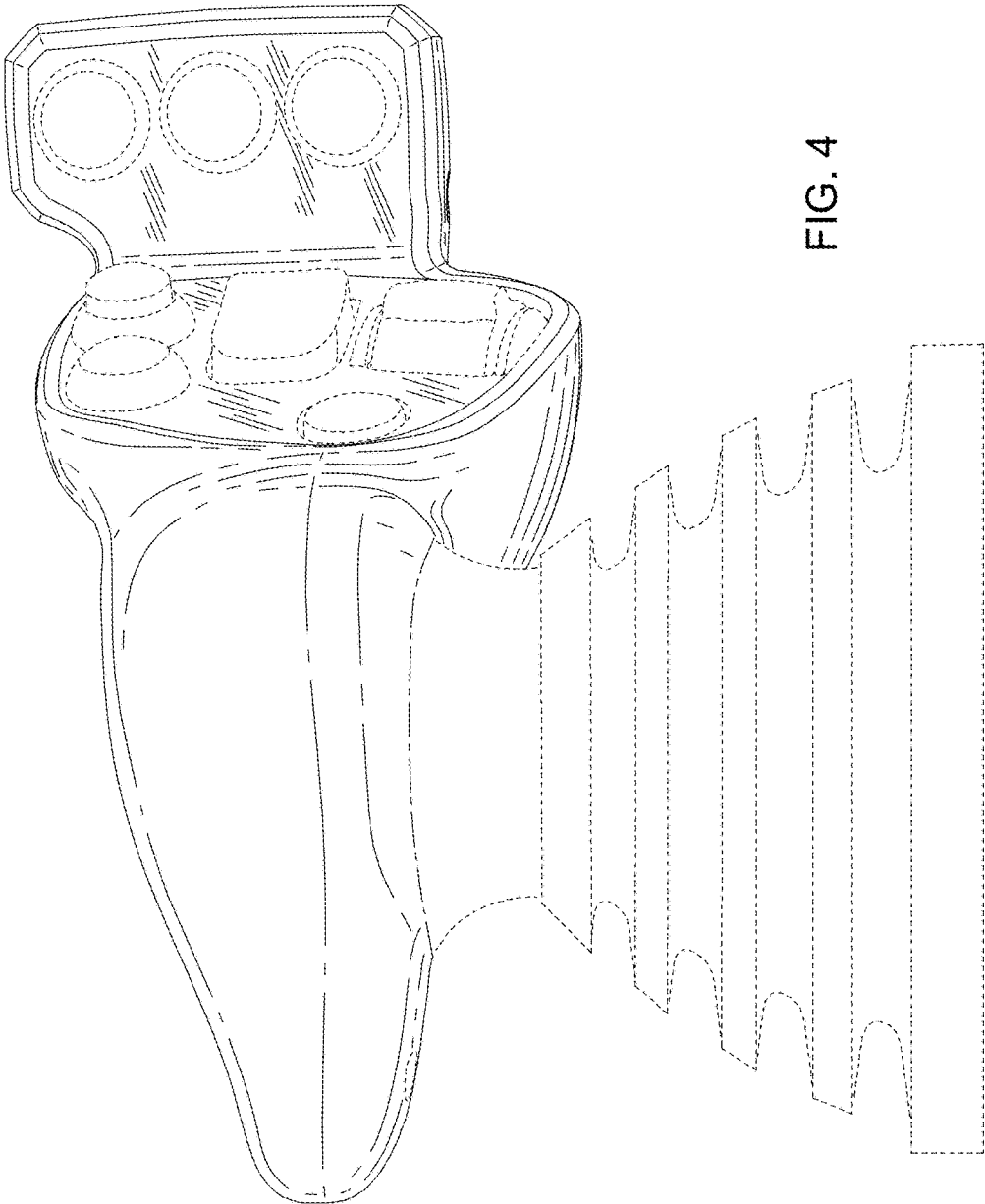


FIG. 4

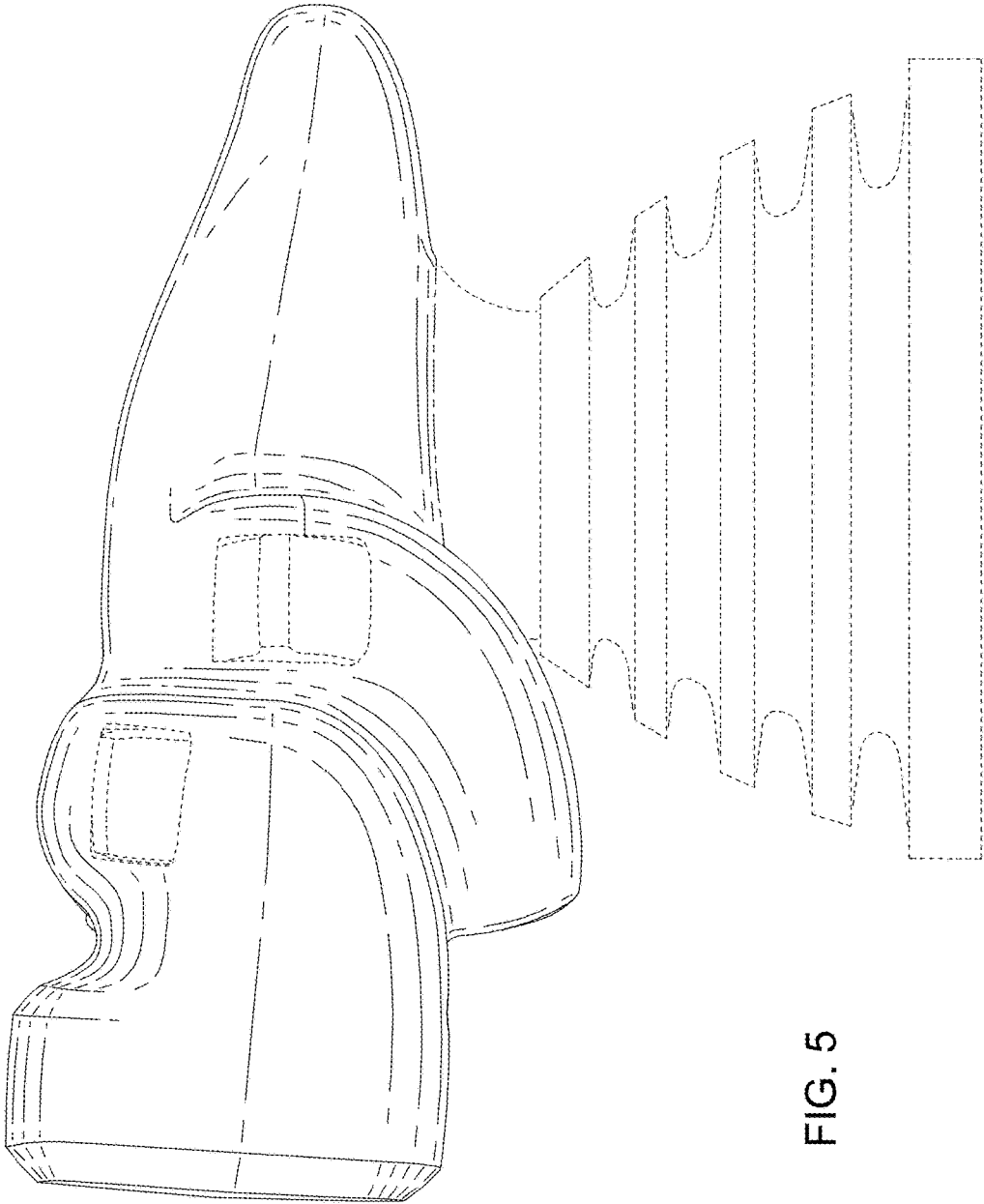


FIG. 5

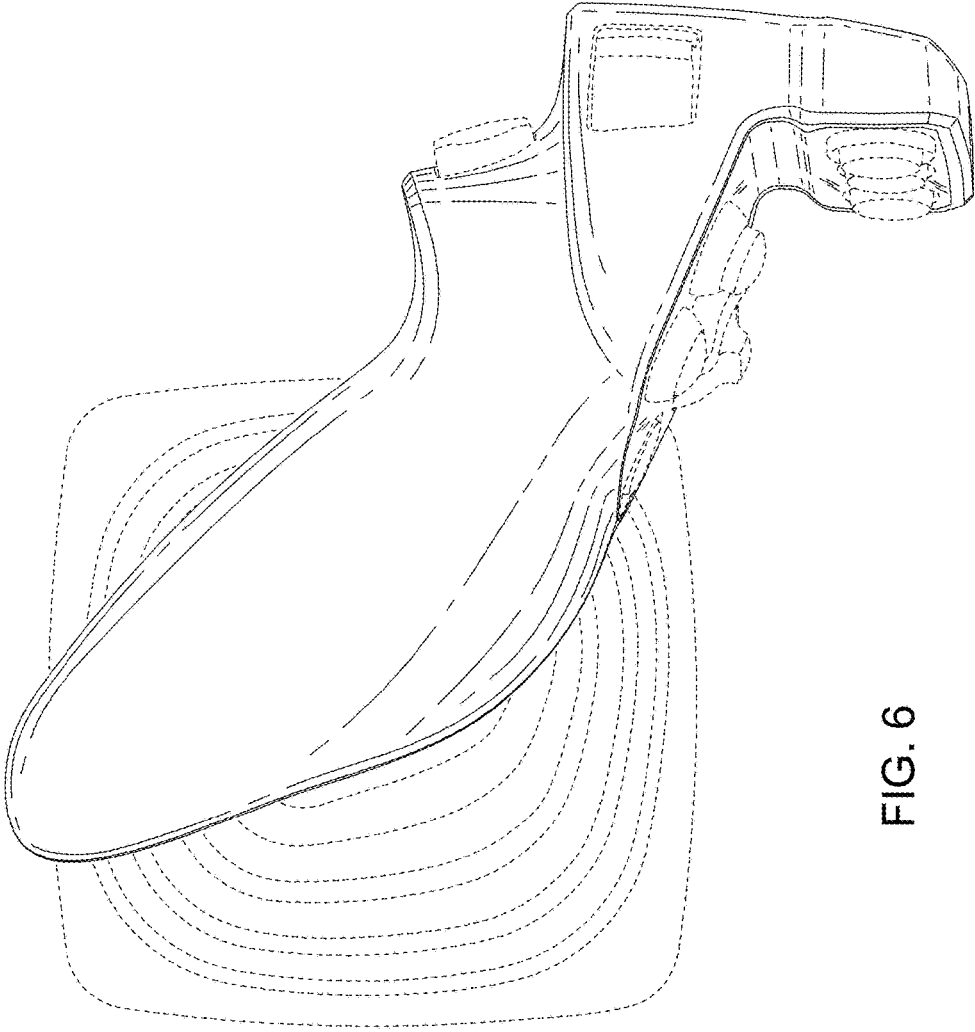


FIG. 6



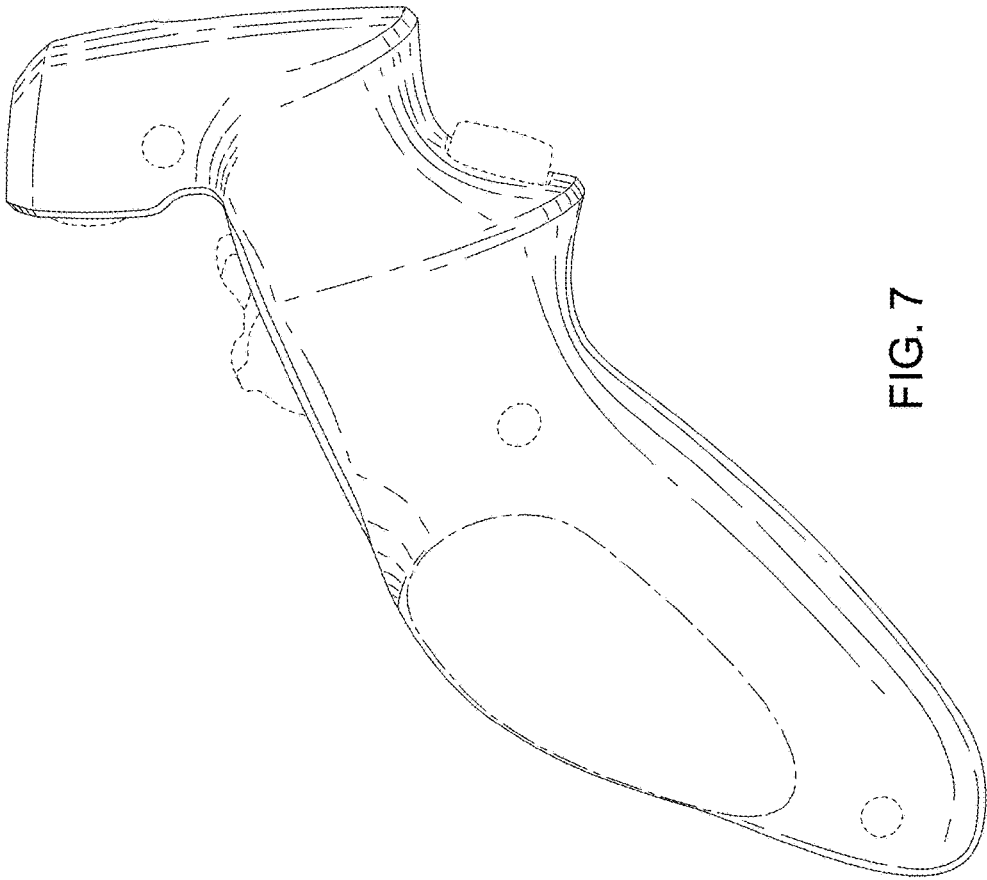


FIG. 7