



US0D1065893S

(12) **United States Design Patent**  
**Voigt**

(10) **Patent No.:** **US D1,065,893 S**

(45) **Date of Patent:** **\*\* Mar. 11, 2025**

(54) **GRILL BOX TABLE**

(71) Applicant: **Matthew Voigt**, Middleburg, FL (US)

(72) Inventor: **Matthew Voigt**, Middleburg, FL (US)

(\*\*) Term: **15 Years**

(21) Appl. No.: **29/849,962**

(22) Filed: **Aug. 16, 2022**

(51) **LOC (15) Cl.** ..... **06-03**

(52) **U.S. Cl.**  
USPC ..... **D6/686; D6/691**

(58) **Field of Classification Search**  
USPC ..... D6/329, 406.1, 406.3, 406.5, 406.6, 641,  
D6/642, 656, 656.1, 656.16, 656.17,  
D6/656.18, 656.19, 685, 686, 691, 691.1,  
D6/691.2  
CPC ..... A47J 37/0763; A47J 37/0704; A47J  
2037/0777; A47B 3/087; A47B 23/001;  
A47B 23/00

See application file for complete search history.

(56) **References Cited**

**U.S. PATENT DOCUMENTS**

3,181,483	A *	5/1965	Devitt	.....	A47B 31/06 108/159
4,972,781	A *	11/1990	Montgomery	.....	A47B 3/08 108/19
D319,358	S *	8/1991	Giugiaro	.....	D6/406.6
5,383,411	A *	1/1995	Tomaka	.....	A47B 23/001 108/132
D377,273	S *	1/1997	Amos	.....	D6/406.6
6,302,097	B1 *	10/2001	Rivera	.....	A47J 37/0781 126/41 R
6,779,466	B2	8/2004	Shabram		
7,080,640	B2	7/2006	Sanders		
7,461,602	B2	12/2008	Stanford		
D593,769	S *	6/2009	Jeup	.....	D6/656

9,021,964	B2	5/2015	Peng		
D846,315	S *	4/2019	Lin	.....	D6/656.19
D948,236	S *	4/2022	Wu	.....	D6/406.5
D996,069	S *	8/2023	Flynn	.....	D6/329
D1,005,757	S *	11/2023	Sun	.....	D6/686
D1,006,499	S *	12/2023	Prendergast	.....	D6/642
D1,037,718	S *	8/2024	Bruggeman	.....	D6/642
D1,037,736	S *	8/2024	Carter	.....	D6/691

**OTHER PUBLICATIONS**

Yukon, Outdoor Grill & Griddle Table, available in yukonglory.com, customer review date Jul. 22, 2022 [online], [site visited Oct. 1, 2024], Internet URL: <https://yukonglory.com/products/outdoor-grill-table> (Year: 2022).\*

(Continued)

*Primary Examiner* — Jae Liang  
*Assistant Examiner* — Bryan C Gusman  
(74) *Attorney, Agent, or Firm* — Lawrence J. Gibney

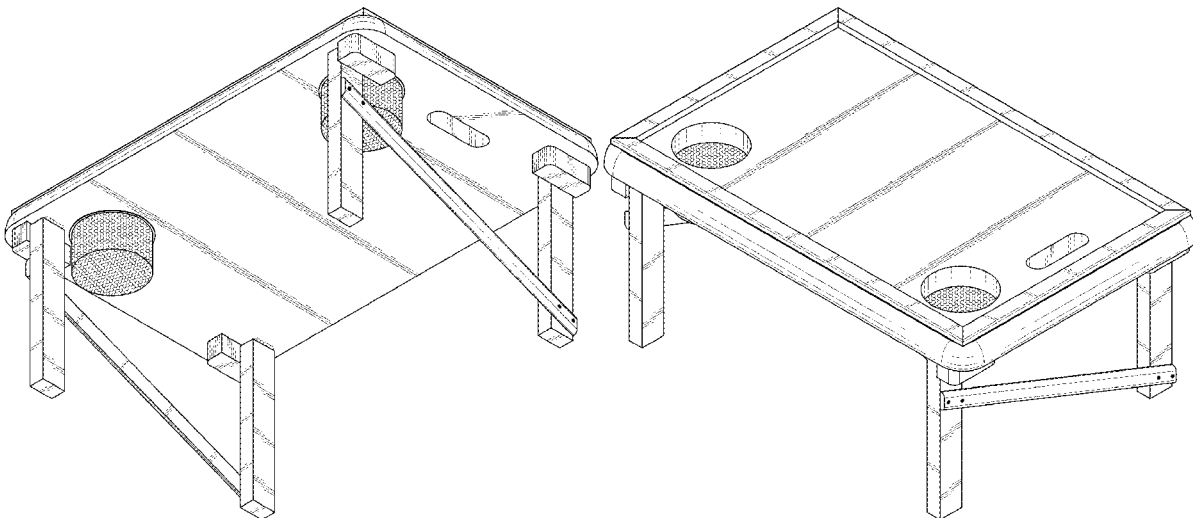
(57) **CLAIM**

The ornamental design for a grill box table as shown and described.

**DESCRIPTION**

FIG. 1 is a bottom elevational view of a grill box table with legs collapsed showing my new design;  
FIG. 2 is a bottom elevational view with legs extended thereof;  
FIG. 3 is a top elevational view with legs extended thereof;  
FIG. 4 is a front elevational view thereof;  
FIG. 5 is a rear elevational view thereof;  
FIG. 6 is a top elevational view thereof;  
FIG. 7 is a bottom view thereof;  
FIG. 8 is a left side view thereof; and,  
FIG. 9 is a right side view.

**1 Claim, 9 Drawing Sheets**



(56)

**References Cited**

OTHER PUBLICATIONS

Imountek, Portable Grill Table, iMounTEK Collapsible Picnic Grill Stand Desk Adjustable Height for Outdoor, Beach, Picnic, available in [walmart.com](https://www.walmart.com), customer review date Jul. 26, 2023 [online], [site visited Oct. 1, 2024], Internet URL: <https://www.walmart.com/ip/Portable-Grill-Table-iMounTEK-Collapsible-Picni> (Year: 2023).\*

Snow Peak, Entry IGT, available in [snowpeak.com](https://www.snowpeak.com), customer review date Oct. 15, 2020 [online], [site visited Oct. 1, 2024], Internet URL: <https://www.snowpeak.com/products/entry-igt-table#reviews-section> (Year: 2020).\*

Zorpupoa, Portable Charcoal Grill, Barbecue Desk Tabletop Barbecue Grill, Mini Smoker Stainless Steel Folding Small BBQ Grill, available in [youtube.com](https://www.youtube.com), customer review date Jul. 16, 2024 [online], [site visited Oct. 2, 2024 (Year: 2024)].\*

\* cited by examiner

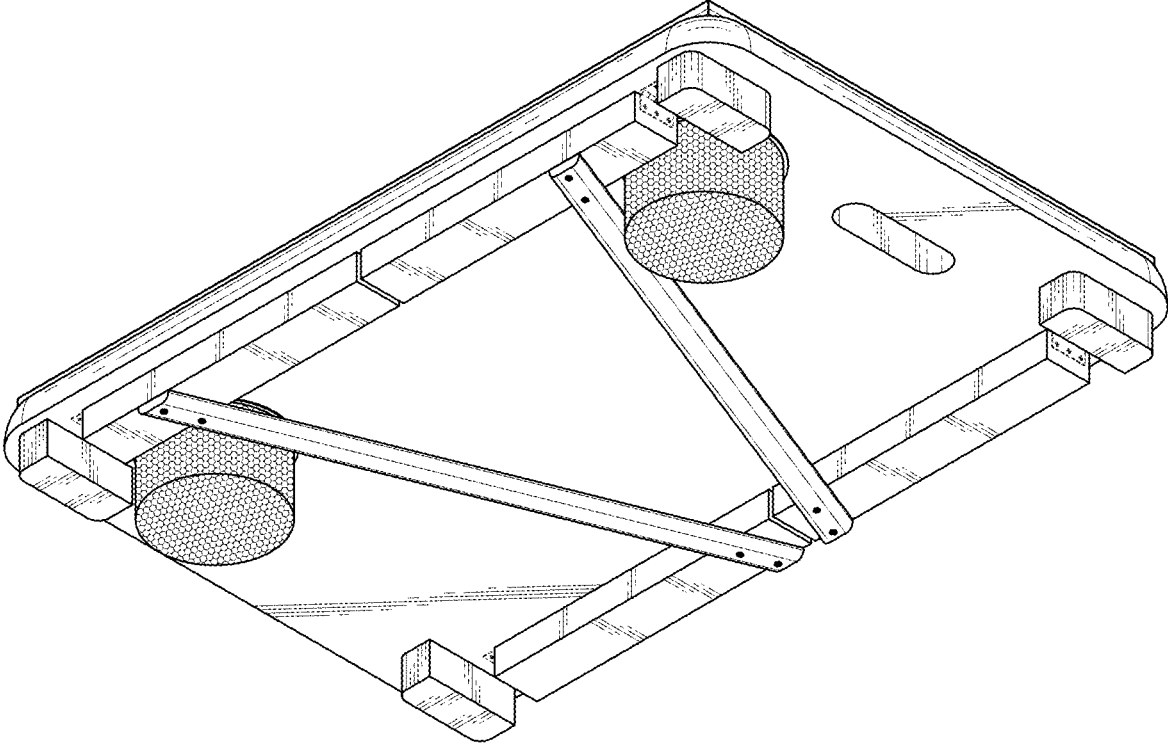


FIG. 1

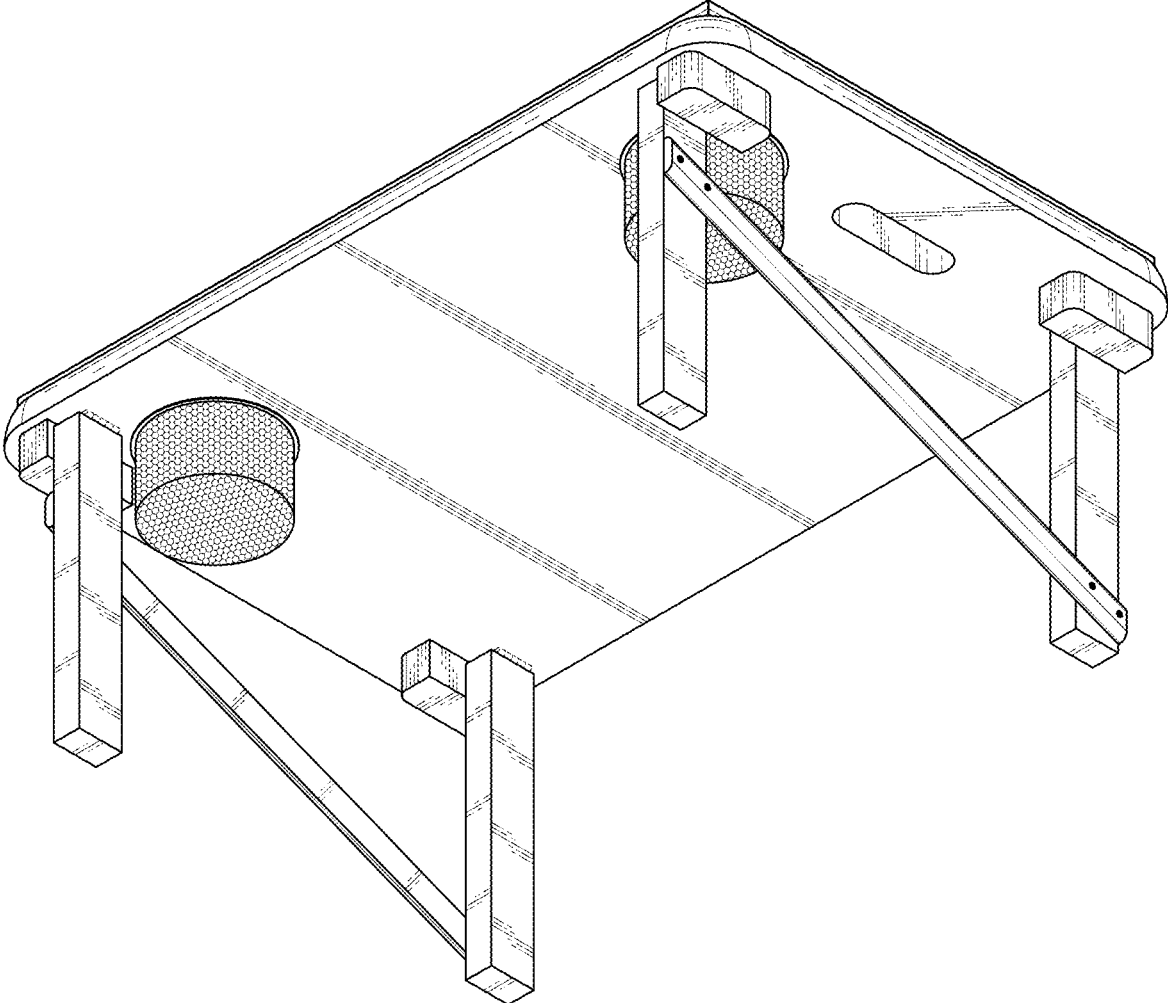


FIG. 2

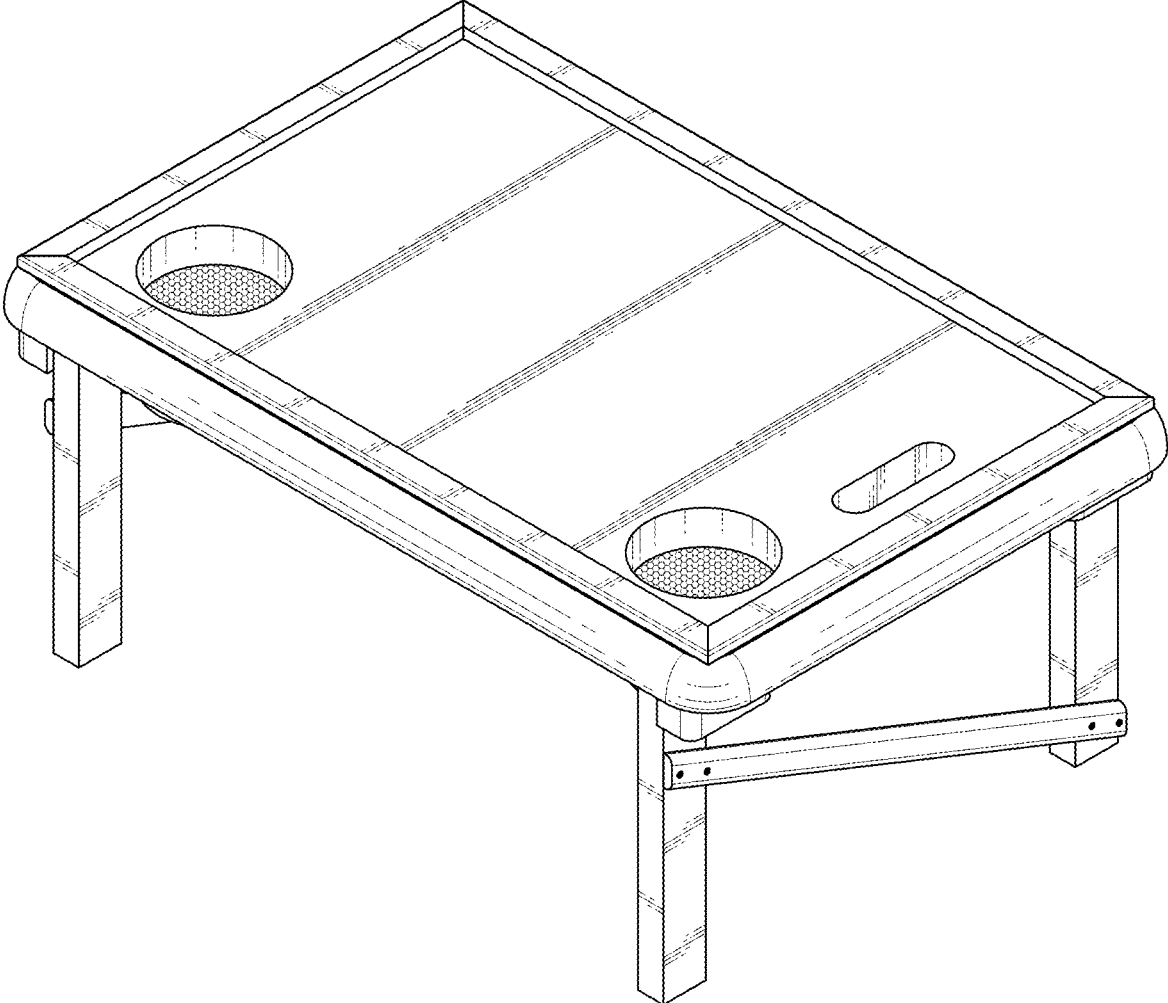


FIG. 3

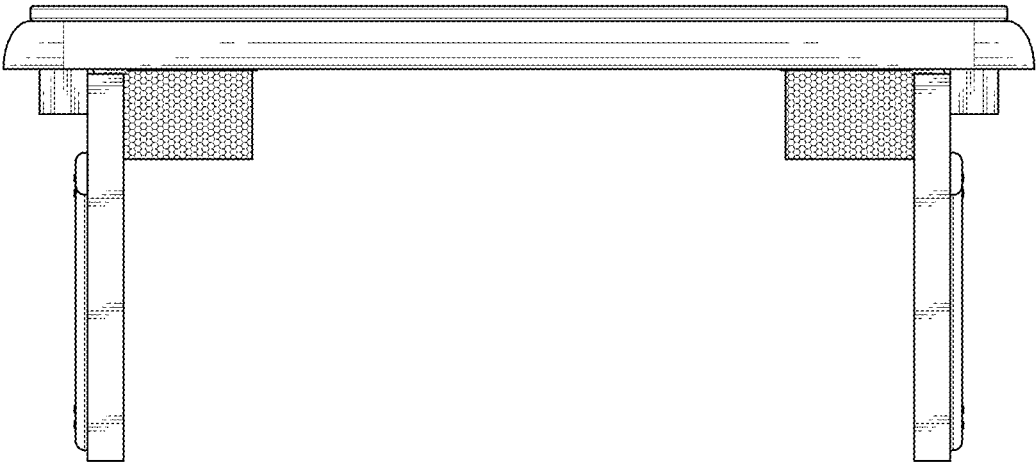


FIG. 4

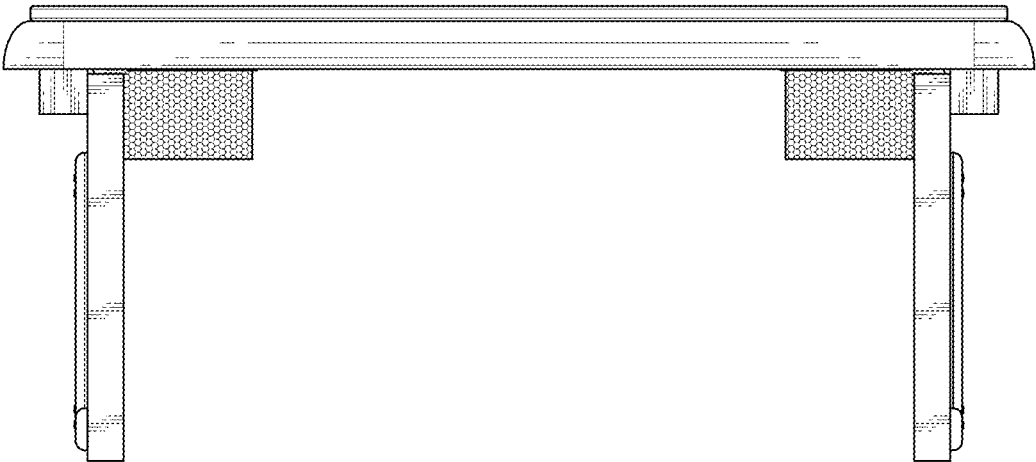


FIG. 5

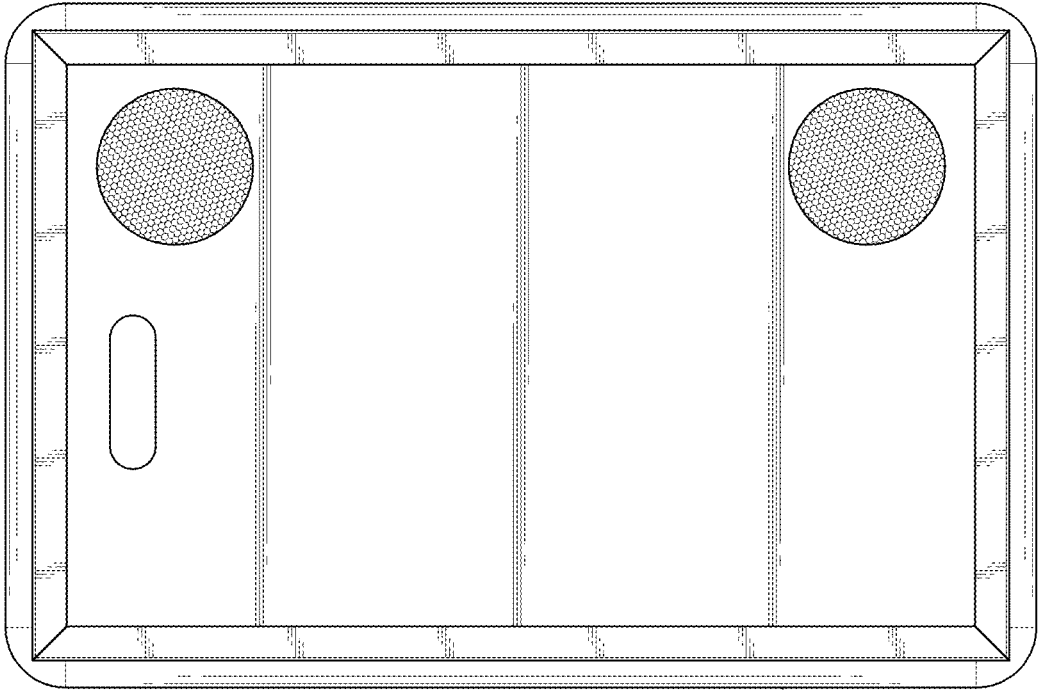


FIG. 6

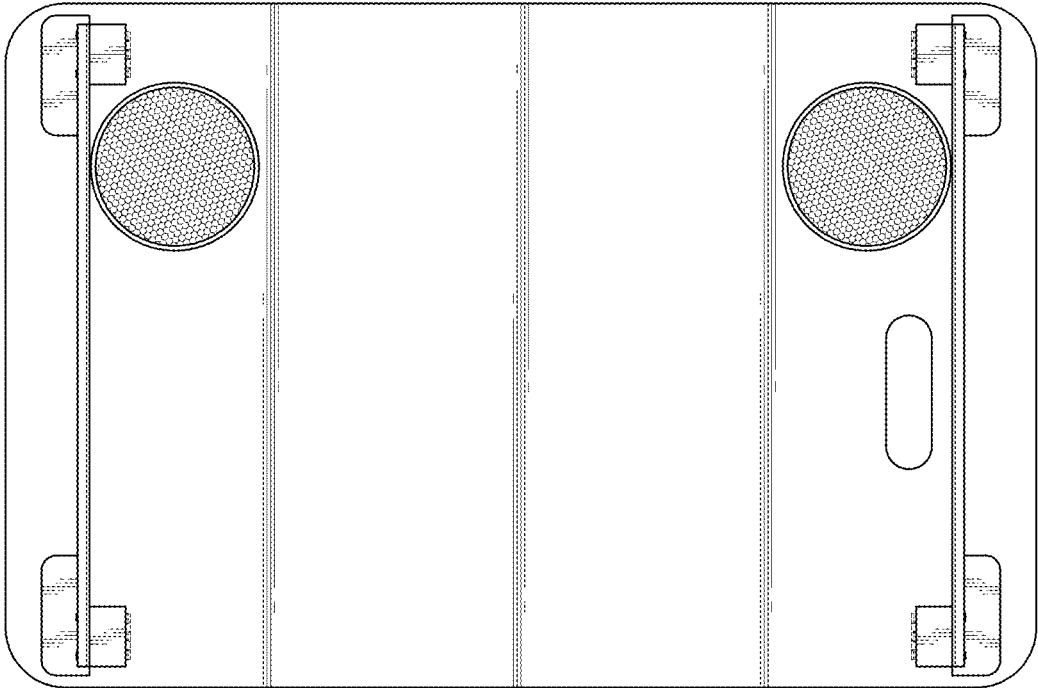


FIG. 7

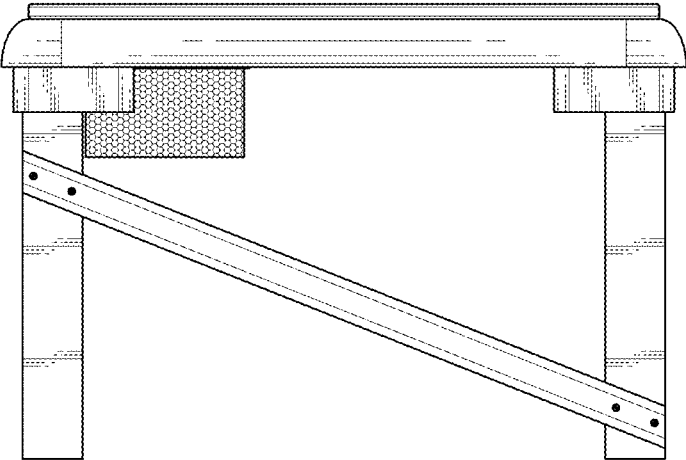


FIG. 8

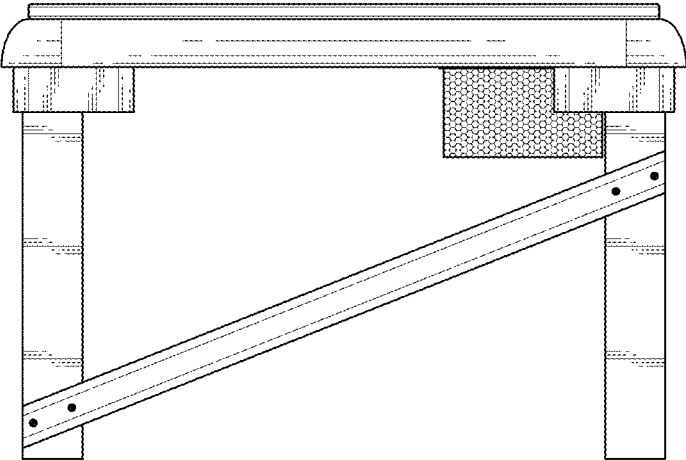


FIG. 9