



US0D1069019S

(12) **United States Design Patent**  
**Mozes**

(10) **Patent No.:** **US D1,069,019 S**

(45) **Date of Patent:** **\*\* Apr. 1, 2025**

(54) **CHAMBER FLAG TO SAFETY A BOLT ACTION RIFLE**

D828,477 S \* 9/2018 Warburton ..... D22/108  
D987,009 S \* 5/2023 Jastrauig ..... D21/573  
11,656,047 B1 \* 5/2023 Cole ..... F41A 9/53  
42/1.05

(71) Applicant: **Controlled Molding Inc.**, Hadley, PA (US)

D999,325 S \* 9/2023 Rumpke ..... D22/108

\* cited by examiner

(72) Inventor: **Raymond Mozes**, Hadley, PA (US)

*Primary Examiner* — Michael A. Pratt

(73) Assignee: **Controlled Molding Inc.**, Hadley, PA (US)

(74) *Attorney, Agent, or Firm* — Jonathan M. D'Silva;  
MMI Intellectual Property

(\*\*) Term: **15 Years**

(57) **CLAIM**

(21) Appl. No.: **29/875,315**

The ornamental design for a chamber flag to safety a bolt action rifle, as shown and described.

(22) Filed: **May 2, 2023**

(51) **LOC (15) Cl.** ..... **22-01**

**DESCRIPTION**

(52) **U.S. Cl.**

USPC ..... **D22/108**

(58) **Field of Classification Search**

USPC ..... D22/108; D21/567, 572-575; D14/418;  
D10/109.1

CPC ..... F41A 3/18; F41A 3/26; F41A 3/72; F41A  
7/00; F41A 7/02; F41A 35/06

See application file for complete search history.

FIG. 1 is a perspective view of an embodiment of a chamber flag to safety a bolt action rifle;

FIG. 2 is another perspective view of the chamber flag of FIG. 1;

FIG. 3 is another perspective view of the chamber flag of FIG. 1;

FIG. 4 is another perspective view of the chamber flag of FIG. 1;

FIG. 5 is a top view of the chamber flag of FIG. 1;

FIG. 6 is a bottom view of the chamber flag of FIG. 1;

FIG. 7 is a right side view of the chamber flag of FIG. 1;

FIG. 8 is a left side view of the chamber flag of FIG. 1;

FIG. 9 is a front view of the chamber flag of FIG. 1;

FIG. 10 is a back view of the chamber flag of FIG. 1; and,  
FIG. 11 is a perspective view showing the chamber flag installed in a bolt action rifle to safety the bolt action rifle.

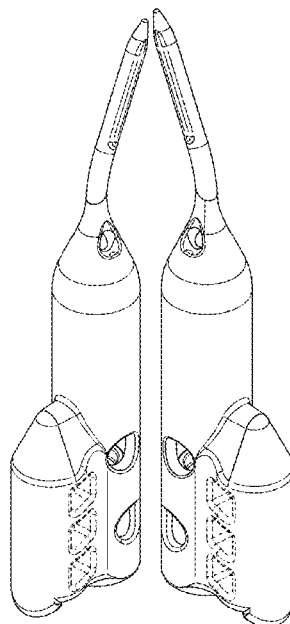
It will be understood that the dotted lines presented in the drawings are for illustration only, and do not form a part of the claimed design.

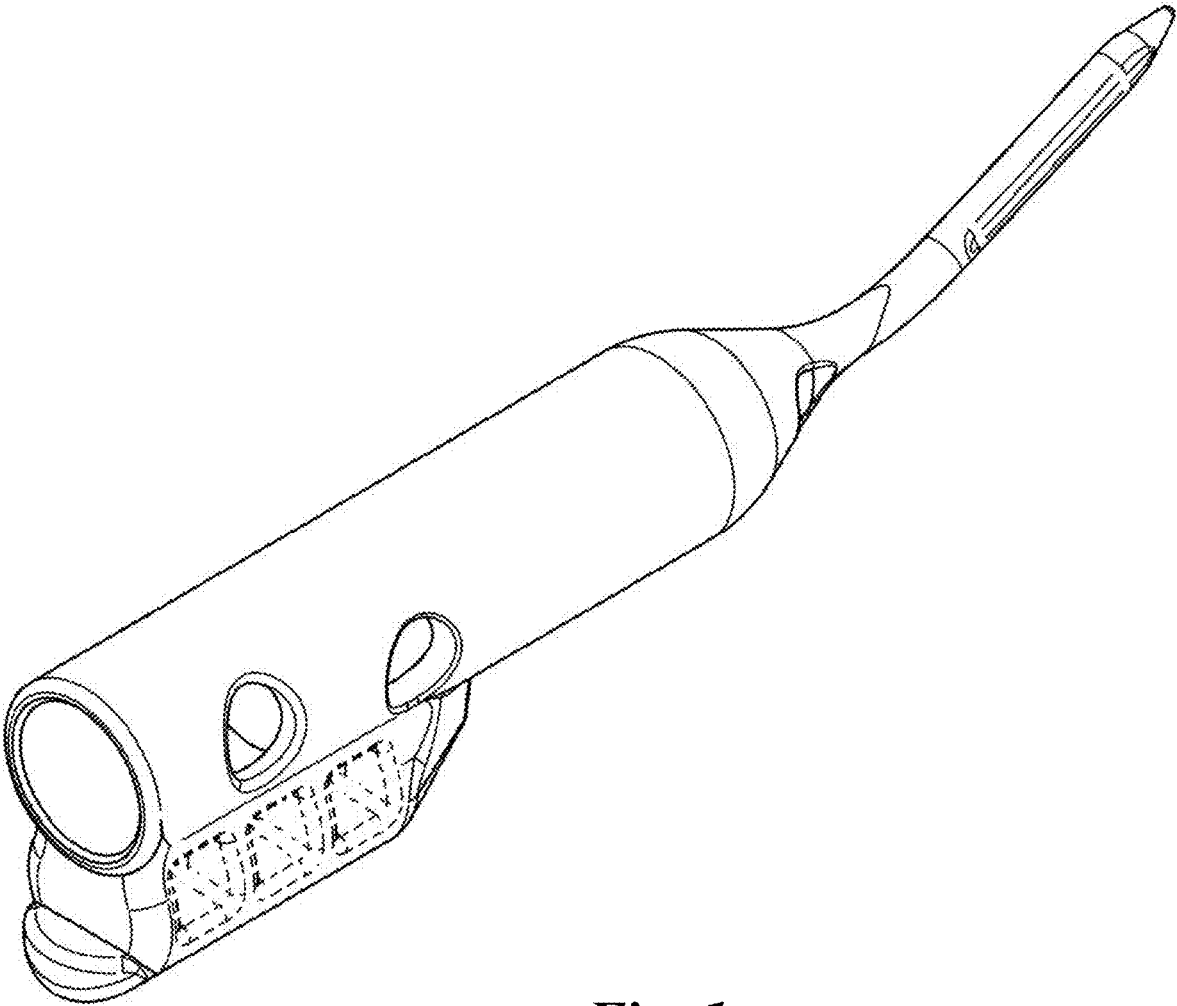
(56) **References Cited**

**U.S. PATENT DOCUMENTS**

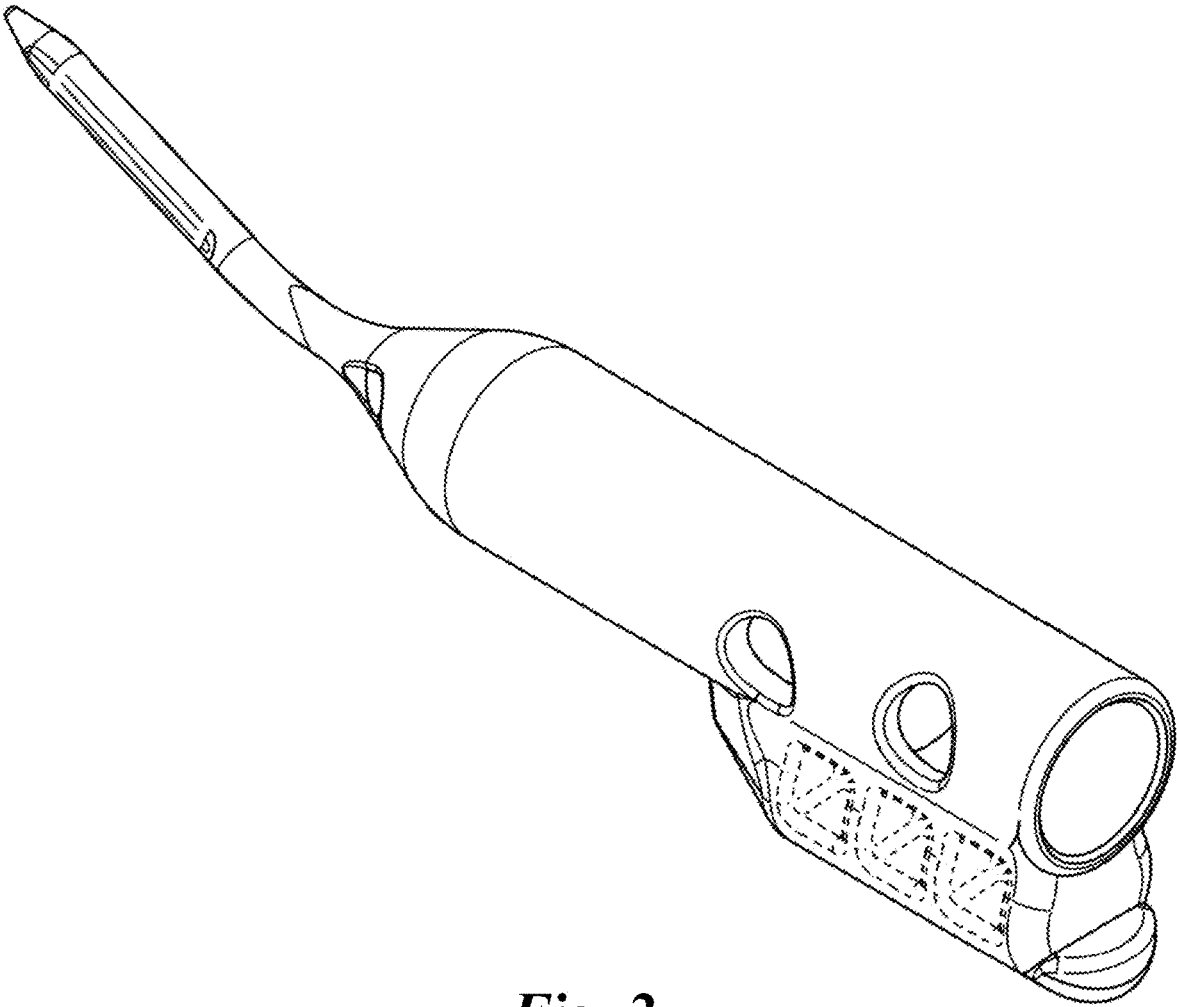
|           |      |         |                |       |                        |
|-----------|------|---------|----------------|-------|------------------------|
| 4,965,952 | A *  | 10/1990 | Miller         | ..... | F41A 17/44<br>42/1.05  |
| 5,097,613 | A *  | 3/1992  | Miller         | ..... | F41A 17/44<br>42/70.11 |
| 5,446,988 | A *  | 9/1995  | Frederick, Jr. | ..... | F41A 17/44<br>42/70.11 |
| 6,250,008 | B1 * | 6/2001  | Silver         | ..... | F41A 17/44<br>42/70.11 |
| D590,039  | S *  | 4/2009  | Miller         | ..... | D22/199                |
| 9,810,499 | B1 * | 11/2017 | Silver         | ..... | F41A 15/14             |
| D827,761  | S *  | 9/2018  | Rumpke         | ..... | D22/108                |

**1 Claim, 11 Drawing Sheets**

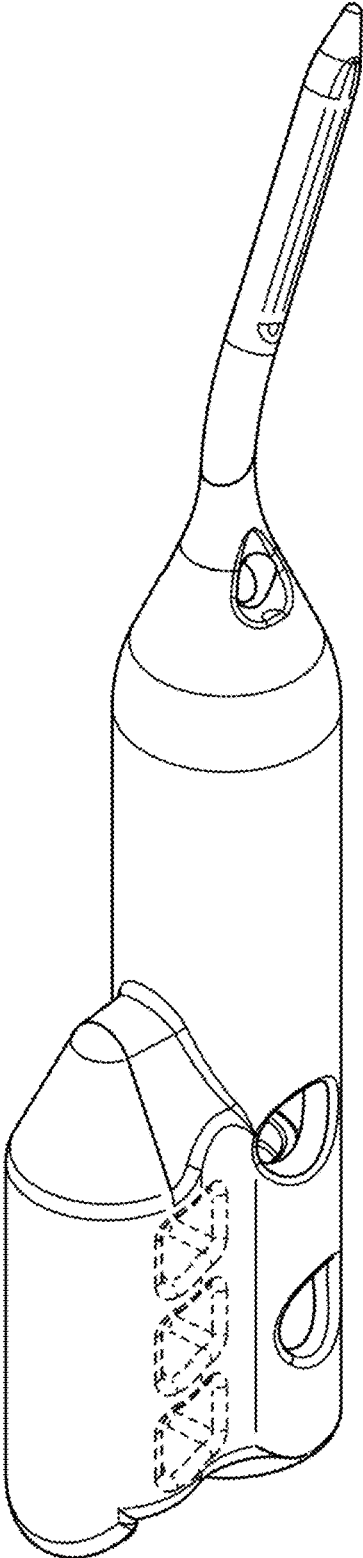




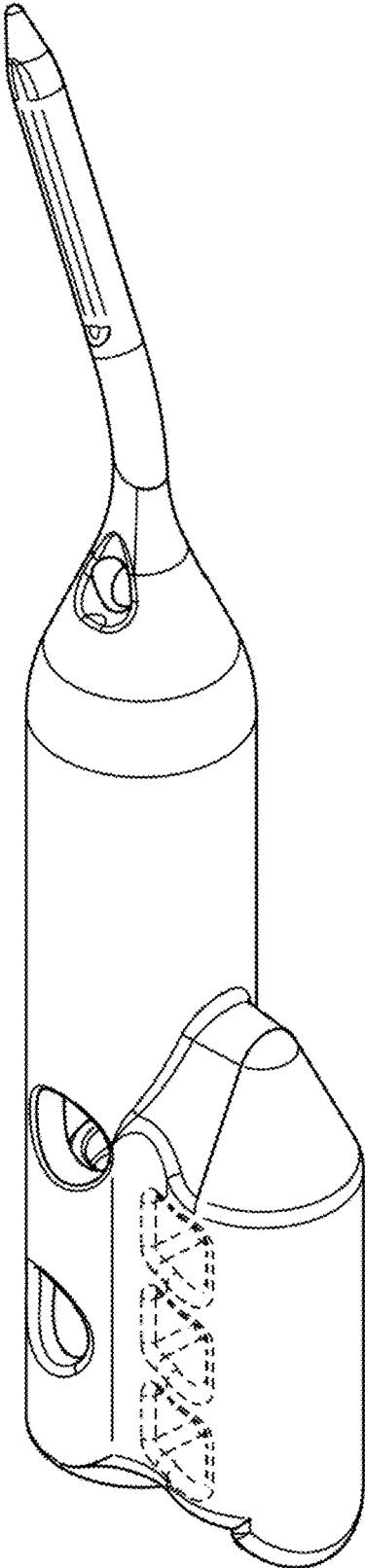
*Fig. 1*



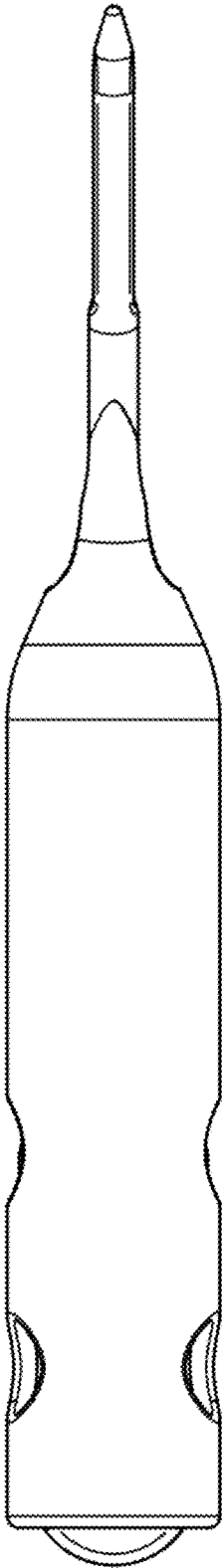
*Fig. 2*



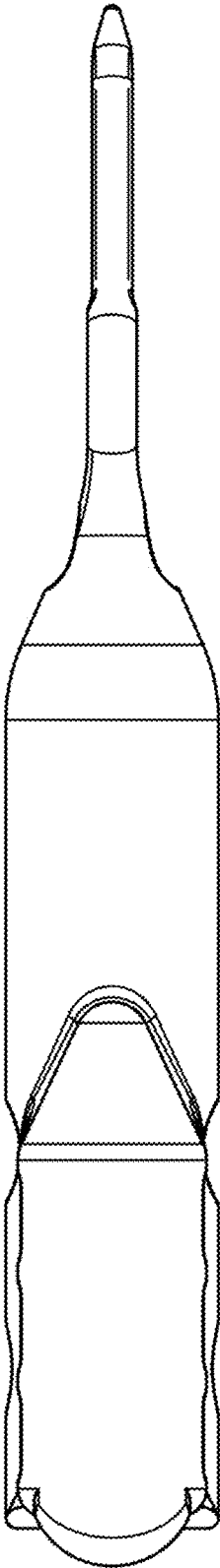
*Fig. 3*



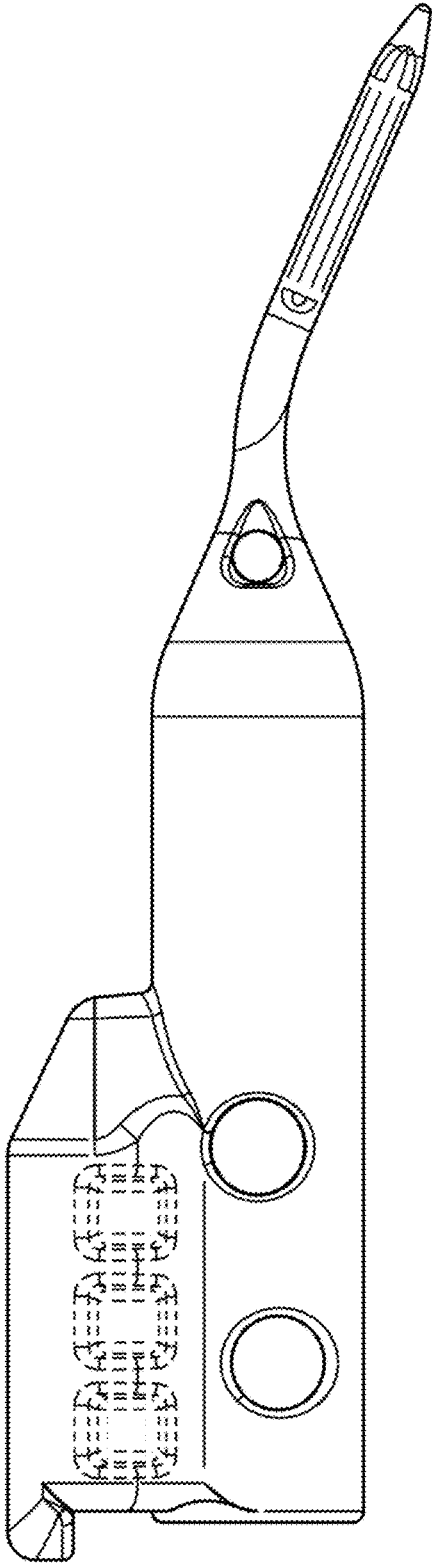
*Fig. 4*



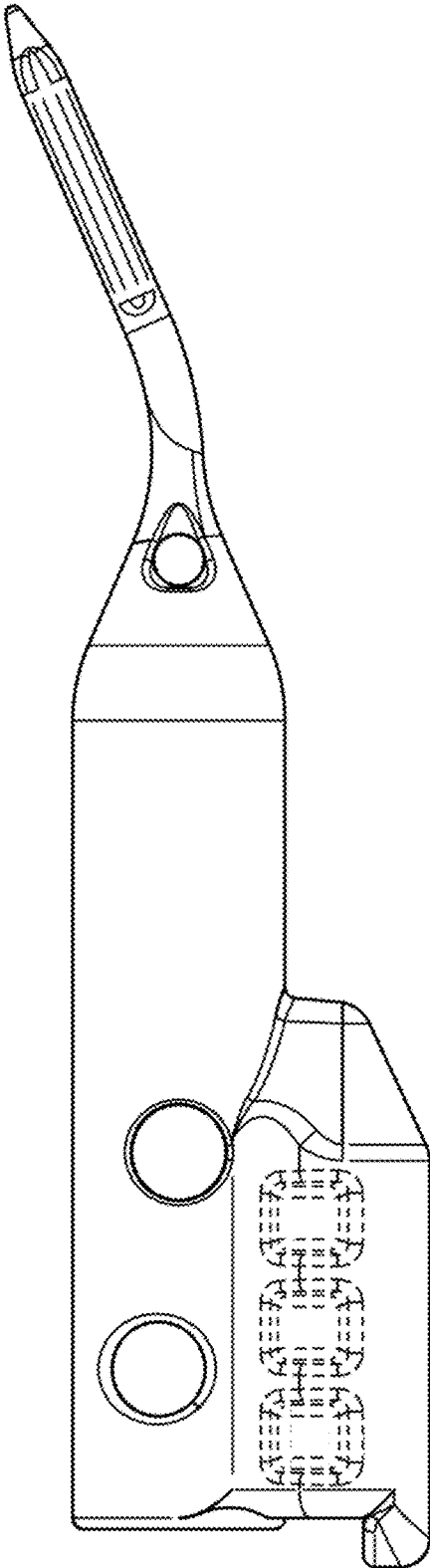
*Fig. 5*



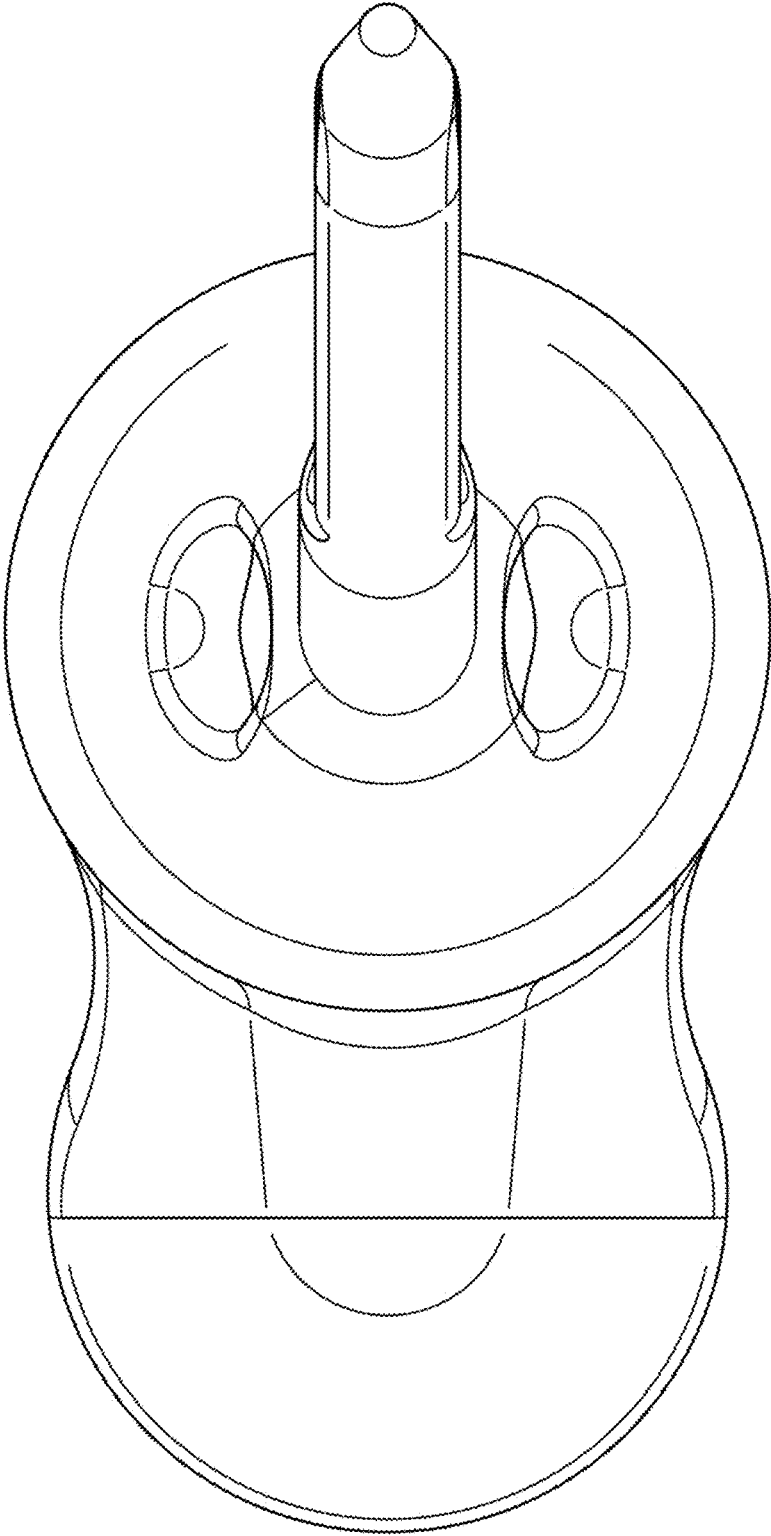
*Fig. 6*



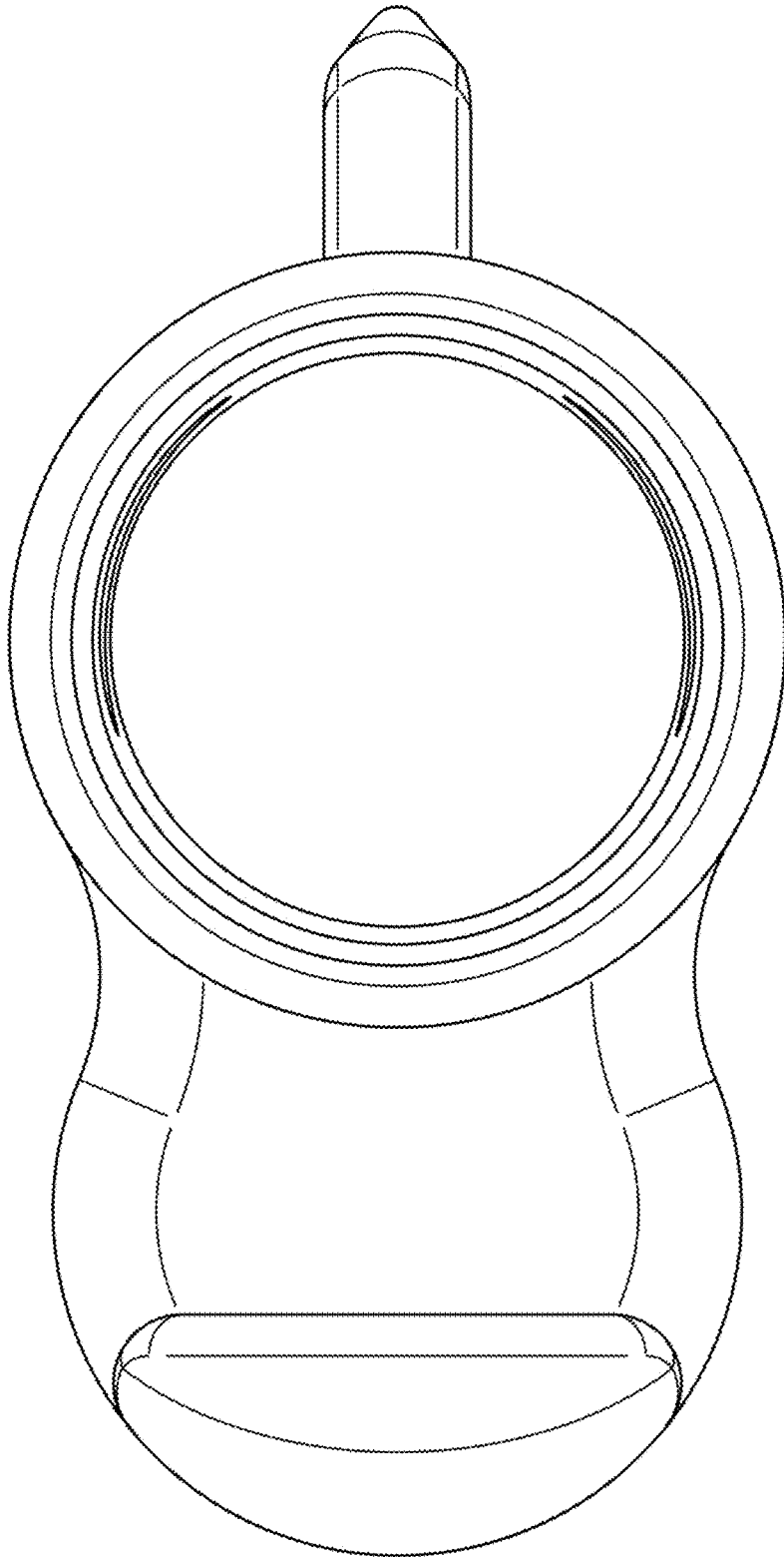
*Fig. 7*



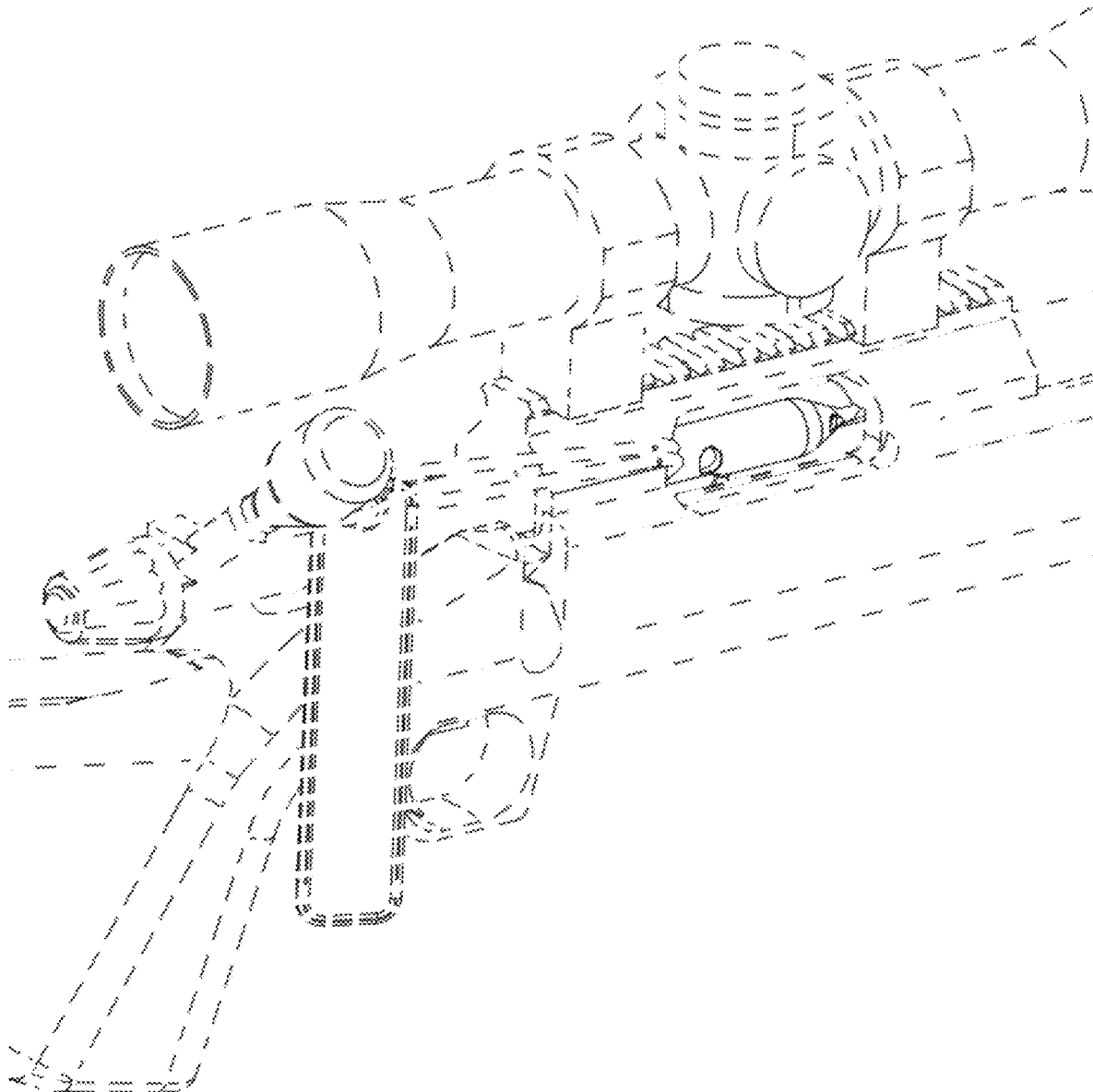
*Fig. 8*



***Fig. 9***



*Fig. 10*



*Fig. 11*