



US00D842514S

(12) **United States Design Patent**
Wu

(10) **Patent No.:** **US D842,514 S**

(45) **Date of Patent:** **** Mar. 5, 2019**

(54) **OUTDOOR CAMPING LAMP**
(71) Applicant: **WENZHOU SORBO TECHNOLOGY CO., LTD.,**
Wenzhou, Zhejiang (CN)
(72) Inventor: **Jianjun Wu,** Zhejiang (CN)
(73) Assignee: **WENZHOU SORBO TECHNOLOGY CO., LTD.,**
Wenzhou, Zhejiang (CN)

D532,134	S	*	11/2006	Lo	D26/40
D537,967	S	*	3/2007	Lo	D26/40
D605,321	S	*	12/2009	Schupp	D26/40
D605,798	S	*	12/2009	Kim	D26/49
D605,799	S	*	12/2009	Kim	D26/49
D608,036	S	*	1/2010	Lee	D26/40
D620,162	S	*	7/2010	Liu	D26/49
D643,956	S	*	8/2011	Bertken	D26/42
D646,412	S	*	10/2011	Taiga	D26/41
D652,162	S	*	1/2012	Wu	D26/47
D652,554	S	*	1/2012	Leung	D26/41
D652,972	S	*	1/2012	Lee	D26/41
D788,960	S	*	6/2017	Thompkin	D26/41

(**) Term: **15 Years**

* cited by examiner

(21) Appl. No.: **29/607,731**

Primary Examiner — Laikya G Rogers

(22) Filed: **Jun. 15, 2017**

Assistant Examiner — Carissa C Fitts

(30) **Foreign Application Priority Data**

(74) *Attorney, Agent, or Firm* — Christensen, Fonder, Dardi & Herbert PLLC

Dec. 29, 2016 (CN) 2016 3 0656538

(51) **LOC (11) Cl.** **26-02**

(52) **U.S. Cl.**
USPC **D26/41**

(58) **Field of Classification Search**
USPC D26/37–51
CPC F21L 2003/00; F21L 4/00; F21L 4/005;
F21L 4/02; F21L 4/025; F21L 4/027;
F21L 4/04; F21L 4/08; F21L 2005/00;
F21L 7/00; F21L 11/00; F21L 13/00;
F21L 13/04; F21L 13/08; F21L 14/02;
F21L 17/00; F21L 19/00; F21L 25/00
See application file for complete search history.

(56) **References Cited**

U.S. PATENT DOCUMENTS

D515,717	S	*	2/2006	Cormier	D26/37
D521,669	S	*	5/2006	Krieger	D26/40

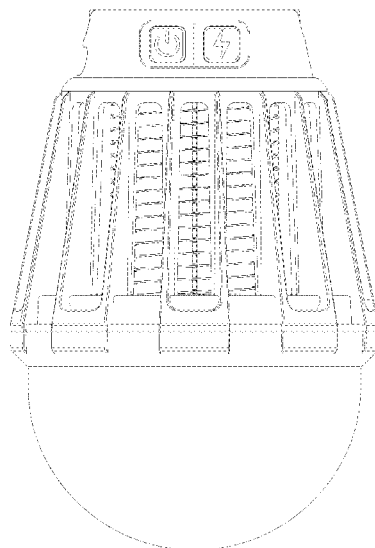
(57) **CLAIM**

I claim the ornamental design for outdoor camping lamp, as shown and described.

DESCRIPTION

FIG. 1 is a front view of the outdoor camping lamp. FIG. 2 is a rear view of the outdoor camping lamp. FIG. 3 is a left view of the outdoor camping lamp. FIG. 4 is a right view of the outdoor camping lamp. FIG. 5 is a top view of the outdoor camping lamp. FIG. 6 is a bottom view of the outdoor camping lamp; and, FIG. 7 is a front view of the outdoor camping lamp, with a hanging hook extending from a top portion of the lamp. The broken lines illustrated in the figures represent unclaimed portions of the lamp, and form no part of the claimed design.

1 Claim, 7 Drawing Sheets



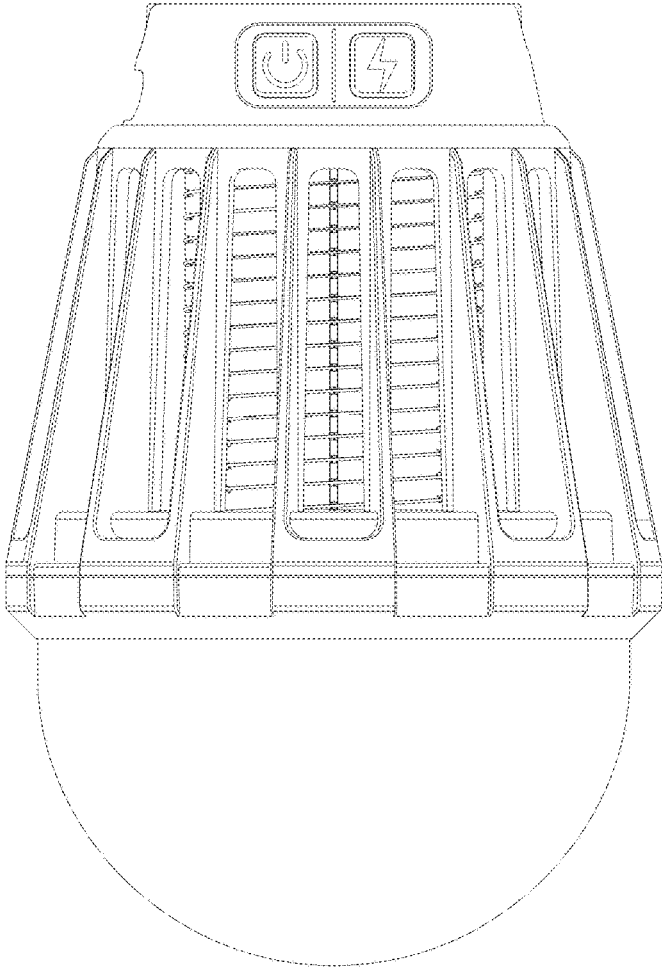


FIG 1

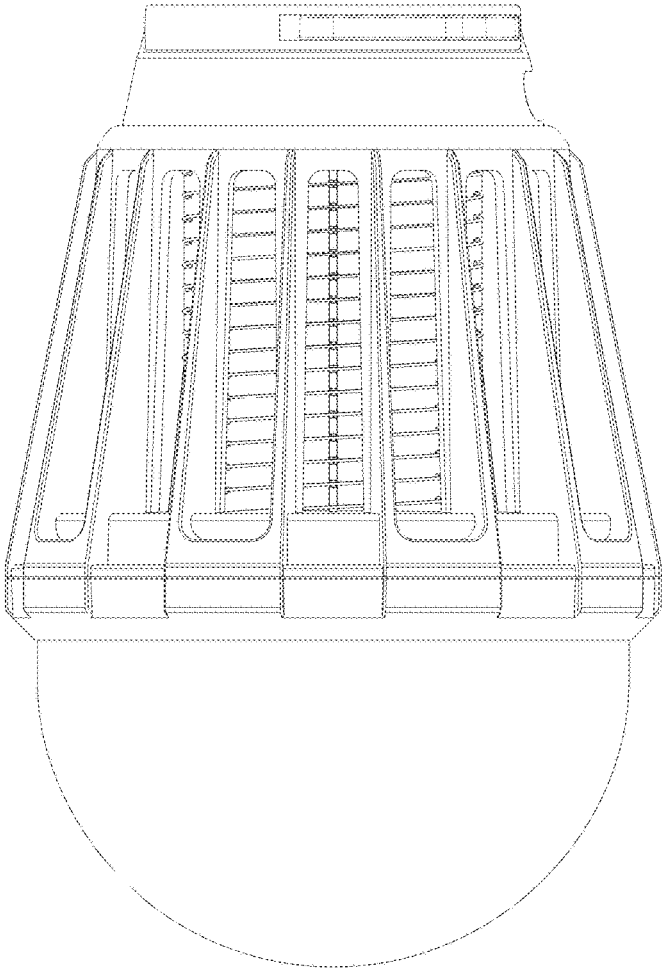


FIG. 2

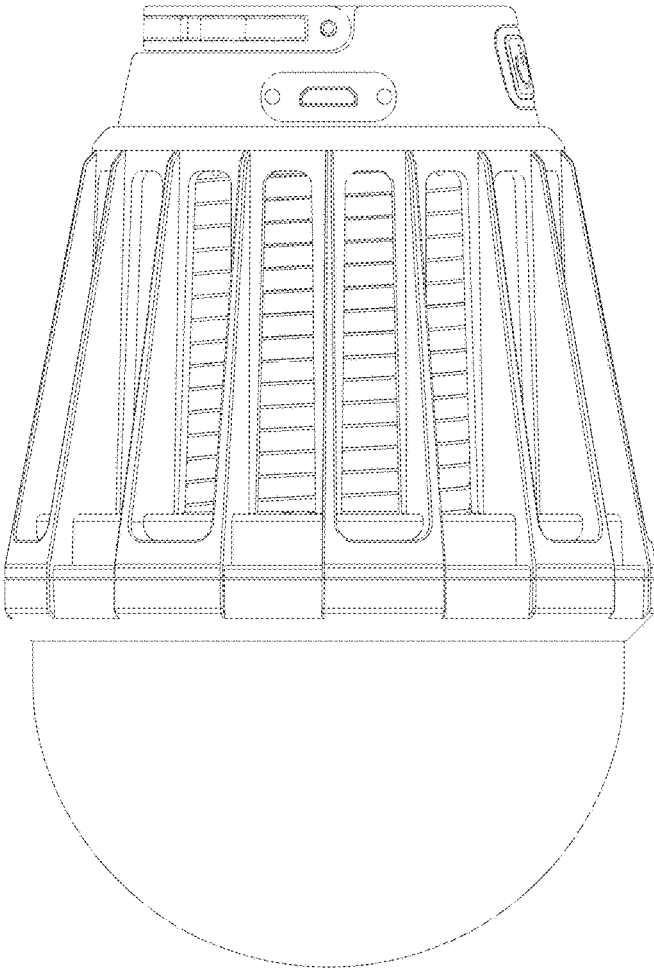


FIG. 3

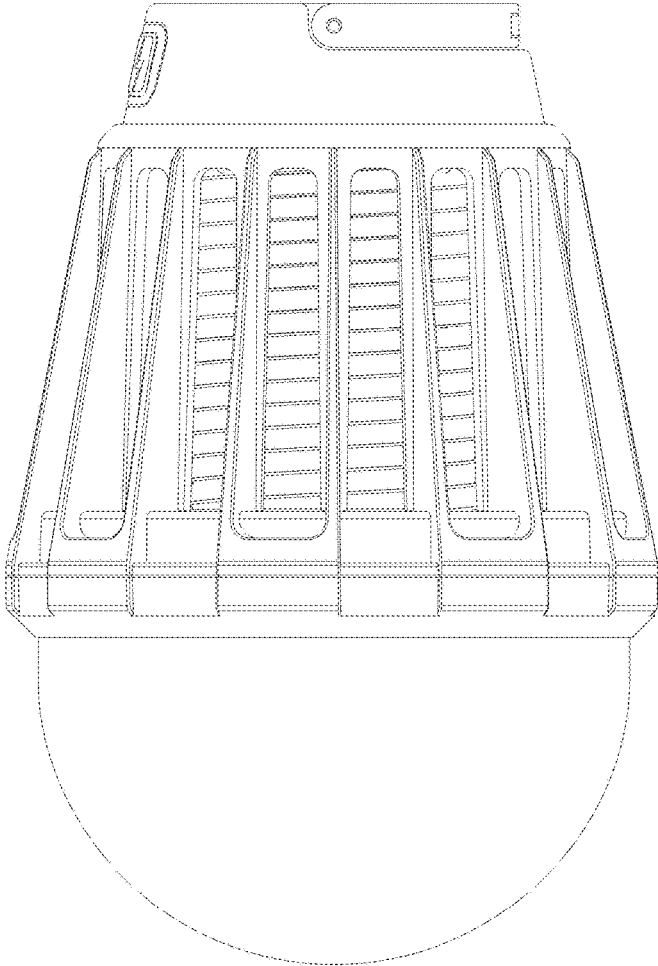


FIG. 4

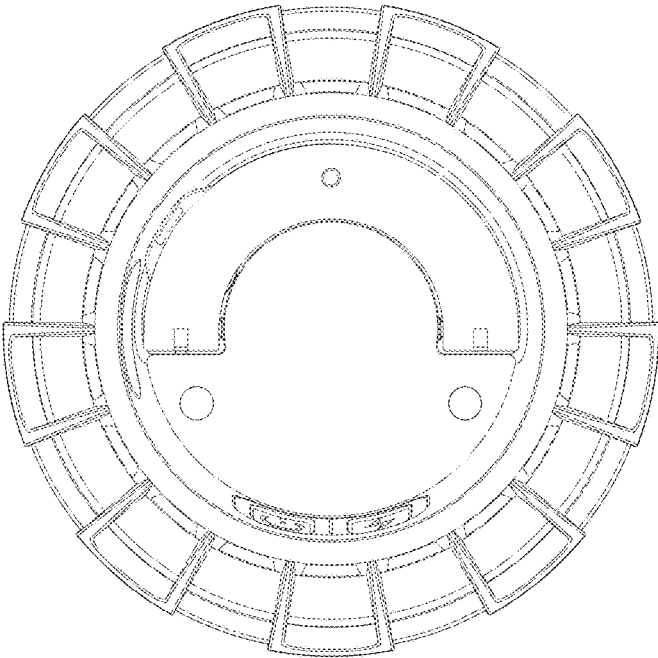


FIG. 5

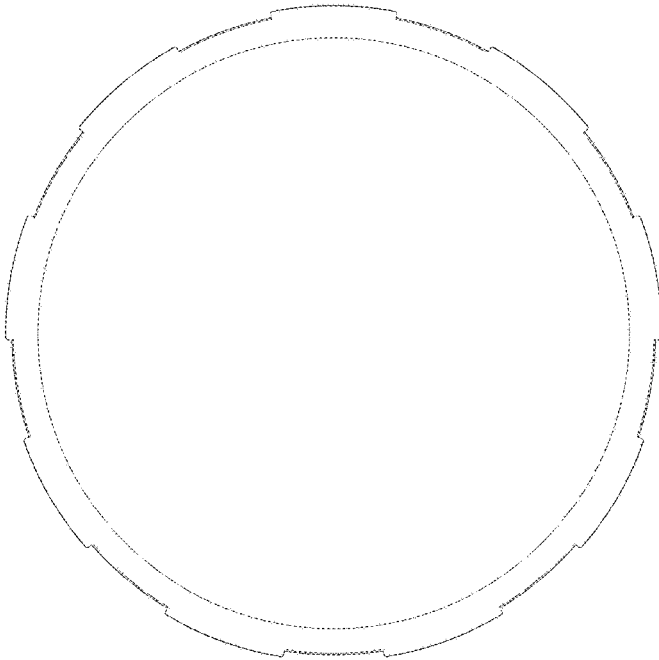


FIG. 6

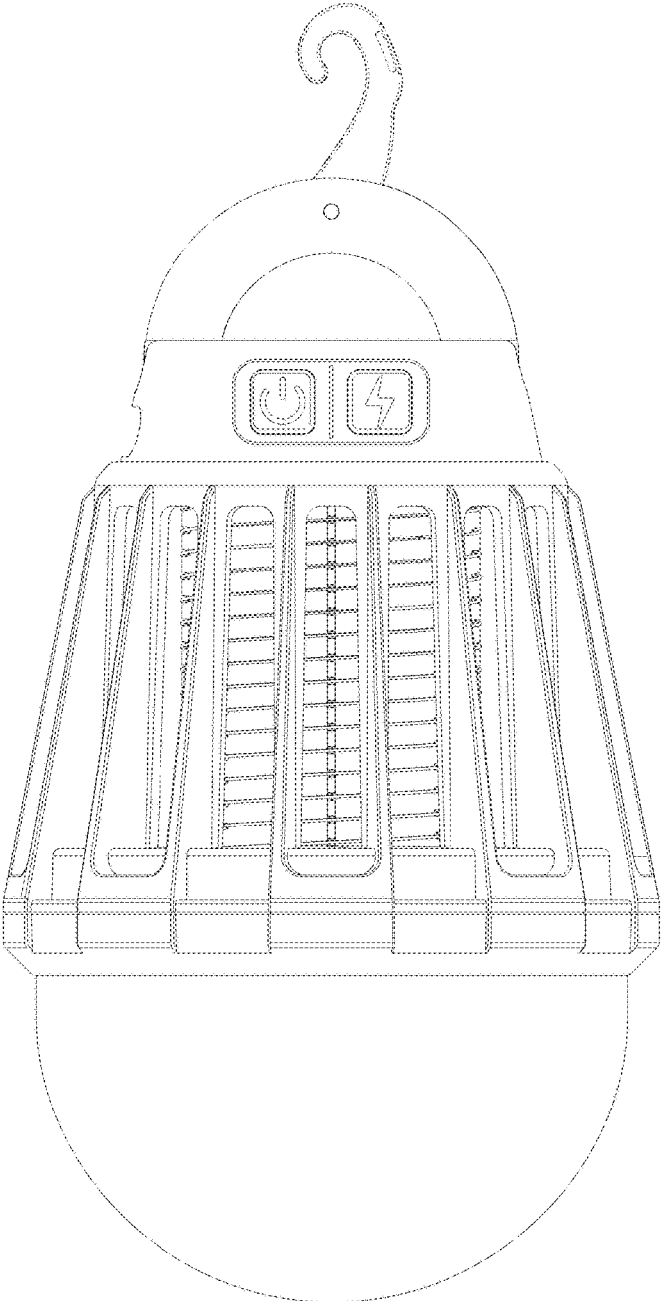


FIG. 7