



US00D724813S

(12) **United States Design Patent**
Umeda

(10) **Patent No.:** **US D724,813 S**

(45) **Date of Patent:** **** Mar. 17, 2015**

(54) **COIN INSERTING AND RECEIVING MACHINE**

(71) Applicant: **Asahi Seiko Co., Ltd.**, Tokyo (JP)

(72) Inventor: **Masayoshi Umeda**, Saitama (JP)

(73) Assignee: **Asahi Seiko Co., Ltd.**, Tokyo (JP)

(**) Term: **14 Years**

(21) Appl. No.: **29/480,215**

(22) Filed: **Jan. 24, 2014**

(30) **Foreign Application Priority Data**

Jul. 26, 2013 (JP) 2013-017086

(51) **LOC (10) Cl.** **20-01**

(52) **U.S. Cl.**
USPC **D99/34**

(58) **Field of Classification Search**

USPC D99/28, 34, 35, 36, 43, 99;
D14/300-303, 900-902; D18/3.1-3.3,
D18/4.1-4.6, 12.1-12.3; 206/0.8, 0.81,
206/0.815, 0.82, 0.83, 0.84; 101/66;
109/1 R, 1 V, 2, 23, 24.1, 25, 58, 58.5,
109/66; 446/8-13; 705/16, 17, 18, 42, 43,
705/44, 45

See application file for complete search history.

(56) **References Cited**

U.S. PATENT DOCUMENTS

4,398,088 A * 8/1983 Hirose et al. 235/379
4,500,002 A * 2/1985 Koshio et al. 209/534
D279,577 S * 7/1985 Kajita D18/3.3
4,694,963 A * 9/1987 Takesako 209/534
D295,109 S * 4/1988 Nishida D18/3.3
D445,124 S * 7/2001 Naito D18/3.3
D448,040 S * 9/2001 Forslund D18/3.1
D448,910 S * 10/2001 Kit et al. D99/28
D454,421 S * 3/2002 Jeon et al. D99/28
D523,468 S 6/2006 Umeda et al.

D540,391 S 4/2007 Irie
D574,417 S * 8/2008 Gaze et al. D18/3.3
D574,418 S * 8/2008 Gaze et al. D18/3.3
D574,419 S * 8/2008 Gaze et al. D18/3.3
D574,420 S * 8/2008 Gaze et al. D18/3.3
D574,421 S * 8/2008 Gaze et al. D18/3.3
D574,422 S * 8/2008 Gaze et al. D18/3.3
D579,481 S * 10/2008 Gaze et al. D18/3.3
D579,482 S * 10/2008 Gaze et al. D18/3.3
D612,035 S * 3/2010 Borgi D23/355
D615,179 S * 5/2010 Borgi D23/355
D618,875 S * 6/2010 Tougo et al. D99/28
D650,007 S * 12/2011 Inage et al. D18/3.3
D663,765 S * 7/2012 Bleck et al. D18/3.3
D669,525 S * 10/2012 Bleck et al. D18/3.3
D671,164 S * 11/2012 Bleck et al. D18/3.3

FOREIGN PATENT DOCUMENTS

JP 2003-5637 1/2004
JP 2004-35629 4/2005
JP 2005-13354 10/2005

* cited by examiner

Primary Examiner — Elizabeth J Oswecki

(74) *Attorney, Agent, or Firm* — McGlew and Tuttle, P.C.

(57) **CLAIM**

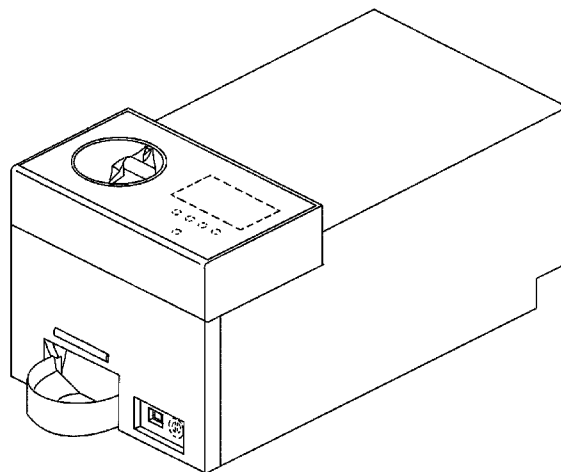
The ornamental design for a coin inserting and receiving machine, as shown and described.

DESCRIPTION

FIG. 1 is a front perspective view of a coin inserting and receiving machine showing my new design;
FIG. 2 is a front view thereof;
FIG. 3 is a rear view thereof;
FIG. 4 is a right side view thereof;
FIG. 5 is a left side view thereof;
FIG. 6 is a top view thereof; and,
FIG. 7 is a bottom view thereof.

The broken lines shown in the drawings represent portions of the coin inserting and receiving machine that form no part of the claimed design.

1 Claim, 7 Drawing Sheets



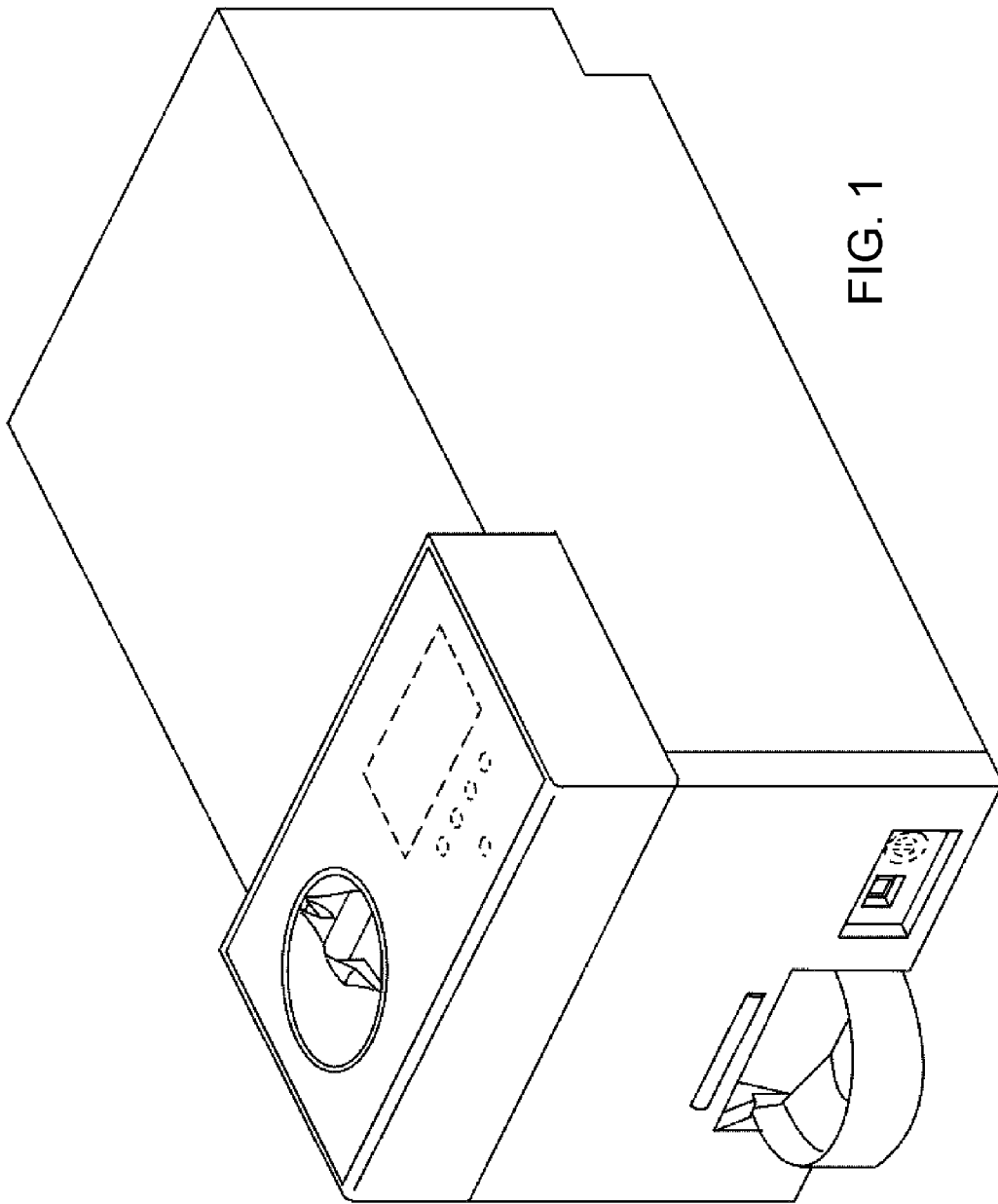


FIG. 1

FIG. 2

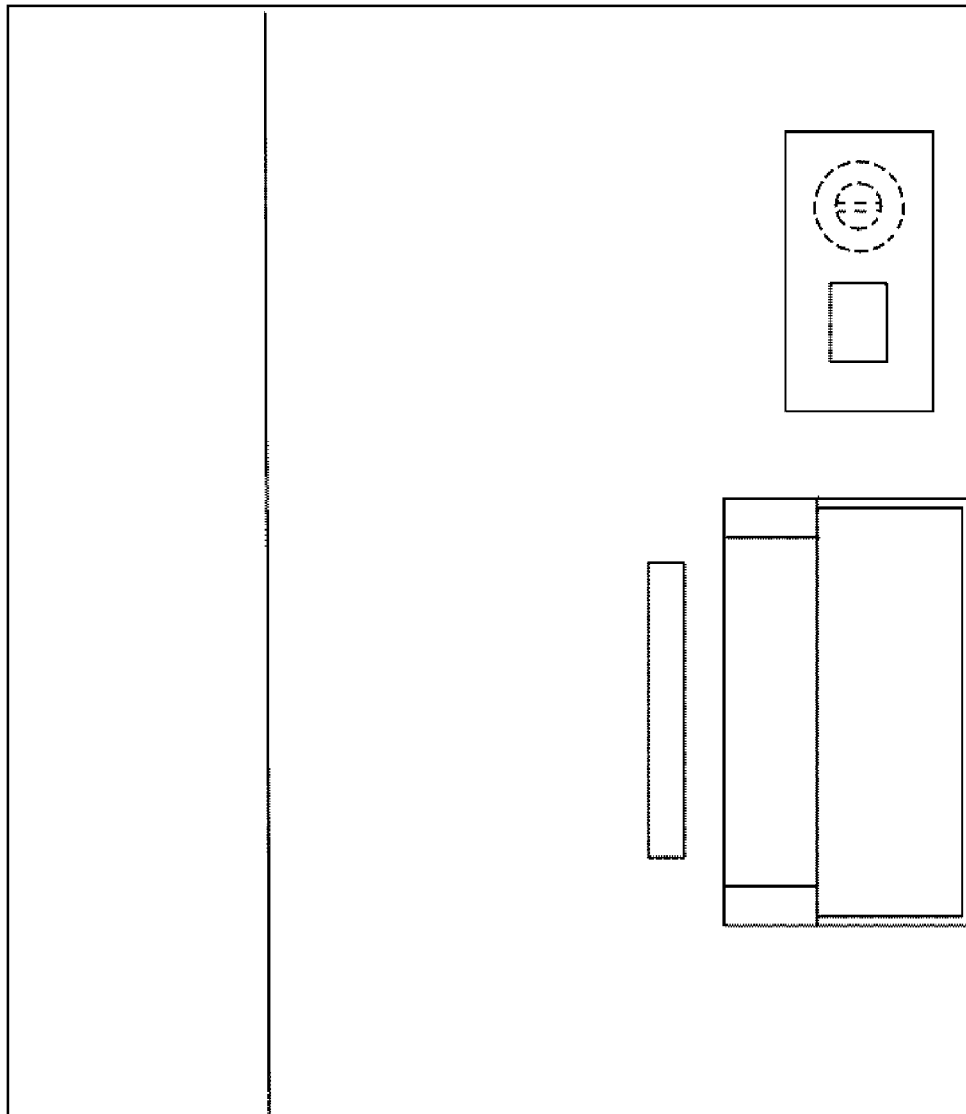
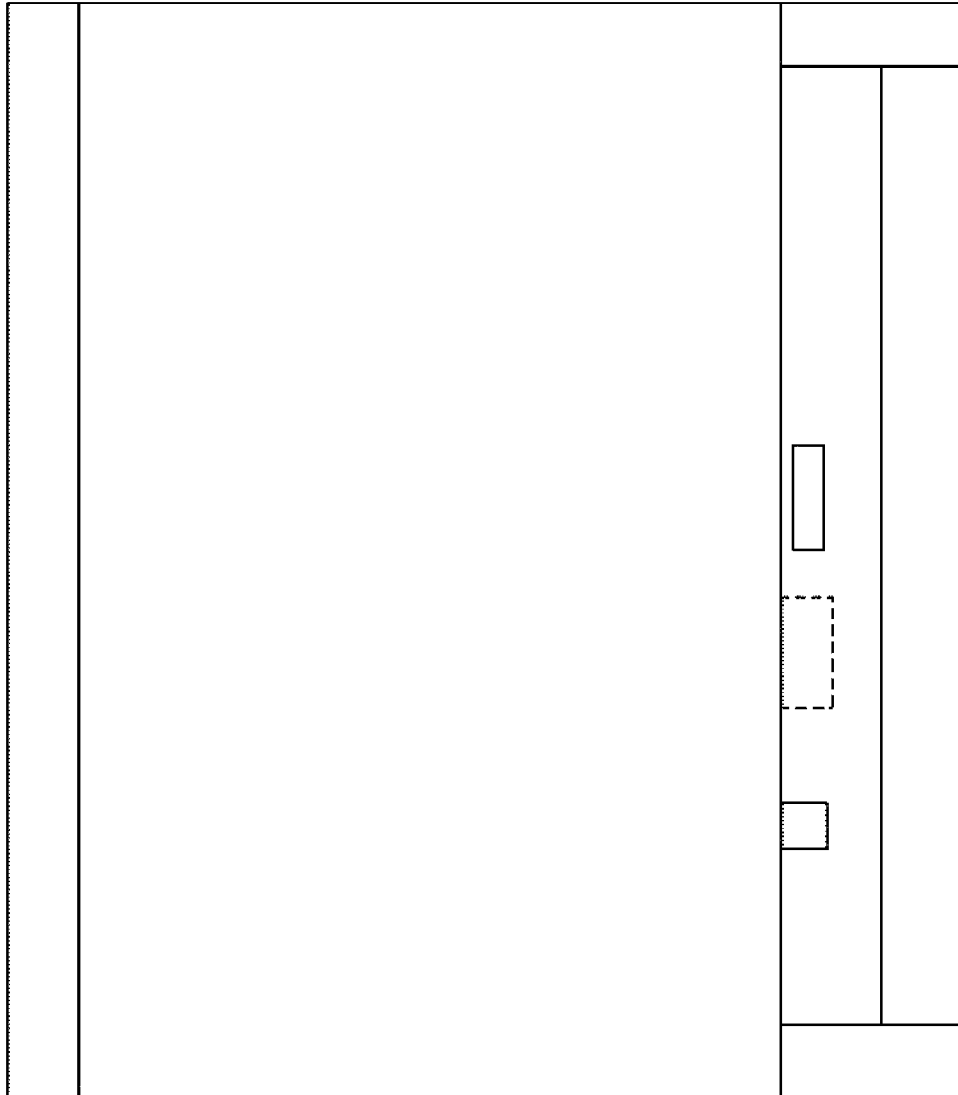


FIG. 3



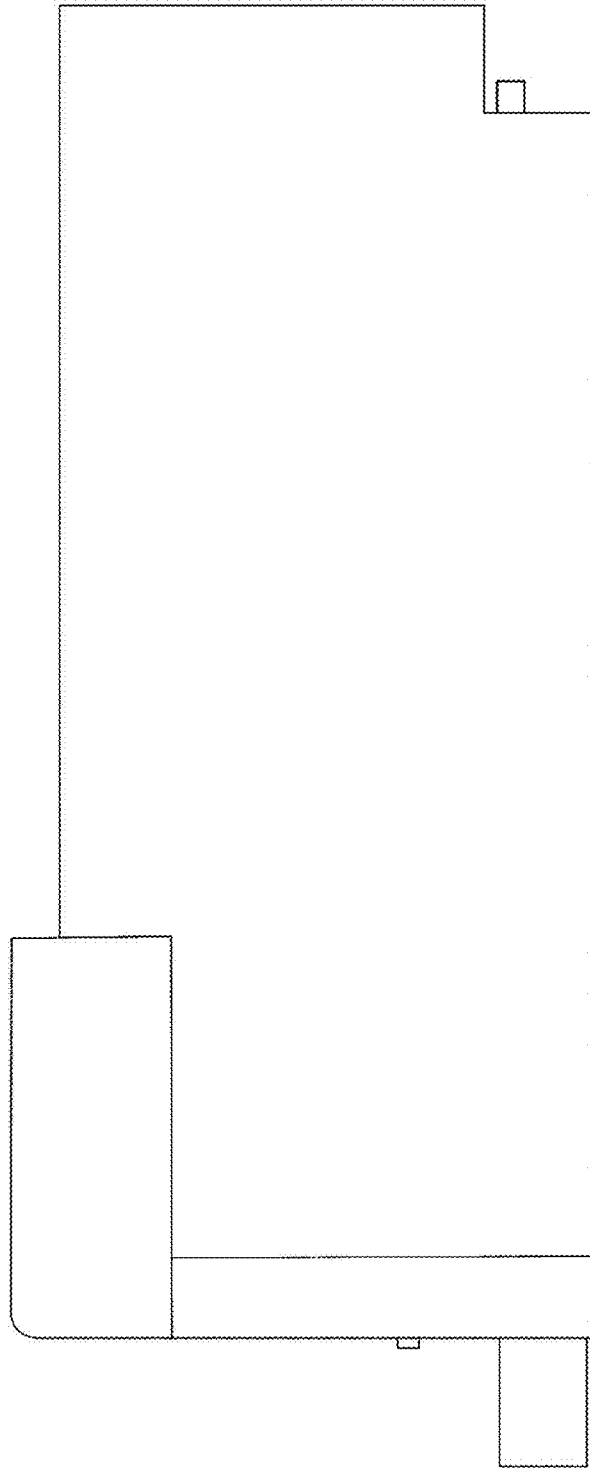


FIG. 4

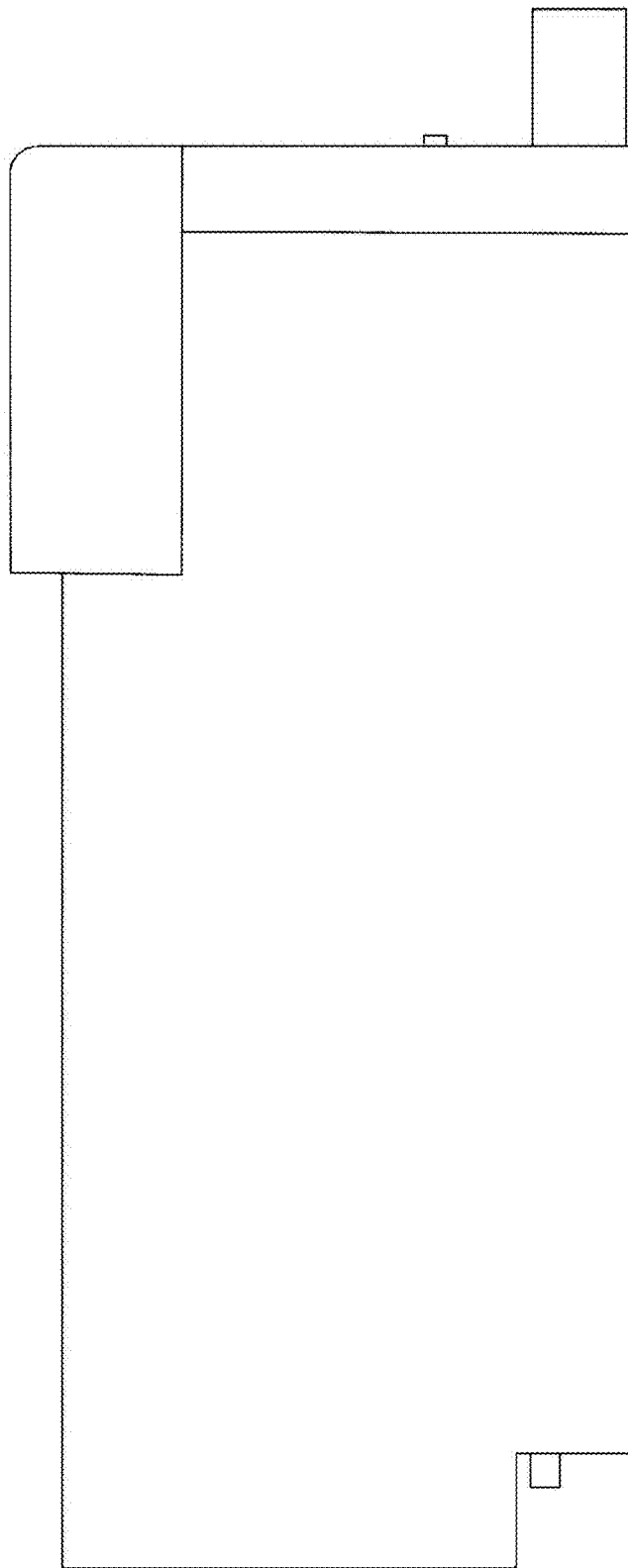


FIG. 5

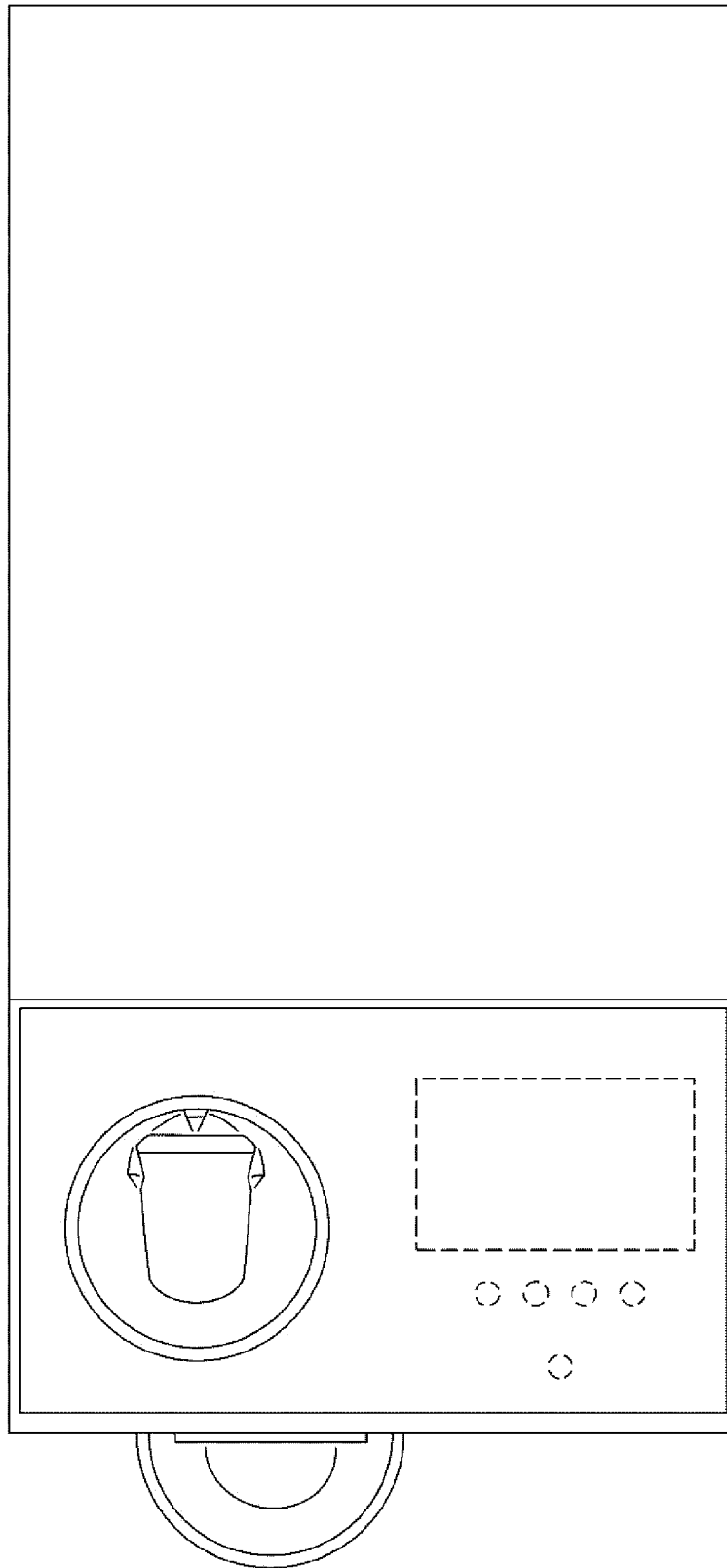


FIG. 6

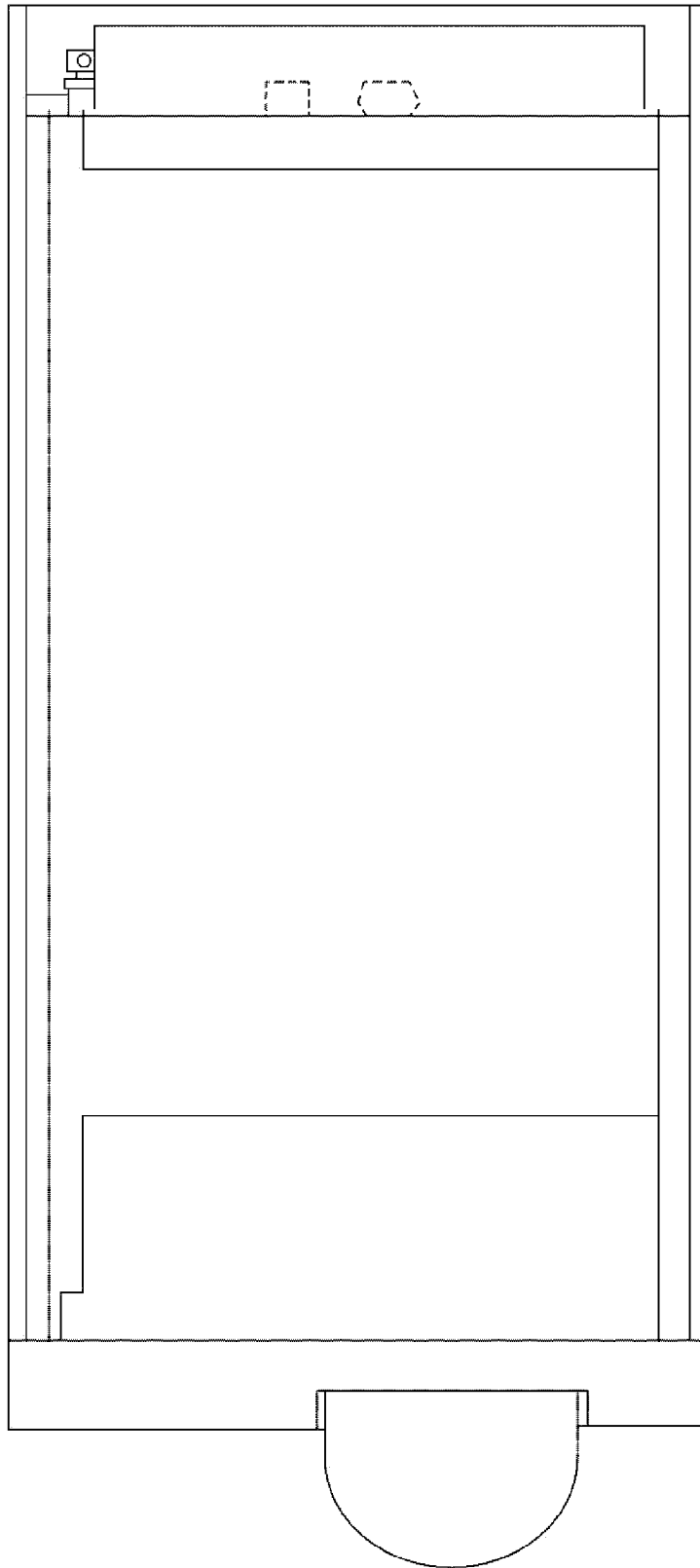


FIG. 7