



US00D616751S

(12) **United States Design Patent**
Ko et al.

(10) **Patent No.:** **US D616,751 S**
(45) **Date of Patent:** **** Jun. 1, 2010**

(54) **BOTTLE**

(75) Inventors: **Ada Ho Yau Ko**, Cincinnati, OH (US);
Michael Sean Farrell, Terrace Park, OH
(US); **Norio Fujikawa**, San Francisco,
CA (US)

(73) Assignee: **The Procter & Gamble Company**,
Cincinnati, OH (US)

(**) Term: **14 Years**

(21) Appl. No.: **29/350,100**

(22) Filed: **Nov. 11, 2009**

(51) **LOC (9) Cl.** **09-01**

(52) **U.S. Cl.** **D9/522; D9/523; D9/543;**
D9/575

(58) **Field of Classification Search** D9/516,
D9/522, 529, 530, 542-543, 544, 574-575;
215/382-384; D4/114, 116; D23/366
See application file for complete search history.

(56) **References Cited**

U.S. PATENT DOCUMENTS

D82,824	S	*	12/1930	Hobe	D9/544	X
D135,679	S	*	5/1943	McIntosh	D9/522	
2,656,842	A	*	10/1953	Ammarell	215/384	X
D205,551	S	*	8/1966	Swayze	D9/574	
D253,579	S	*	12/1979	Sinclair	D9/529	
D285,652	S	*	9/1986	Brown	D9/693	
D362,808	S	*	10/1995	Scott et al.	D9/560	
D397,040	S	*	8/1998	Bakic	D9/574	
D478,512	S	*	8/2003	Duston et al.	D9/522	
D479,804	S	*	9/2003	Wolpert et al.	D9/516	X
D480,309	S	*	10/2003	Choke-arpornchai et al.	D9/522	
6,659,301	B2	*	12/2003	Fellows et al.	215/382	X
D503,621	S	*	4/2005	Heater	D9/575	X

D505,080	S	*	5/2005	Cagle	D9/575	X
D505,330	S	*	5/2005	Wolpert	D23/366	X
D518,730	S	*	4/2006	Caserta et al.	D23/366	X
D536,979	S	*	2/2007	Caserta et al.	D9/522	
D536,980	S	*	2/2007	Smith et al.	D9/522	
D537,354	S	*	2/2007	Caserta et al.	D9/543	
D590,270	S	*	4/2009	Friedman et al.	D9/522	X
7,540,432	B2	*	6/2009	Majerowski et al.	239/51.5	

* cited by examiner

Primary Examiner—Carol Rademaker

(74) *Attorney, Agent, or Firm*—Amy I. Ahn-Roll

(57) **CLAIM**

The ornamental design for a bottle, as shown and described.

DESCRIPTION

FIG. 1 is a top, front, and right side perspective view of a bottle according to the present invention;

FIG. 2 is a front view of the bottle according to the present invention;

FIG. 3 is a rear view of the bottle according to the present invention;

FIG. 4 is a left side view of the bottle according to the present invention;

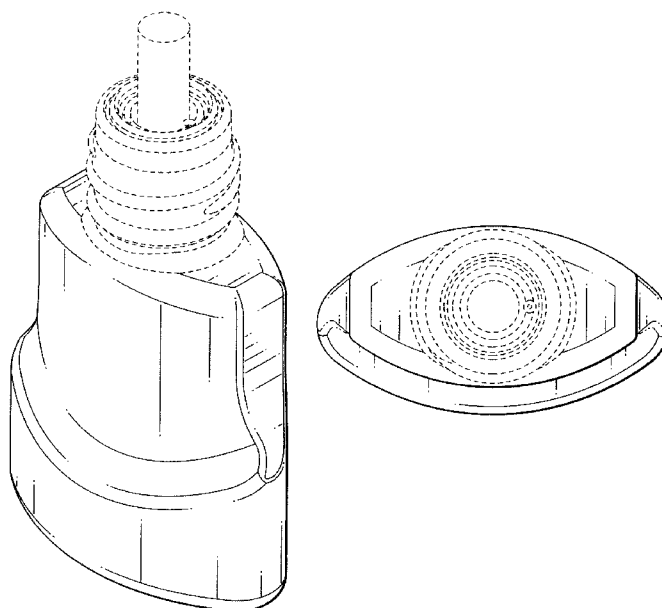
FIG. 5 is a right side view of the bottle according to the present invention;

FIG. 6 is a top view of the bottle according to the present invention; and,

FIG. 7 is a bottom view of the bottle according to the present invention.

The broken lines shown in the drawing views are included for the purpose of showing environmental structure that forms no part of the claimed design.

1 Claim, 5 Drawing Sheets



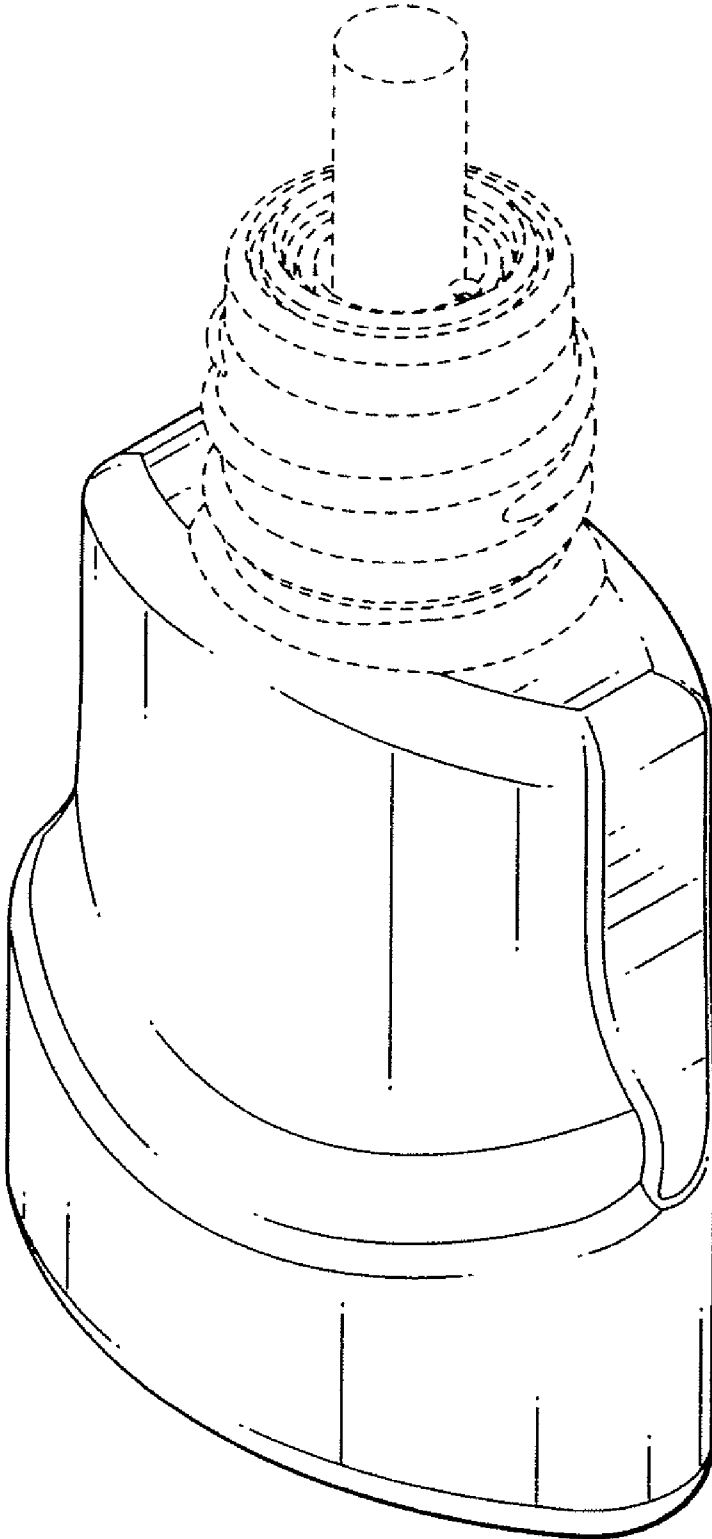


FIG. 1

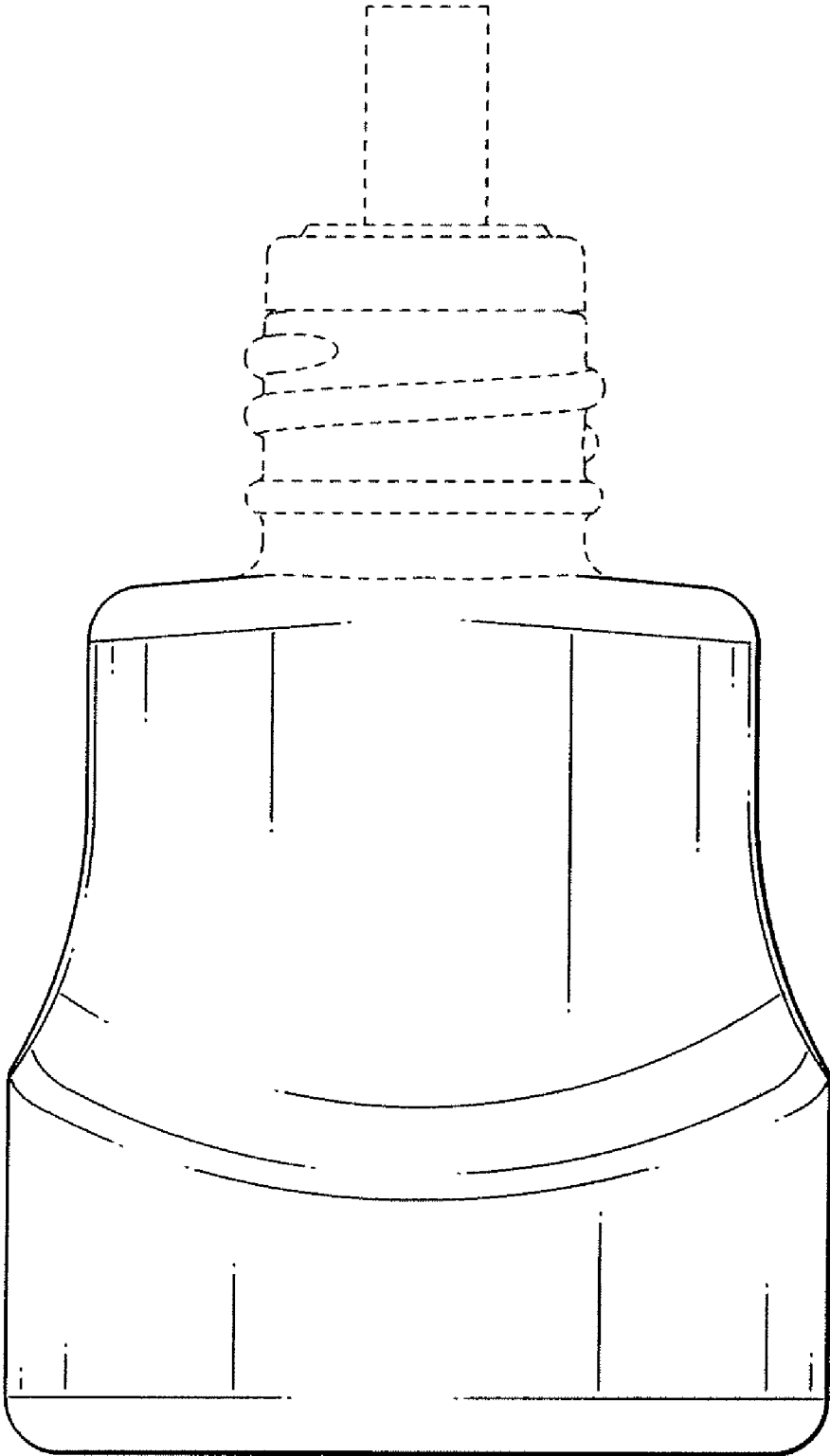


FIG. 2

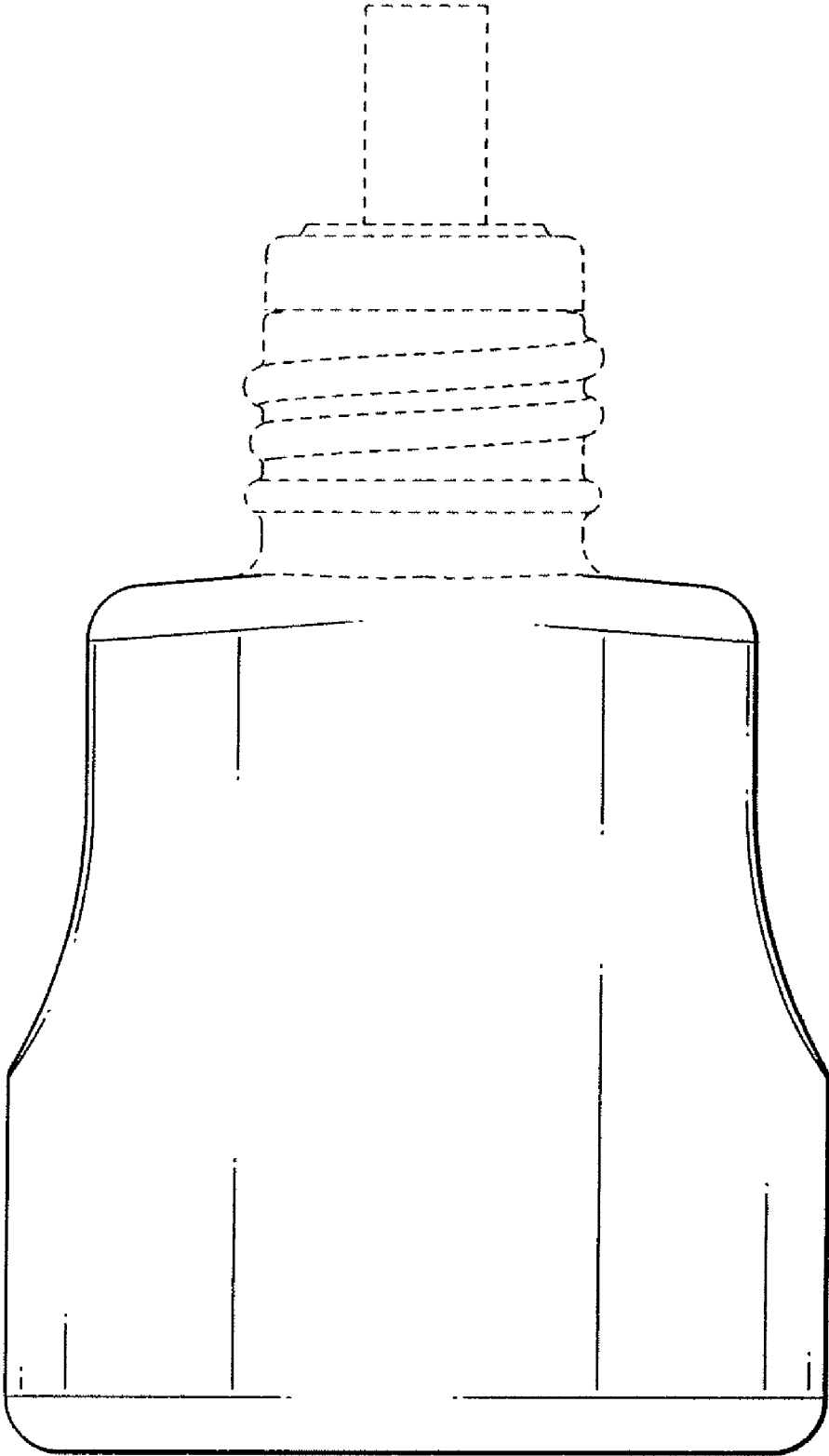


FIG. 3

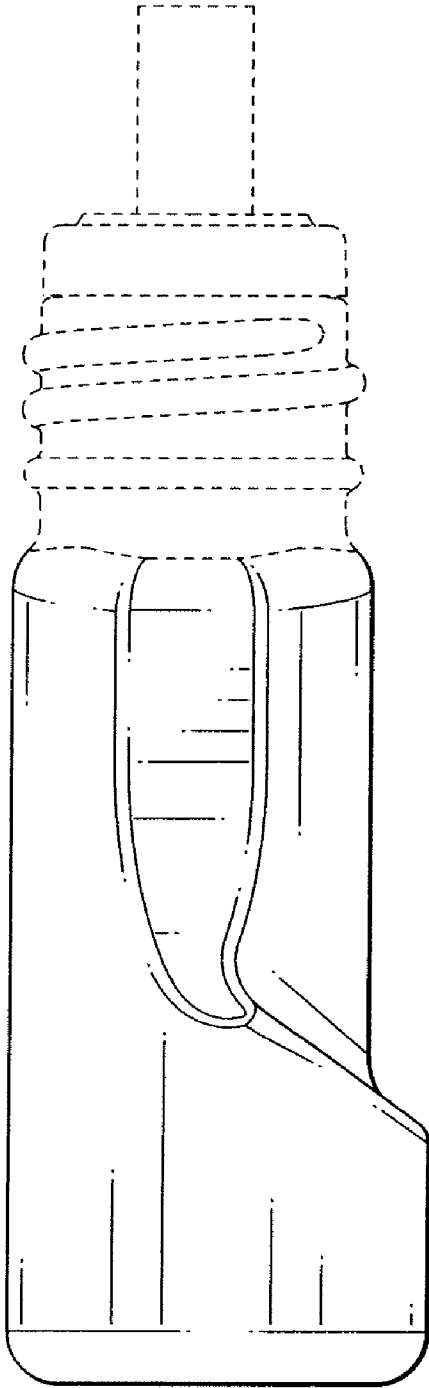


FIG. 4

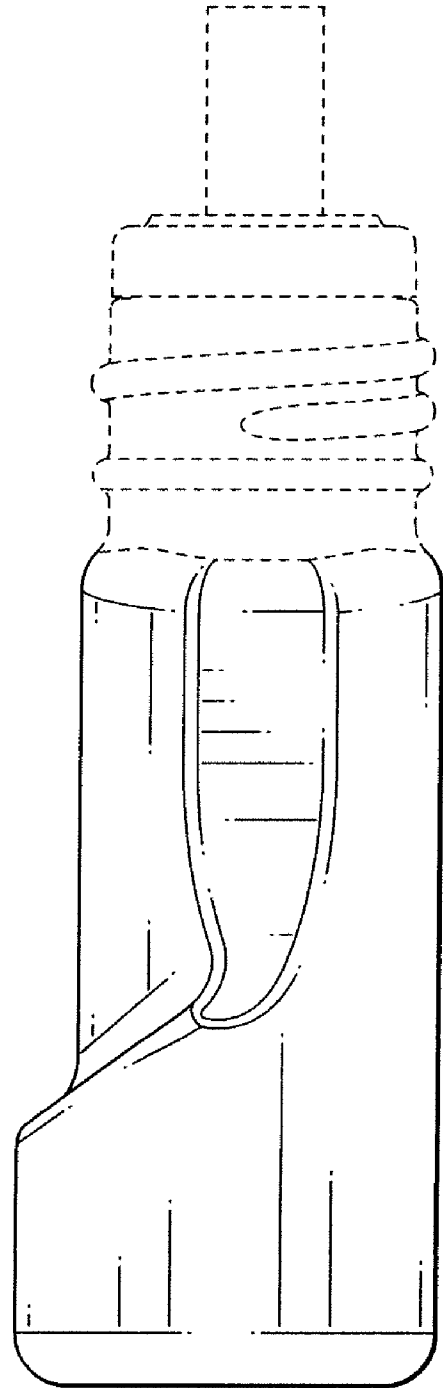


FIG. 5

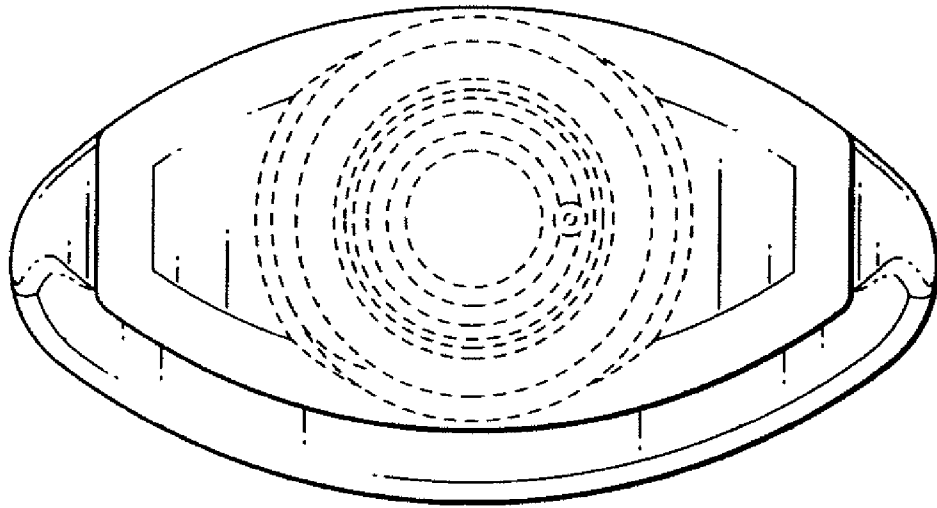


FIG. 6

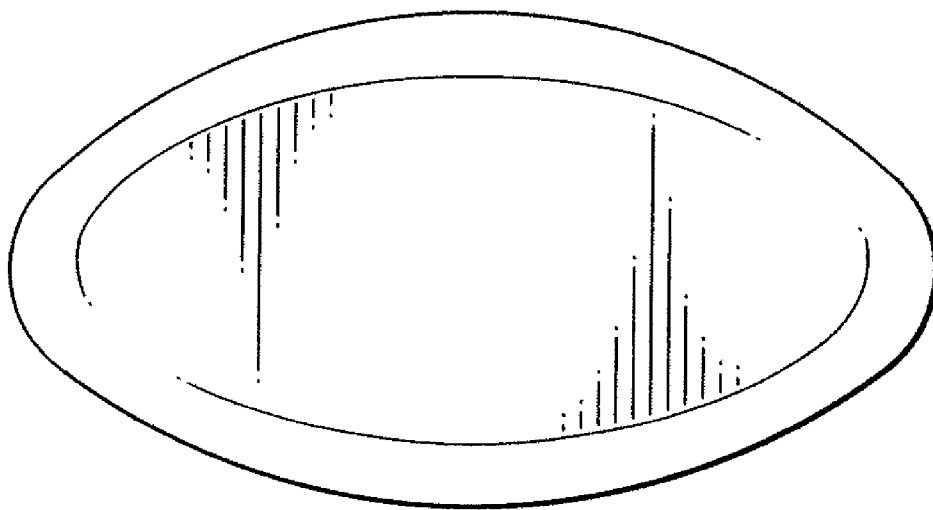


FIG. 7