

(19) World Intellectual Property Organization
International Bureau



(43) International Publication Date
2 October 2008 (02.10.2008)

PCT

(10) International Publication Number
WO 2008/118725 A3

(51) International Patent Classification:
E21B 10/26 (2006.01)

(21) International Application Number:
PCT/US2008/057591

(22) International Filing Date: 20 March 2008 (20.03.2008)

(25) Filing Language: English

(26) Publication Language: English

(30) Priority Data:
11/728,461 26 March 2007 (26.03.2007) US

(71) Applicant: BAKER HUGHES INCORPORATED
[US/US]; Suite 2100, 2929 Allen Parkway, Houston, TX
77019-2118 (US).

(72) Inventors: FUHST, Karsten; Heinrich-Heine-Ring 8,
30629 Hanover (DE). KRUEGER, Sven; Eichenring 127,
29308 Niedersachsen, Winsen (DE).

(74) Agents: CARSON, Matt, W. et al.; Baker Hughes Incor-
porated, P.O. Box 4740, Houston, TX 77027-4740 (US).

(81) Designated States (unless otherwise indicated, for every
kind of national protection available): AE, AG, AL, AM,

AO, AT, AU, AZ, BA, BB, BG, BH, BR, BW, BY, BZ, CA,
CH, CN, CO, CR, CU, CZ, DE, DK, DM, DO, DZ, EC, EE,
EG, ES, FI, GB, GD, GE, GH, GM, GT, HN, HR, HU, ID,
IL, IN, IS, JP, KE, KG, KM, KN, KP, KR, KZ, LA, LC,
LK, LR, LS, LT, LU, LY, MA, MD, ME, MG, MK, MN,
MW, MX, MY, MZ, NA, NG, NI, NO, NZ, OM, PG, PH,
PL, PT, RO, RS, RU, SC, SD, SE, SG, SK, SL, SM, SV,
SY, TJ, TM, TN, TR, TT, TZ, UA, UG, UZ, VC, VN, ZA,
ZM, ZW.

(84) Designated States (unless otherwise indicated, for every
kind of regional protection available): ARIPO (BW, GH,
GM, KE, LS, MW, MZ, NA, SD, SL, SZ, TZ, UG, ZM,
ZW), Eurasian (AM, AZ, BY, KG, KZ, MD, RU, TJ, TM),
European (AT, BE, BG, CH, CY, CZ, DE, DK, EE, ES, FI,
FR, GB, GR, HR, HU, IE, IS, IT, LT, LU, LV, MC, MT, NL,
NO, PL, PT, RO, SE, SI, SK, TR), OAPI (BF, BJ, CF, CG,
CI, CM, GA, GN, GQ, GW, ML, MR, NE, SN, TD, TG).

Declaration under Rule 4.17:
— as to the applicant's entitlement to claim the priority of the
earlier application (Rule 4.17(iii))

Published:
— with international search report

(88) Date of publication of the international search report:
27 November 2008

(54) Title: OPTIMIZED MACHINING PROCESS FOR CUTTING TUBULARS DOWNHOLE

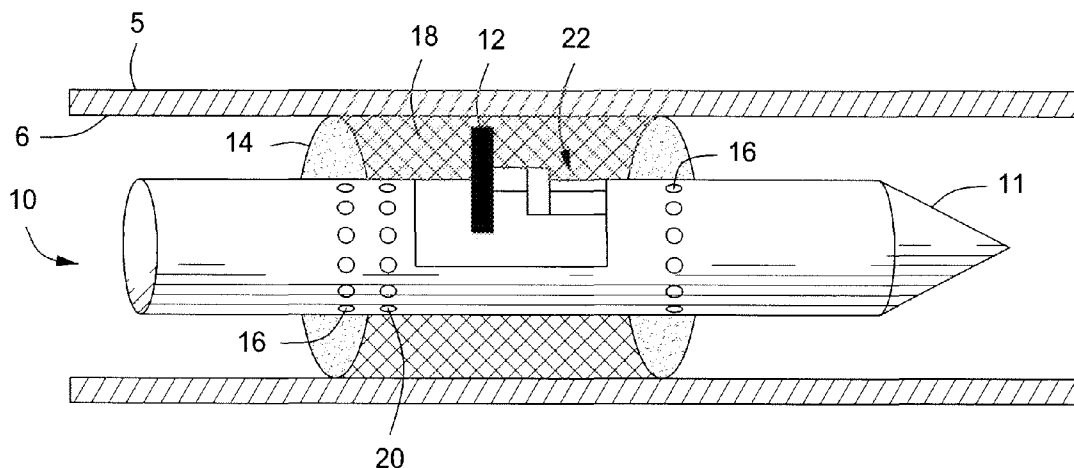


FIG. 1

(57) Abstract: The tubular cutter disclosed herein is useful for severing downhole tubulars and comprises a drive system, a pivoting system, a cutting head, and a cutting member. Cutting is accomplished by rotatingly actuating the cutting head with an associated motor, and then radially extending the cutting blade away from the cutting head. In one embodiment, the cutting head includes a cutting member that pivotally extends from the cutting head upon rotation of the cutting head.

WO 2008/118725 A3

INTERNATIONAL SEARCH REPORT

International application No.
PCT/US2008/057591

A. CLASSIFICATION OF SUBJECT MATTER
 IPC(8) - E21B 10/26 (2008.04)
 USPC - 175/296
 According to International Patent Classification (IPC) or to both national classification and IPC

B. FIELDS SEARCHED
 Minimum documentation searched (classification system followed by classification symbols)
 IPC(8) - E21B 10/26 (2008.04)
 USPC - 175/296

Documentation searched other than minimum documentation to the extent that such documents are included in the fields searched

Electronic data base consulted during the international search (name of data base and, where practicable, search terms used)
 MicroPatent, DialogPro, Google Patents

C. DOCUMENTS CONSIDERED TO BE RELEVANT

Category*	Citation of document, with indication, where appropriate, of the relevant passages	Relevant to claim No.
X	US 2007/0017708 A1 (RADFORD et al) 25 January 2007 (25.01.2007) entire document	1, 4-10, 21-22, 25-27
---		-----
Y		2-3, 11-20, 23-24, 28-32
Y	US 6,056,072 A (KOLTERMANN et al) 02 May 2000 (02.05.2000) entire document	2-3, 31-32
Y	US 5,678,466 A (WAHL) 21 October 1997 (21.10.1997) entire document	11-20, 23-24, 28-32

Further documents are listed in the continuation of Box C.

* Special categories of cited documents:

"A" document defining the general state of the art which is not considered to be of particular relevance	"T" later document published after the international filing date or priority date and not in conflict with the application but cited to understand the principle or theory underlying the invention
"E" earlier application or patent but published on or after the international filing date	"X" document of particular relevance; the claimed invention cannot be considered novel or cannot be considered to involve an inventive step when the document is taken alone
"L" document which may throw doubts on priority claim(s) or which is cited to establish the publication date of another citation or other special reason (as specified)	"Y" document of particular relevance; the claimed invention cannot be considered to involve an inventive step when the document is combined with one or more other such documents, such combination being obvious to a person skilled in the art
"O" document referring to an oral disclosure, use, exhibition or other means	"&" document member of the same patent family
"P" document published prior to the international filing date but later than the priority date claimed	

Date of the actual completion of the international search 13 August 2008	Date of mailing of the international search report AUGUST 20, 2008
Name and mailing address of the ISA/US Mail Stop PCT, Attn: ISA/US, Commissioner for Patents P.O. Box 1450, Alexandria, Virginia 22313-1450 Facsimile No. 571-273-3201	Authorized officer: Blaine R. Copenheaver PCT Helpdesk: 571-272-4300 PCT OSP: 571-272-7774