



US00D972789S

(12) **United States Design Patent**  
**Yi**

(10) **Patent No.:** **US D972,789 S**

(45) **Date of Patent:** **\*\* Dec. 13, 2022**

(54) **PET GLASSES**

D776,179 S 1/2017 Pfanner et al.  
D785,699 S \* 5/2017 Chen ..... D16/312  
D837,873 S \* 1/2019 Lussier ..... D16/330

(Continued)

(71) Applicant: **Shenzhen Leshuo Technology Co., Ltd.**, Guangdong (CN)

(72) Inventor: **Zhou Yi**, Guangdong (CN)

(73) Assignee: **Shenzhen Leshuo Technology Co., Ltd.**, Guangdong (CN)

(\*\*) Term: **15 Years**

(21) Appl. No.: **29/842,880**

(22) Filed: **Jun. 16, 2022**

(51) **LOC (13) Cl.** ..... **30-01**

(52) **U.S. Cl.**  
USPC ..... **D30/144**; D16/312

(58) **Field of Classification Search**  
USPC ..... D2/870, 872, 878; D16/312; D29/102, D29/103, 104; D30/144, 145  
CPC .. A63B 71/08; A42B 3/04; A42B 3/18; A42B 3/20; A42B 3/185; A42B 3/226; A42B 3/0406  
See application file for complete search history.

(56) **References Cited**

**U.S. PATENT DOCUMENTS**

3,663,959 A \* 5/1972 Loubeyre ..... A61F 9/025  
2/436  
D515,615 S \* 2/2006 Fecteau ..... D16/312  
D537,100 S \* 2/2007 Moritz ..... D16/312  
D556,811 S \* 12/2007 Bruck ..... D16/312  
D595,332 S \* 6/2009 Yang ..... D16/312  
D602,065 S \* 10/2009 Takeshi ..... D16/312  
D626,582 S \* 11/2010 Cheng ..... D16/326  
D640,724 S \* 6/2011 Goodman ..... D16/312  
D649,178 S \* 11/2011 Moritz ..... D16/312  
D657,812 S \* 4/2012 Li ..... D16/312  
D663,763 S \* 7/2012 Inui ..... D16/312  
D680,576 S \* 4/2013 Chen ..... D16/312

**FOREIGN PATENT DOCUMENTS**

CN 304970176 S 12/2018  
CN 306987342 \* 12/2021

(Continued)

**OTHER PUBLICATIONS**

Birdz Eyewear Vulture Over The Glasses (OTG) Goggle, available in Amazon.com, date first available Sep. 12, 2011 [online], [site visited Sep. 19, 2022], Available from the internet URL: <https://www.amazon.com/Birdz-Vulture-Goggles-Prescription-Eyewear/dp/B07WSSB4XT> (Year: 2011).\*

(Continued)

*Primary Examiner* — Jennifer L Rempfer  
*Assistant Examiner* — Elizabeth Anne Glassberg  
(74) *Attorney, Agent, or Firm* — ScienBiziP, P.C.

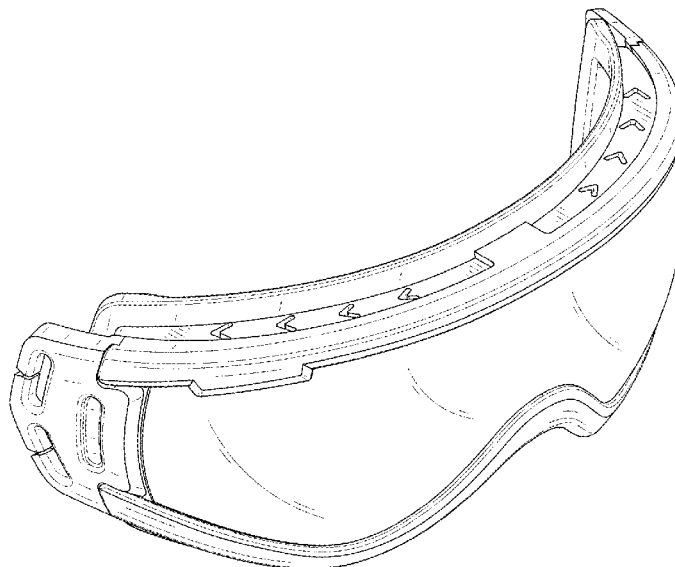
(57) **CLAIM**

The ornamental design for a pet glasses, as shown and described.

**DESCRIPTION**

FIG. 1 is a front, left, top perspective view of a pet glasses, showing my design.  
FIG. 2 is a rear, right and bottom perspective view thereof.  
FIG. 3 is a front elevation view thereof.  
FIG. 4 is a rear elevation view thereof.  
FIG. 5 is a left side elevation view thereof.  
FIG. 6 is a right side elevation view thereof.  
FIG. 7 is a top plan view thereof; and,  
FIG. 8 is a bottom plan view thereof.  
The broken lines in the drawings depict portions of the pet glasses that form no part of the claimed design.

**1 Claim, 8 Drawing Sheets**



(56)

**References Cited**

U.S. PATENT DOCUMENTS

D847,248	S	*	4/2019	Liang	.....	D16/313
D858,622	S	*	9/2019	Xin	.....	D16/312
D869,102	S		12/2019	Yi		
D869,547	S	*	12/2019	Xin	.....	D16/312
D872,168	S	*	1/2020	Zhang	.....	D16/312
D880,573	S	*	4/2020	Liang	.....	D16/313
D906,406	S	*	12/2020	Lee	.....	D16/312
D909,457	S	*	2/2021	Liang	.....	D16/312
D909,459	S	*	2/2021	Liang	.....	D16/314
D930,064	S	*	9/2021	Deyue	.....	D16/312
D949,955	S	*	4/2022	Sun	.....	D16/312
2011/0197346	A1	*	8/2011	Burchett	.....	A61F 9/027 2/431
2011/0225711	A1	*	9/2011	Reyes	.....	A61F 9/025 2/431

FOREIGN PATENT DOCUMENTS

CN			307170845	S		3/2022
EM			008641666-0001		*	8/2021

OTHER PUBLICATIONS

NVTED Dog Sunglasses Dog Goggles, available in Amazon.com, date first available Oct. 15, 2019 [online], [site visited Sep. 19, 2022], Available from the internet URL: <https://www.amazon.com/NVTED-Sunglasses-Protection-Windproof-Adjustable/dp/B07Z4S66SN?th=1> (Year: 2019).\*

OutdoorMaster Ski Goggles with Cover, available in Amazon.com, date first available Sep. 1, 2020 [online], [site visited Sep. 19, 2022], Available from the internet URL: <https://www.amazon.com/OutdoorMaster-Goggles-Cover-Snowboard-Anti-Fog/dp/B08H4SD3HH?th=1> (Year: 2020).\*

Reef Tourer Adult Single-Window Mask & Snorkel Combo Set, available in Amazon.com, date first available Oct. 20, 2016 [online], [site visited Sep. 19, 2022], Available from the internet URL: <https://www.amazon.com/ReefTourer-Adult-Single-Window-Snorkel-Combo/dp/B01M65CB3J?th=1> (Year: 2016).\*

\* cited by examiner

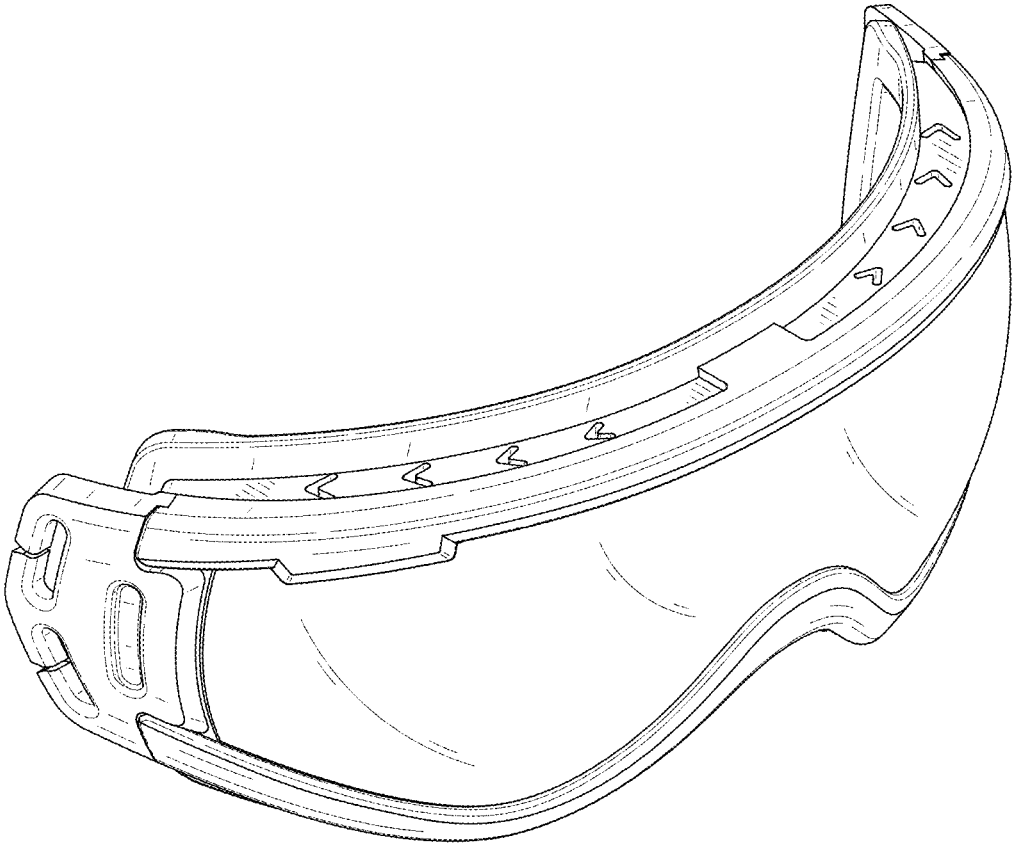


FIG. 1

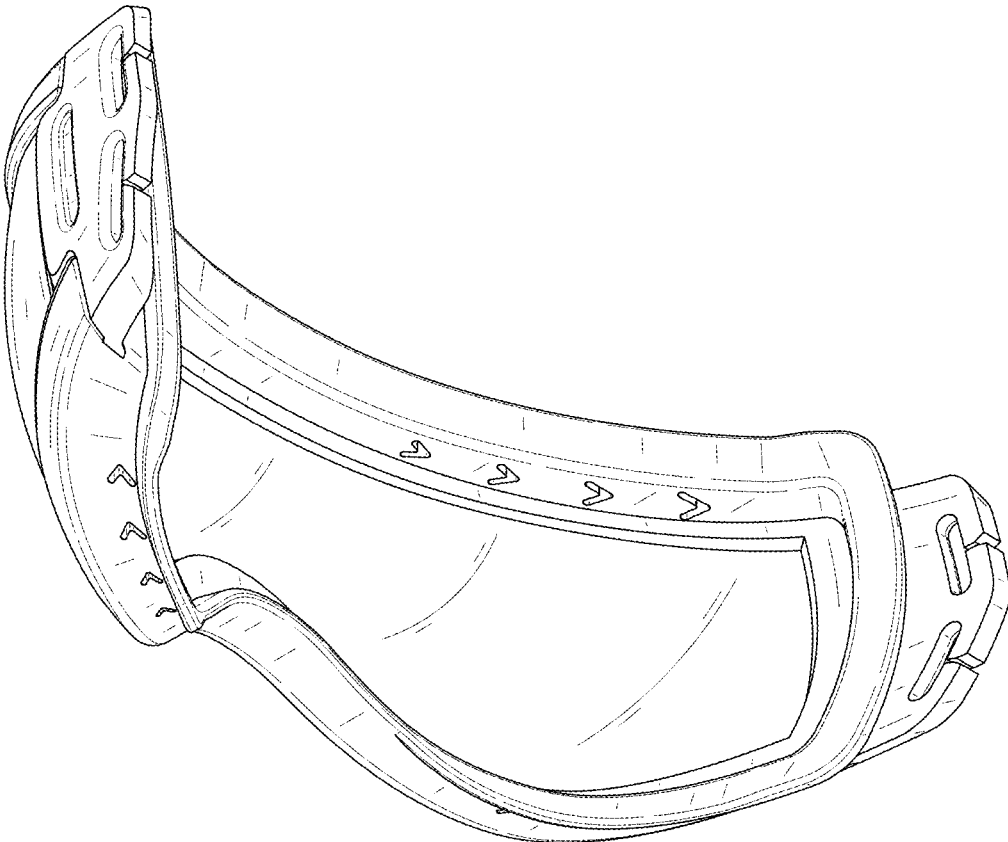


FIG. 2

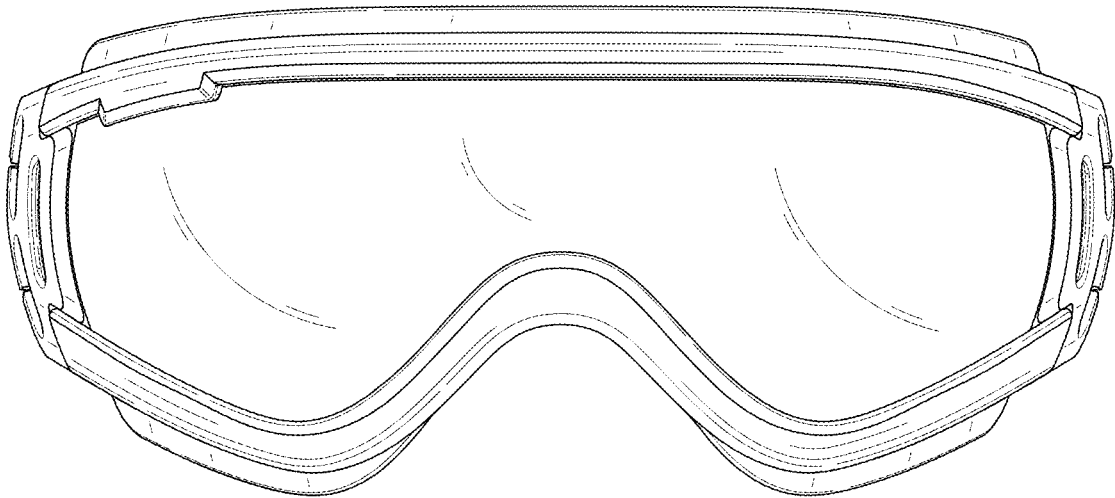


FIG. 3

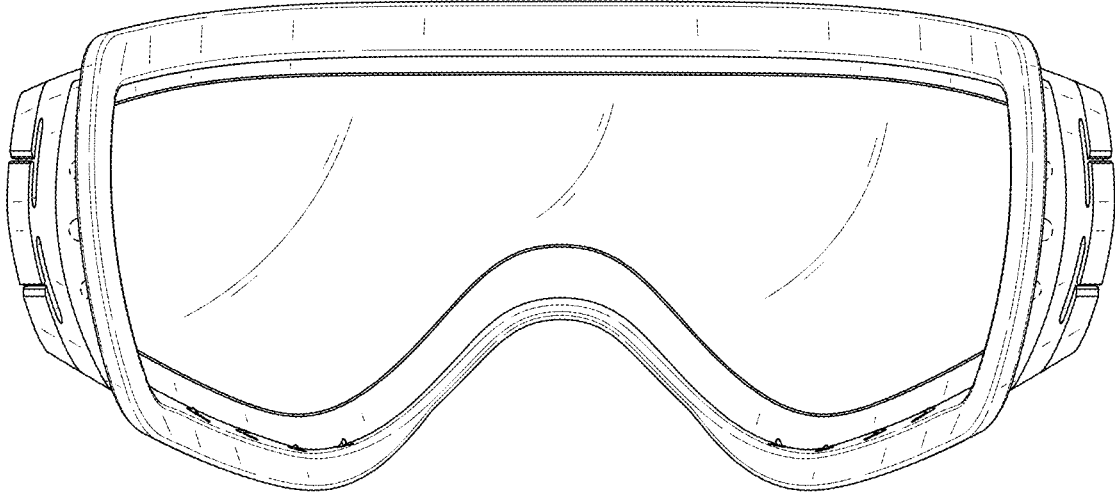


FIG. 4

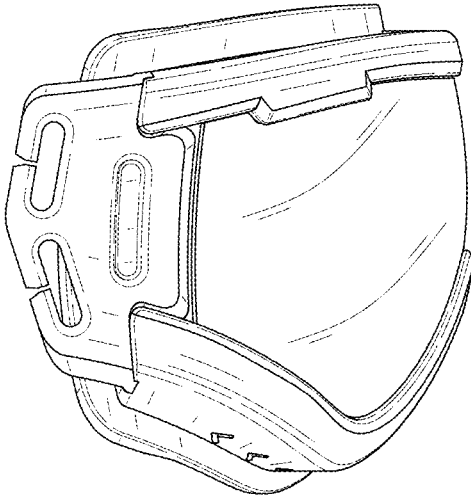


FIG. 5

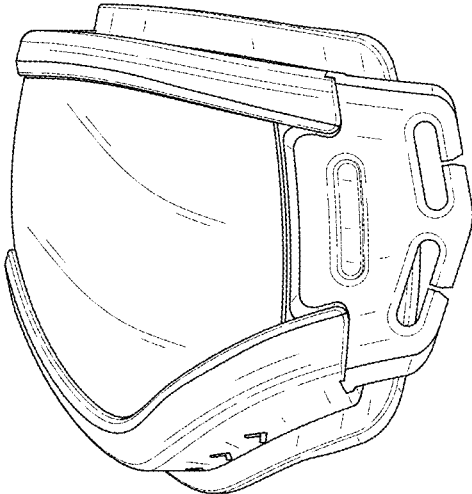


FIG. 6

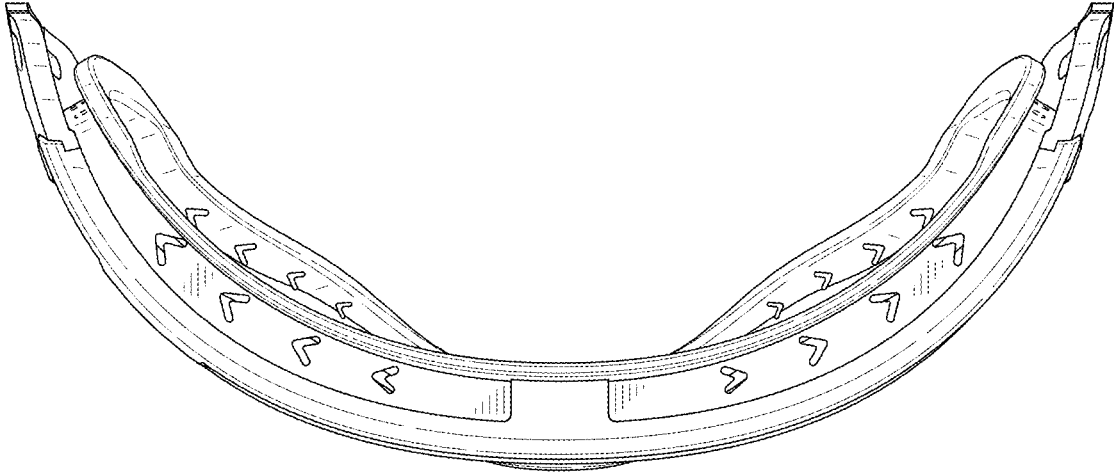


FIG. 7

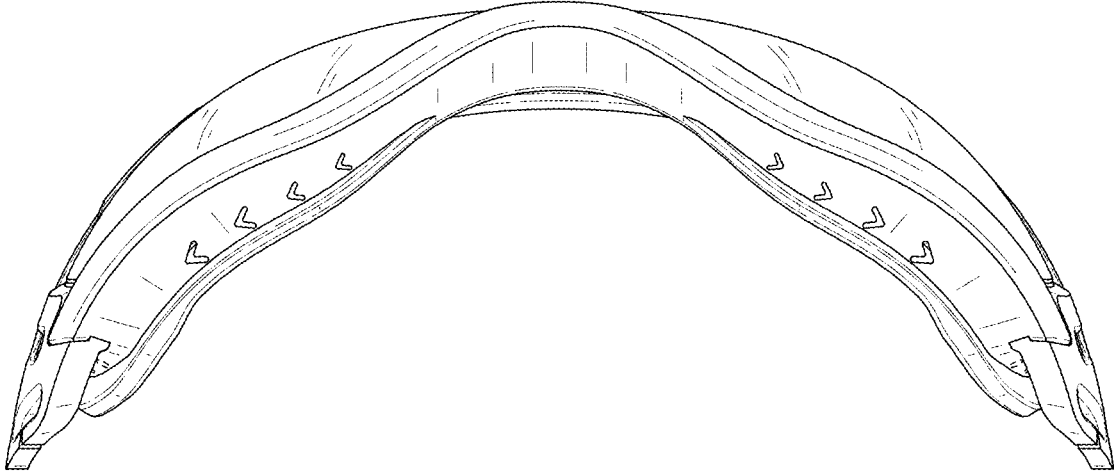


FIG. 8