



US00D397751S

United States Patent [19]
Karagozian

[11] **Patent Number:** **Des. 397,751**
[45] **Date of Patent:** ****Sep. 1, 1998**

[54] **GOLF PUTTER HEAD**

5,577,968 11/1996 Pritchett 473/340 X

[76] **Inventor:** **Jack Karagozian, 29765 Fernhill Dr., Farmington Hills, Mich. 48334**

Primary Examiner—Sandra L. Morris
Assistant Examiner—Mitchell I. Siegel
Attorney, Agent, or Firm—John R. Benefiel

[**] **Term:** **14 Years**

[57] **CLAIM**

[21] **Appl. No.:** **65,623**

The ornamental design for a golf putter head, as shown and described.

[22] **Filed:** **Jan. 31, 1997**

[51] **LOC (6) Cl.** **21-02**

[52] **U.S. Cl.** **D21/219**

[58] **Field of Search** D21/217-219;
473/340, 341, 251-256

DESCRIPTION

FIG. 1 is a side elevational view of a golf putter head according to my invention, the undisclosed opposite side being a mirror image;

FIG. 2 is an enlarged rear view of the golf putter head shown in FIG. 1;

FIG. 3 is an enlarged front view of the golf putter head shown in FIG. 1;

FIG. 4 is a side elevational view of the golf putter head shown in FIGS. 2 and 3;

FIG. 5 is a top view of the golf putter head shown in FIGS. 2-4; and,

FIG. 6 is a bottom view of the golf putter head shown in FIGS. 2-5.

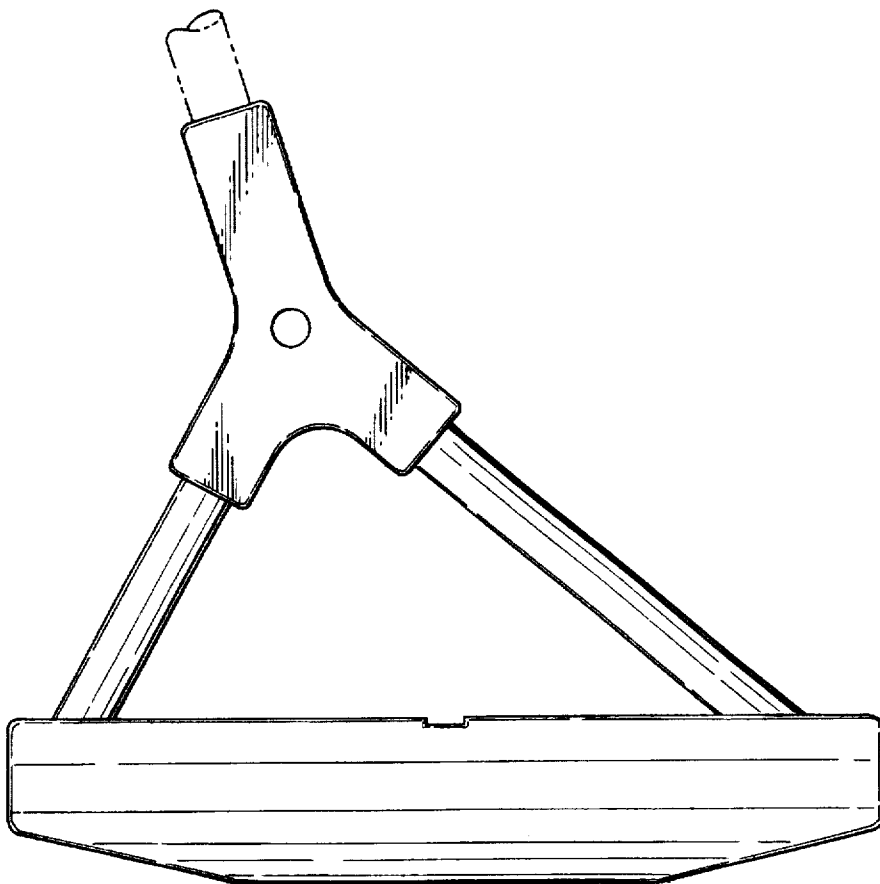
The broken line showing of a shaft is for illustrative purposes only and forms no part of the claimed design.

[56] **References Cited**

U.S. PATENT DOCUMENTS

D. 209,301	11/1967	Comitz	D21/218
D. 220,844	6/1971	Letters	D21/219
D. 223,031	2/1972	Ernst	D21/219
D. 223,766	6/1972	Houghtaling	D21/217
D. 223,767	6/1972	Houghtaling	D21/217
D. 240,749	7/1976	Benson	D21/219
D. 251,077	2/1979	Strop	D21/217
D. 293,355	12/1987	Wampler	D21/218
D. 322,112	12/1991	Kastenhube	D21/217
D. 362,705	9/1995	Sprecher	D21/218
D. 374,050	9/1996	Gurrola	D21/219
4,951,949	8/1990	Kastenhuber	473/340

1 Claim, 2 Drawing Sheets



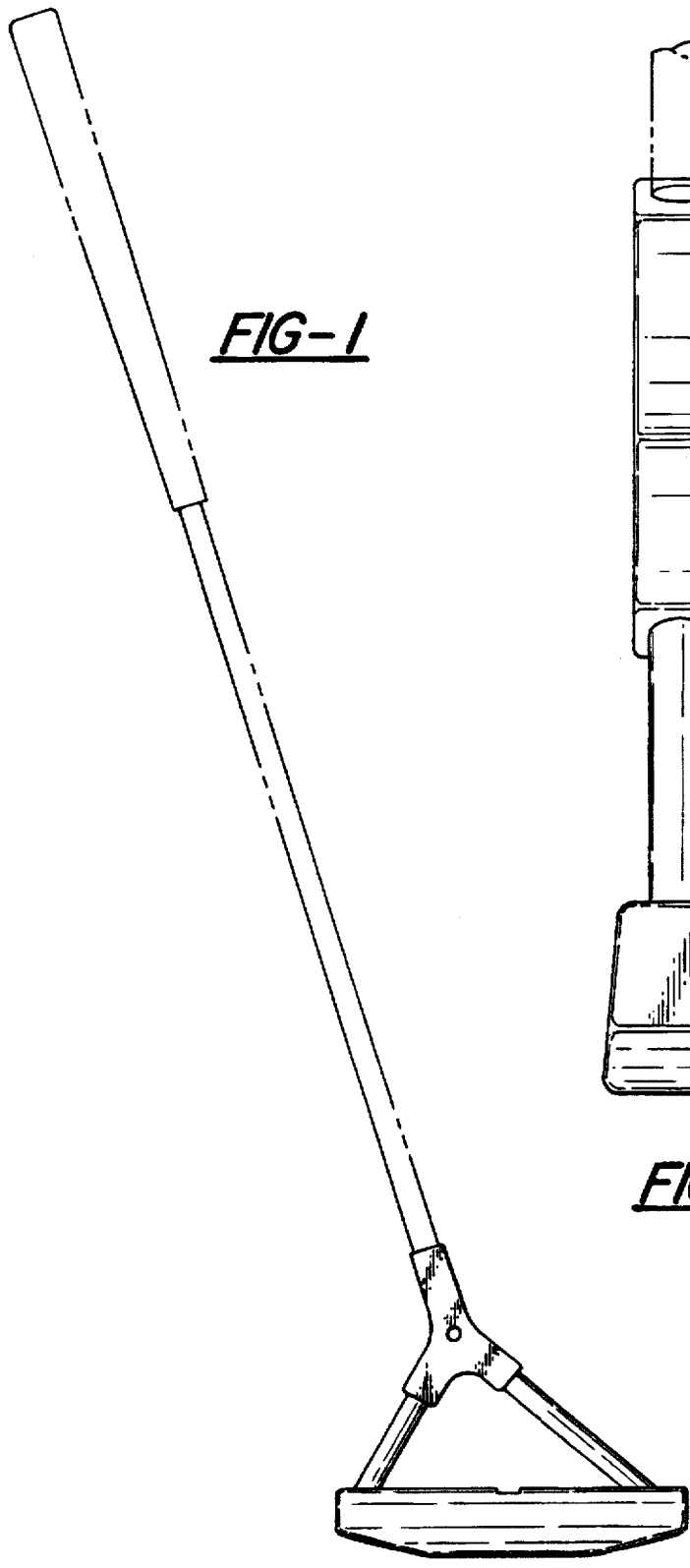


FIG-1

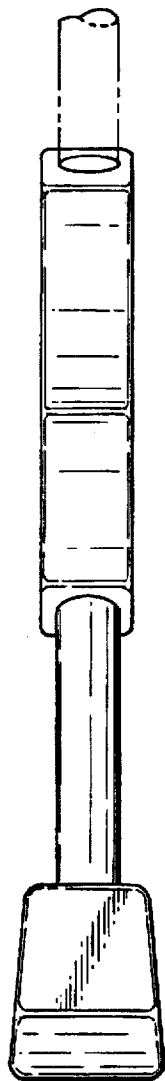


FIG-2

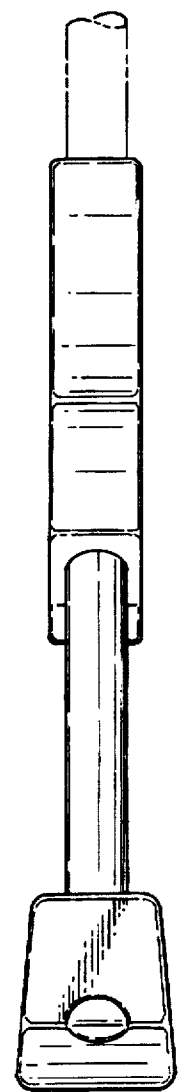


FIG-3

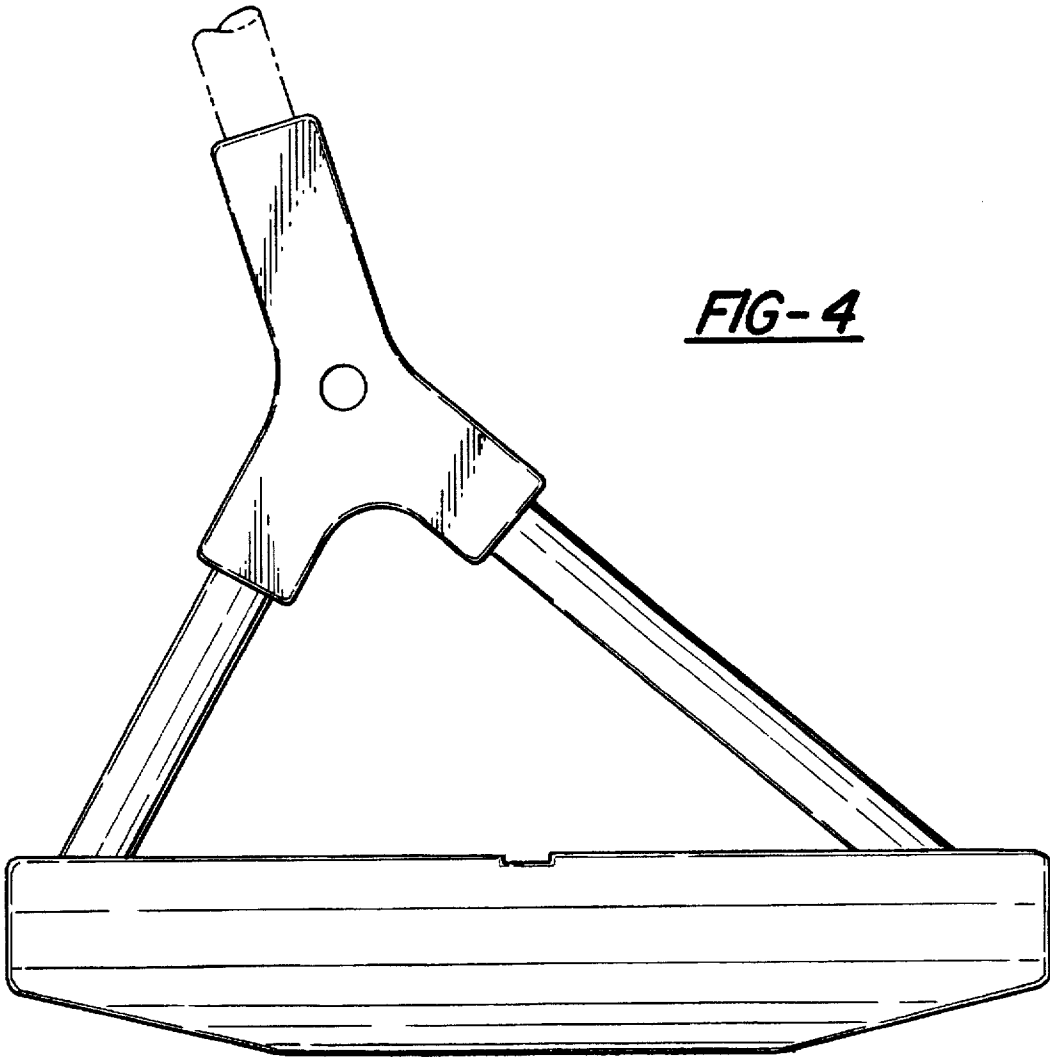


FIG-4

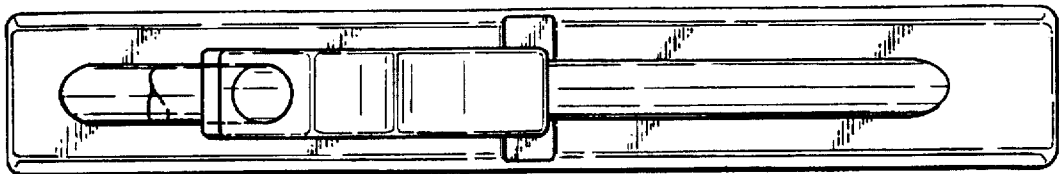


FIG-5

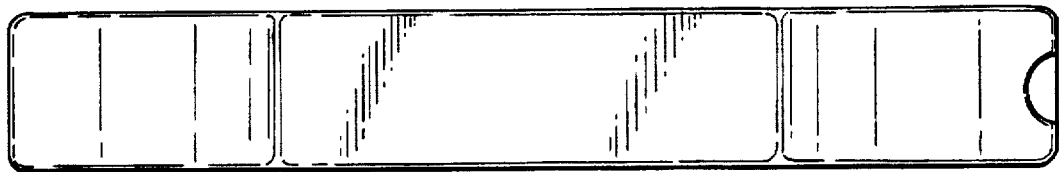


FIG-6