



US00D807539S

(12) **United States Design Patent**
Li

(10) **Patent No.:** **US D807,539 S**

(45) **Date of Patent:** **** Jan. 9, 2018**

(54) **NIGHT LIGHT**

(71) Applicant: **Shenzhen Aukey E-Business Co., Ltd.**,
Shenzhen (CN)

(72) Inventor: **Yongzhu Li**, Shenzhen (CN)

(73) Assignee: **Shenzhen Aukey E-Business Co., Ltd.**,
Shenzhen (CN)

(**) Term: **15 Years**

(21) Appl. No.: **29/595,021**

(22) Filed: **Feb. 24, 2017**

(51) **LOC (11) Cl.** **06-05**

(52) **U.S. Cl.**
USPC **D26/26**

(58) **Field of Classification Search**
USPC D26/26, 24, 113, 118, 119, 120;
D23/366, 367, 369; 362/640, 641, 642,
362/643, 644, 650, 651, 652, 653, 659
CPC F21S 8/035; F21V 23/06; F21V 23/0442;
F21W 2121/00; H01R 2103/00
See application file for complete search history.

(56) **References Cited**

U.S. PATENT DOCUMENTS

D271,042 S * 10/1983 Giannola D23/366
D342,581 S * 12/1993 Reynolds D13/137.1

D368,535 S * 4/1996 Braviroff D26/26
D408,011 S * 4/1999 Joss D13/137.2
D435,125 S * 12/2000 Boessel D26/26
D437,429 S * 2/2001 Boessel D26/26
D464,865 S * 10/2002 Luu D26/26
D469,339 S * 1/2003 Luu D26/26
D493,875 S * 8/2004 Groene D23/366
D515,959 S * 2/2006 Nelson D10/114.1
D619,276 S * 7/2010 Choi D26/26
D719,688 S * 12/2014 Goyal D13/177
D720,092 S * 12/2014 Trice D26/26

* cited by examiner

Primary Examiner — Angela J Lee

(74) *Attorney, Agent, or Firm* — JiangIP LLC; Yanling Jiang

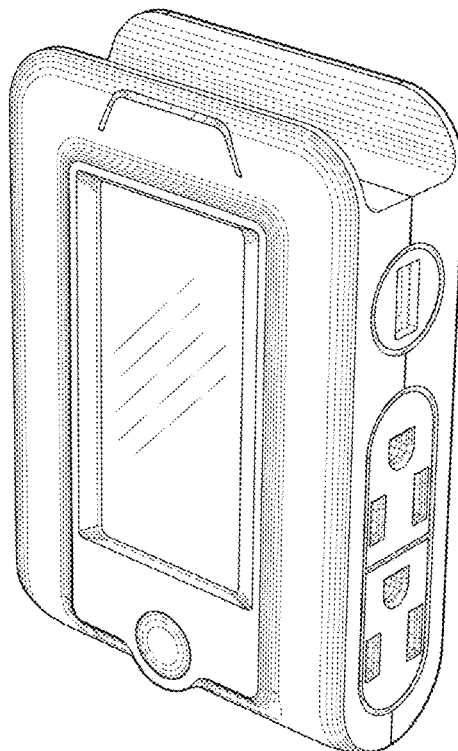
(57) **CLAIM**

The ornamental design for a night light, as shown and described.

DESCRIPTION

FIG. 1 is a perspective view showing a night light.
FIG. 2 is a front view of a night light.
FIG. 3 is a rear view of a night light.
FIG. 4 is a top view of a night light.
FIG. 5 is a bottom view of a night light.
FIG. 6 is a side view of a night light; and,
FIG. 7 is a side view of a night light.

1 Claim, 7 Drawing Sheets



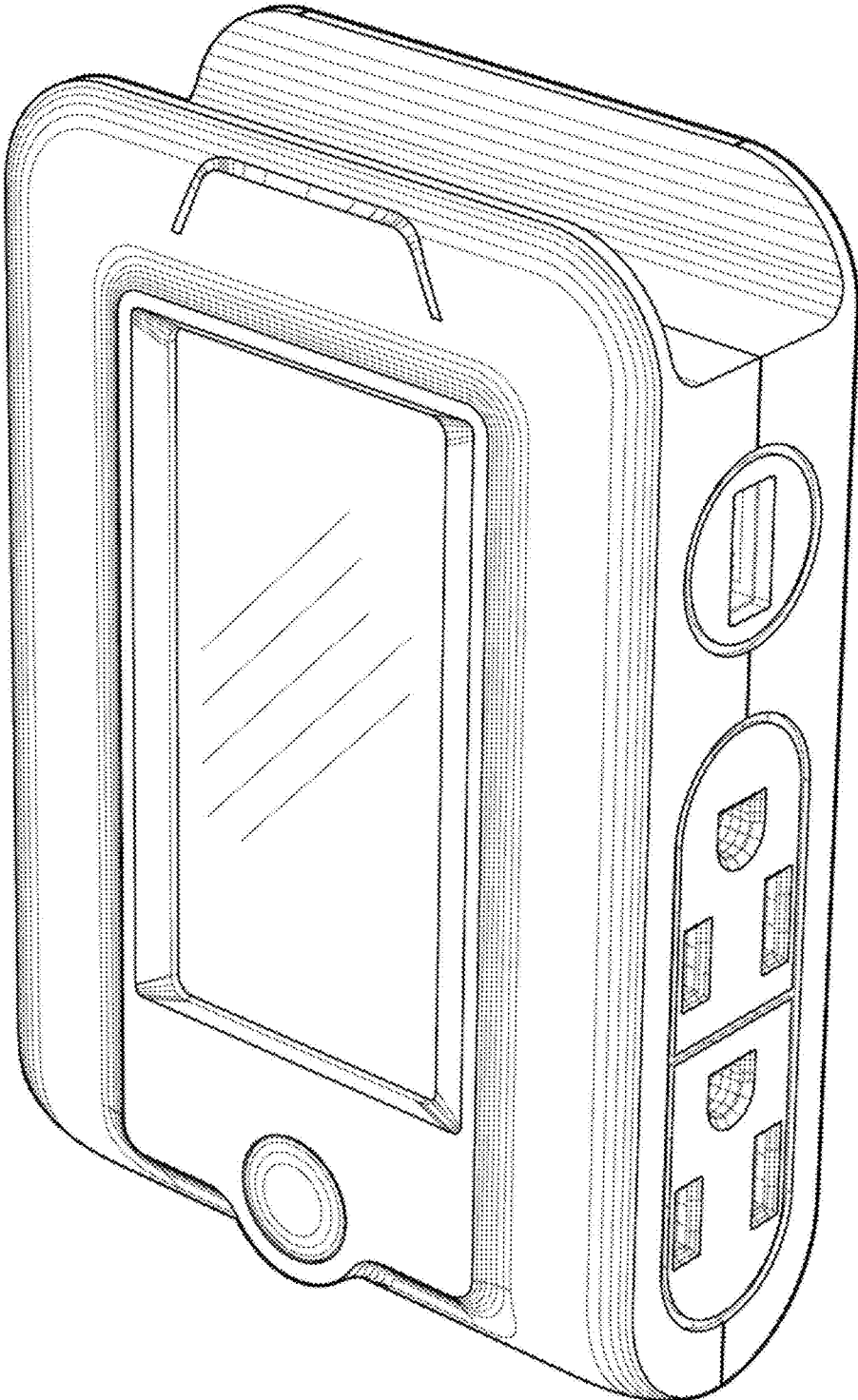


Fig. 1

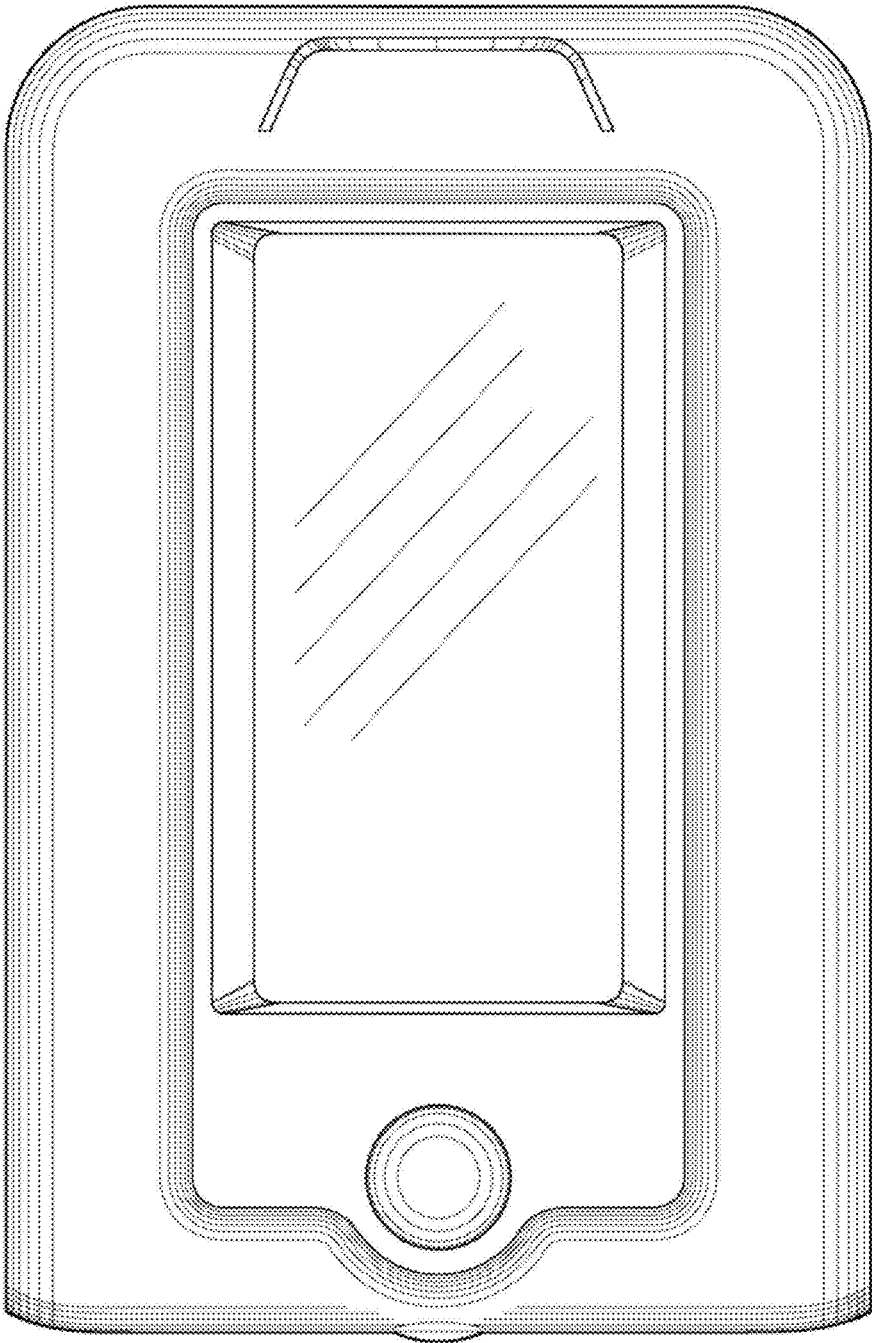


Fig. 2

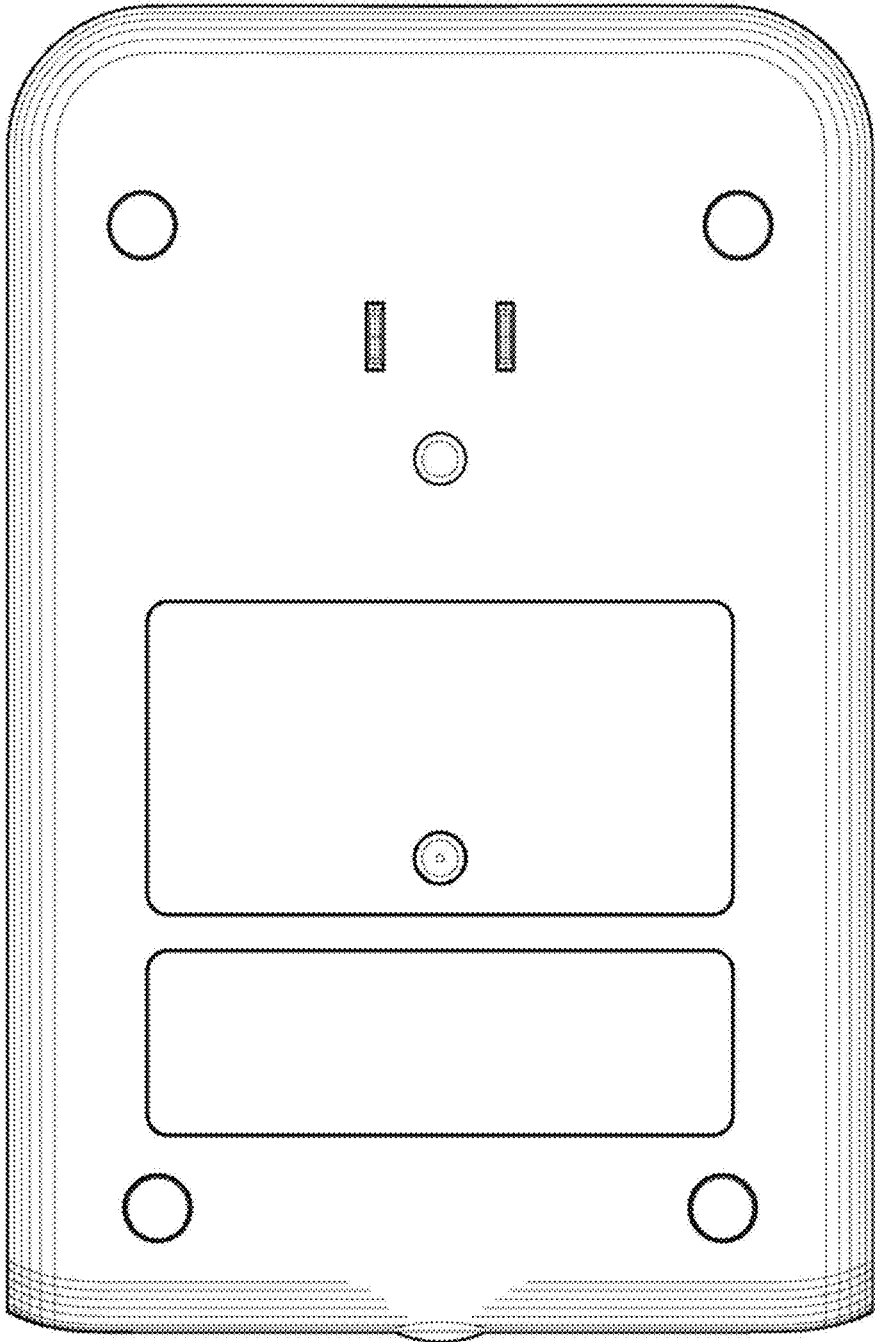


Fig. 3

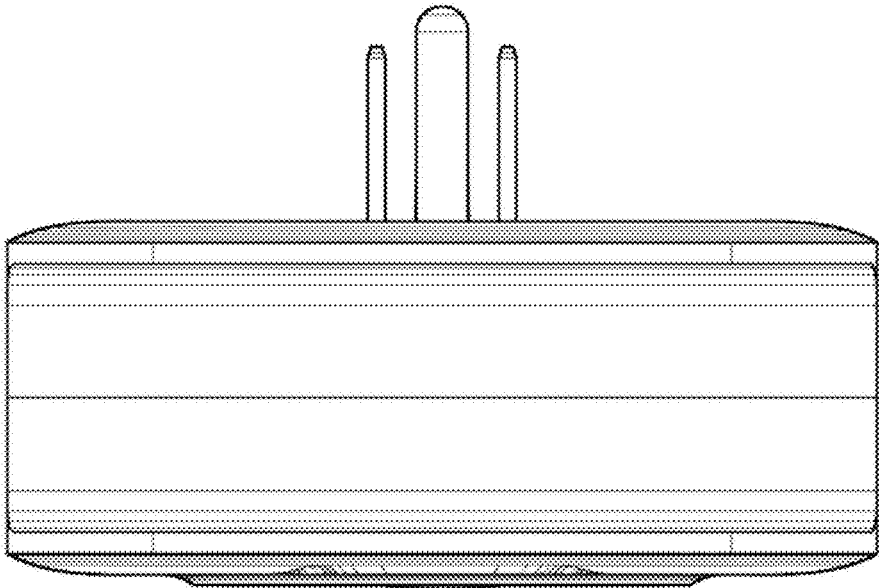


Fig. 4

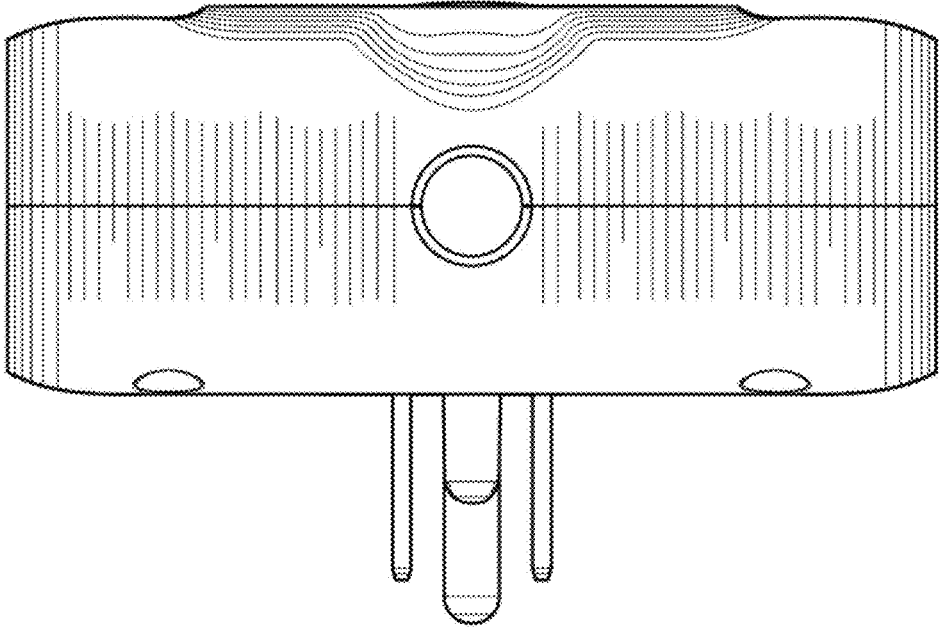


Fig. 5

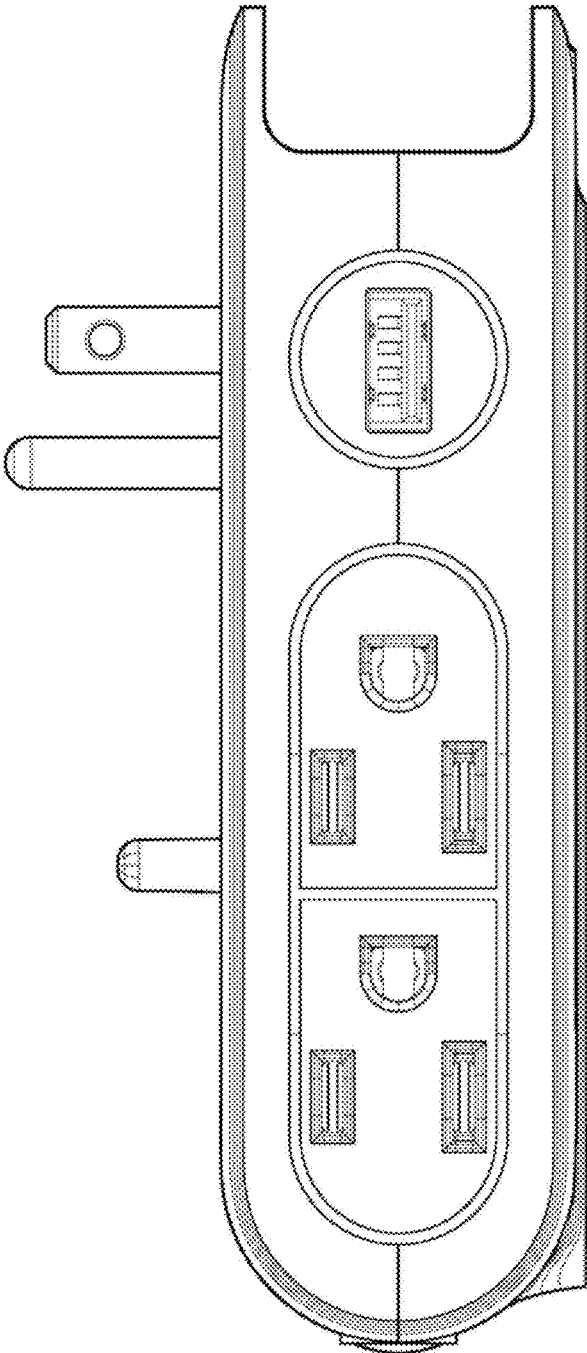


Fig. 6

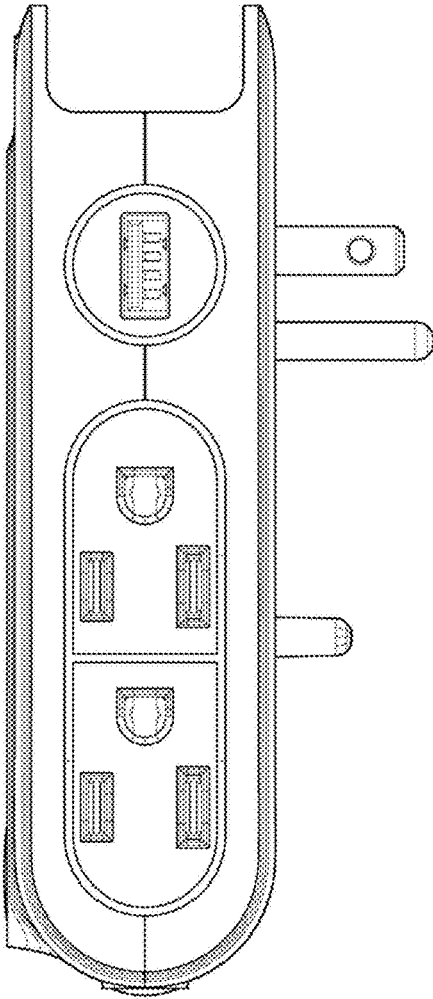


Fig. 7