



US00D461516S

(12) **United States Design Patent**
Chen

(10) **Patent No.:** **US D461,516 S**

(45) **Date of Patent:** **** Aug. 13, 2002**

(54) **SURFBOARD**

(76) **Inventor:** **Sherry Chen**, P.O.Box 63-99, Taichung (TW), 406

(**) **Term:** **14 Years**

(21) **Appl. No.:** **29/153,155**

(22) **Filed:** **Dec. 31, 2001**

(51) **LOC (7) Cl.** **21-02**

(52) **U.S. Cl.** **D21/770**

(58) **Field of Search** D21/769, 770, D21/803, 804, 760, 809, 810; 441/74, 55, 56, 65, 66, 75, 79, 129, 132; 114/253; 472/128, 129; 482/55, 11

(56) **References Cited**

U.S. PATENT DOCUMENTS

D183,016 S	*	6/1958	O'Herron	D21/769
D195,384 S	*	6/1963	Del Mar	D21/769
4,439,165 A	*	3/1984	Rothstein	441/74
4,878,980 A	*	11/1989	Stedman	441/74
D314,033 S	*	1/1991	Chang	D21/770

5,634,834 A	*	6/1997	Cole et al.	441/65
5,833,505 A	*	11/1998	Huang	441/129
D446,273 S	*	8/2001	Natale	D21/769

* cited by examiner

Primary Examiner—Lucy Lieberman

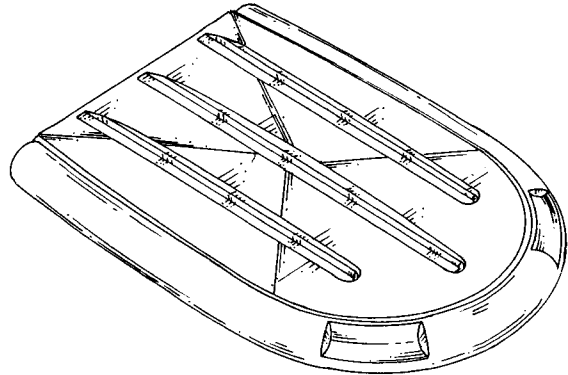
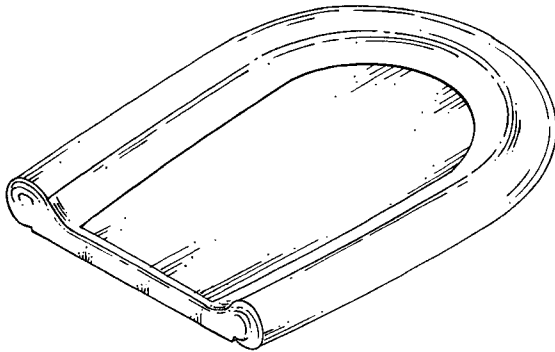
(57) **CLAIM**

The ornamental design for a surfboard, as shown and described.

DESCRIPTION

FIG. 1 is a top perspective view of a surfboard showing my new design;
 FIG. 2 is a bottom perspective view of the surfboard showing my new design;
 FIG. 3 is a front elevational view thereof;
 FIG. 4 is a rear elevational view thereof;
 FIG. 5 is a top plan view thereof;
 FIG. 6 is a bottom plan view thereof;
 FIG. 7 is a left side elevational view thereof; and,
 FIG. 8 is a right side elevational view thereof.

1 Claim, 2 Drawing Sheets



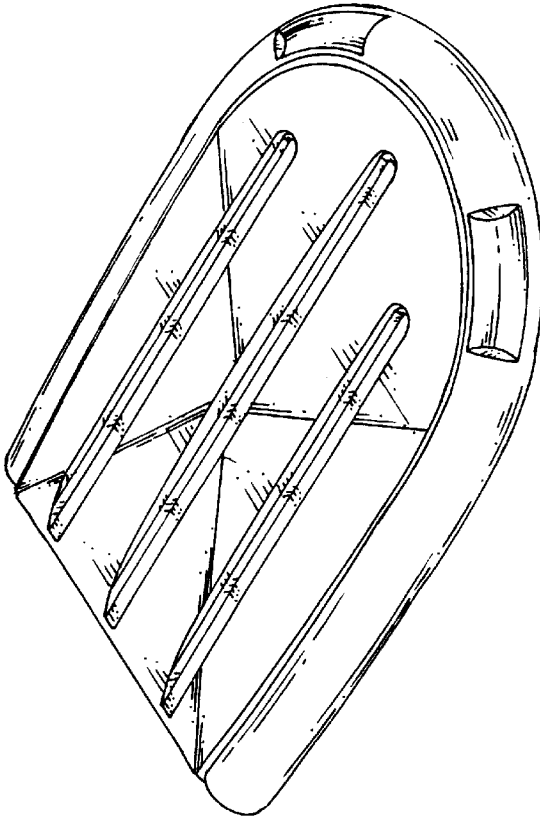


FIG. 1

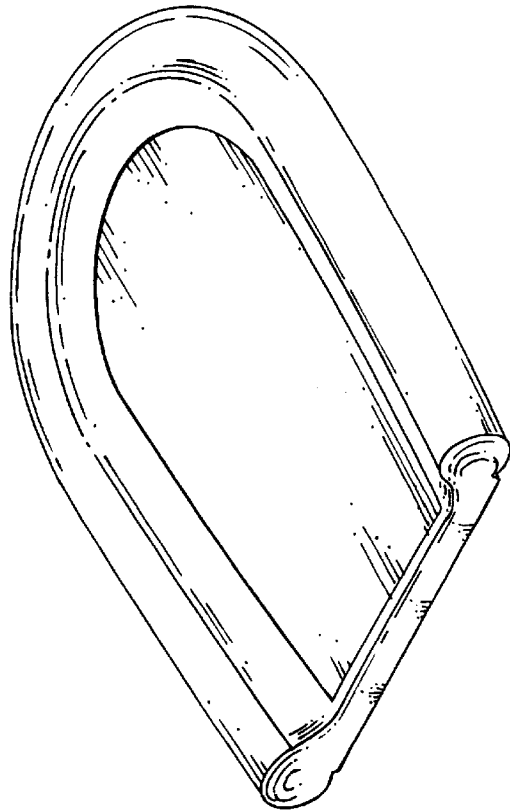


FIG. 2



FIG. 3

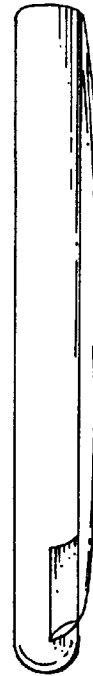


FIG. 4

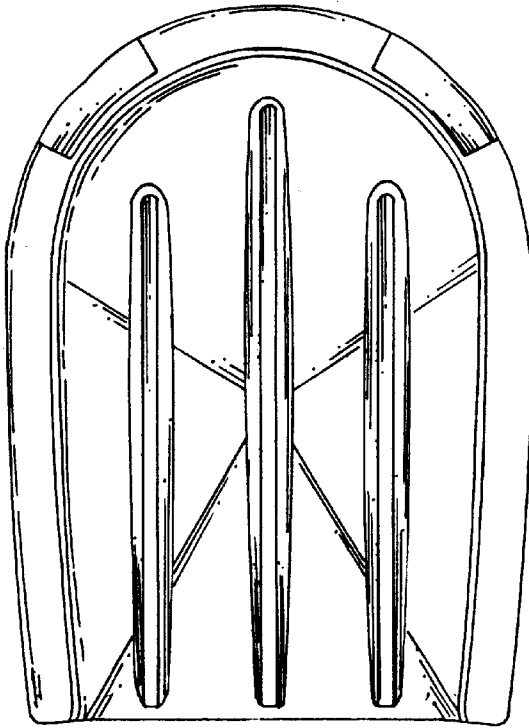


FIG. 6



FIG. 8

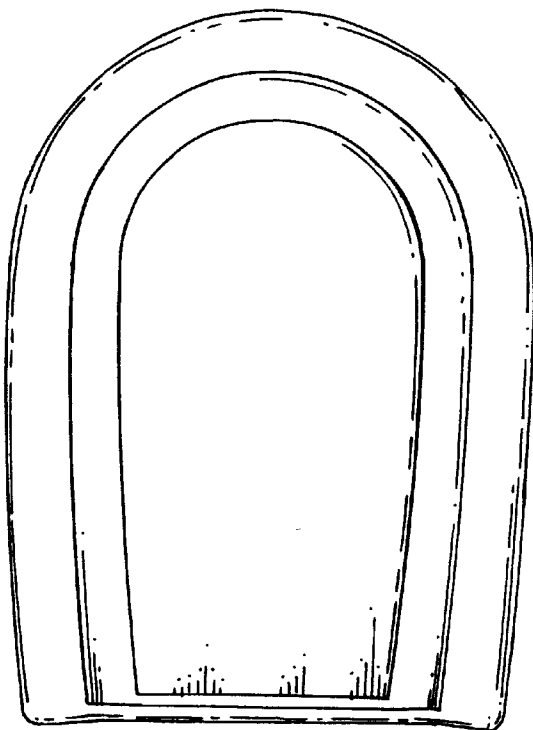


FIG. 5



FIG. 7