



US00D769350S

(12) **United States Design Patent** (10) **Patent No.:** **US D769,350 S**  
**Orzeck et al.** (45) **Date of Patent:** **\*\* Oct. 18, 2016**

(54) **SPORT GOGGLE**  
(71) Applicant: **ABOMINABLE LABS, LLC**, Lake Oswego, OR (US)  
(72) Inventors: **Toren P. B. Orzeck**, Portland, OR (US); **Eric D. Groner**, Portland, OR (US); **Tanner G. Alberts**, Beaverton, OR (US)

D484,171 S \* 12/2003 Urabe ..... D16/312  
D484,524 S \* 12/2003 Wiedner ..... D16/312  
D488,182 S \* 4/2004 Sheldon ..... D16/312  
D503,422 S \* 3/2005 Canavan ..... D16/101  
D505,444 S \* 5/2005 Borlet ..... D16/312  
D510,378 S \* 10/2005 Dondero ..... D16/312  
D536,021 S \* 1/2007 Chou ..... D16/312  
D538,834 S \* 3/2007 Mangum ..... D16/312

(Continued)

(73) Assignee: **ABOMINABLE LABS, LLC**, Lake Oswego, OR (US)  
(\*\*) Term: **15 Years**

**OTHER PUBLICATIONS**

F-Bom Goggles. Retrieved from the internet on Aug. 30, 2016 at [http://www.abom.com/], 11 Pages.\*

(Continued)

(21) Appl. No.: **29/539,997**  
(22) Filed: **Sep. 18, 2015**  
(51) **LOC (10) Cl.** ..... **16-06**  
(52) **U.S. Cl.**  
USPC ..... **D16/312**  
(58) **Field of Classification Search**  
USPC ..... D16/101, 300-342, 900; D29/109-110; D21/483, 659-661; D14/372; 351/41, 351/44, 45-48, 51-52, 62, 158, 92, 351/103-123, 140-153, 63, 59; 2/13, 15, 2/426-432, 447-449, 441, 434-437  
CPC ..... G02C 2200/08; G02C 1/06; G02C 5/14; G02C 11/02; G02C 11/04; G02C 5/16; G02C 2200/22; G02C 5/146; G02C 5/2254; G02C 5/008; G01C 5/16; A61M 2021/0044; A63B 33/002  
See application file for complete search history.

*Primary Examiner* — Rosemary K Tarcza  
*Assistant Examiner* — Sanjeev Paul  
(74) *Attorney, Agent, or Firm* — Howard Russell

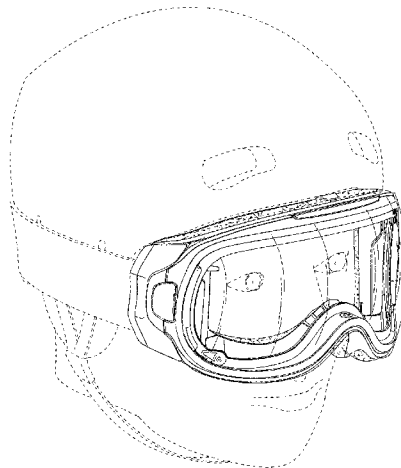
(57) **CLAIM**  
The ornamental design for a sport goggle, as shown and described.

**DESCRIPTION**

FIG. 1 is a front perspective view of a sport goggle showing our design in a position of use.  
FIG. 2 is a front perspective view thereof;  
FIG. 3 is a rear perspective view thereof;  
FIG. 4 is a front elevation view thereof;  
FIG. 5 is a left-side elevation view thereof;  
FIG. 6 is a right-side elevation view thereof;  
FIG. 7 is a top plan view thereof;  
FIG. 8 is a bottom plan view thereof; and  
FIG. 9 a back elevation view thereof.  
The broken lines showing the head and helmet in FIG. 1 are included for the purpose of illustrating environmental structure and form no part of the claimed design. The broken lines showing the sport goggle strap in FIGS. 1-8 are included for the purpose of illustrating unclaimed portions of the sport goggle and form no part of the claimed design.

**1 Claim, 9 Drawing Sheets**

(56) **References Cited**  
**U.S. PATENT DOCUMENTS**  
D327,490 S \* 6/1992 Wilson ..... D16/312  
D335,365 S \* 5/1993 Sato ..... D24/110.2  
D367,875 S \* 3/1996 Lutz ..... D16/311  
D368,107 S \* 3/1996 Lutz ..... D16/311  
6,047,410 A \* 4/2000 Dondero ..... A61F 9/027  
2/426  
D427,225 S \* 6/2000 Arnette ..... D16/312



(56)

References Cited

U.S. PATENT DOCUMENTS

D541,328 S \* 4/2007 Saderholm ..... D16/312  
 D542,327 S \* 5/2007 Hsu ..... D16/312  
 D542,829 S \* 5/2007 Hsu ..... D16/312  
 D542,830 S \* 5/2007 Hsu ..... D16/312  
 D544,900 S \* 6/2007 Li ..... D16/312  
 D547,354 S \* 7/2007 Fuchs ..... D16/312  
 D547,788 S \* 7/2007 Cheng ..... D16/311  
 D549,267 S \* 8/2007 Chen ..... D16/312  
 D551,278 S \* 9/2007 Moritz ..... D16/312  
 D551,280 S \* 9/2007 Li ..... D16/312  
 D552,662 S \* 10/2007 Woxing ..... D16/312  
 D556,238 S \* 11/2007 Yang ..... D16/312  
 D556,812 S \* 12/2007 Wang-Lee ..... D16/312  
 D581,964 S \* 12/2008 Hooper ..... D16/311  
 D592,694 S \* 5/2009 Fuchs ..... D16/312  
 D608,816 S \* 1/2010 Wang-Lee ..... D16/312  
 D609,265 S \* 2/2010 Wang-Lee ..... D16/312  
 D610,602 S \* 2/2010 Yun ..... D16/312  
 D620,039 S \* 7/2010 Cyr ..... D16/311  
 D620,969 S \* 8/2010 Cyr ..... D16/312  
 D626,166 S \* 10/2010 Yang ..... D16/312  
 D626,987 S \* 11/2010 Yang ..... D16/312  
 D629,442 S \* 12/2010 Tominaga ..... D16/312  
 D633,937 S \* 3/2011 Yasuhara ..... D16/312  
 D640,724 S \* 6/2011 Goodman ..... D16/312  
 D649,178 S \* 11/2011 Moritz ..... D16/312  
 D669,113 S \* 10/2012 Sandor ..... D16/309  
 D670,753 S \* 11/2012 Chen ..... D16/312  
 8,316,470 B2 11/2012 McNeal et al.  
 8,356,895 B2 1/2013 Jackson et al.  
 D678,932 S \* 3/2013 Moritz ..... D16/312  
 D687,479 S \* 8/2013 Moritz ..... D16/312  
 D695,335 S \* 12/2013 Goodman ..... D16/312  
 D704,249 S \* 5/2014 Orzeck ..... D16/309  
 D711,961 S \* 8/2014 Arnette ..... D16/312  
 D714,378 S \* 9/2014 Sandor ..... D16/313

D715,350 S \* 10/2014 Moritz ..... D16/312  
 D718,369 S \* 11/2014 Janavicius ..... D16/312  
 D723,094 S \* 2/2015 Chen ..... D16/312  
 D727,398 S \* 4/2015 Blanchard ..... D16/312  
 D747,758 S \* 1/2016 Lee ..... D16/312  
 D761,344 S \* 7/2016 Chen ..... D16/312  
 2003/0110552 A1 \* 6/2003 Youmans ..... A61F 9/028  
 2/426  
 2003/0233702 A1 \* 12/2003 Chen ..... A61F 9/027  
 2/428  
 2007/0169252 A1 \* 7/2007 Rayl ..... A61F 9/028  
 2/435  
 2008/0316421 A1 \* 12/2008 Wang ..... A61F 9/025  
 351/62  
 2009/0100577 A1 \* 4/2009 Kobayashi ..... A61F 9/02  
 2/436  
 2011/0296596 A1 \* 12/2011 Chen ..... A61F 9/028  
 2/436  
 2012/0236250 A1 \* 9/2012 Yang ..... G02C 7/02  
 351/62  
 2012/0324638 A1 12/2012 Tobia  
 2013/0185849 A1 \* 7/2013 Laughlin ..... A61F 9/025  
 2/431  
 2015/0202087 A1 \* 7/2015 Chen ..... A61F 9/026  
 2/431  
 2015/0290036 A1 \* 10/2015 Wang-Lee ..... A61F 9/026  
 2/428  
 2015/0320600 A1 \* 11/2015 Blanchard ..... A61F 9/025  
 2/431

OTHER PUBLICATIONS

F-Bom Goggles. Retrieved from the internet on Aug. 8, 2016 at [http://www.abom.com/], 11 Pages. Internet Archive, dated Oct. 1, 2014. [https://web.archive.org/web/20141001024017/http://www.abom.com/].\*

\* cited by examiner

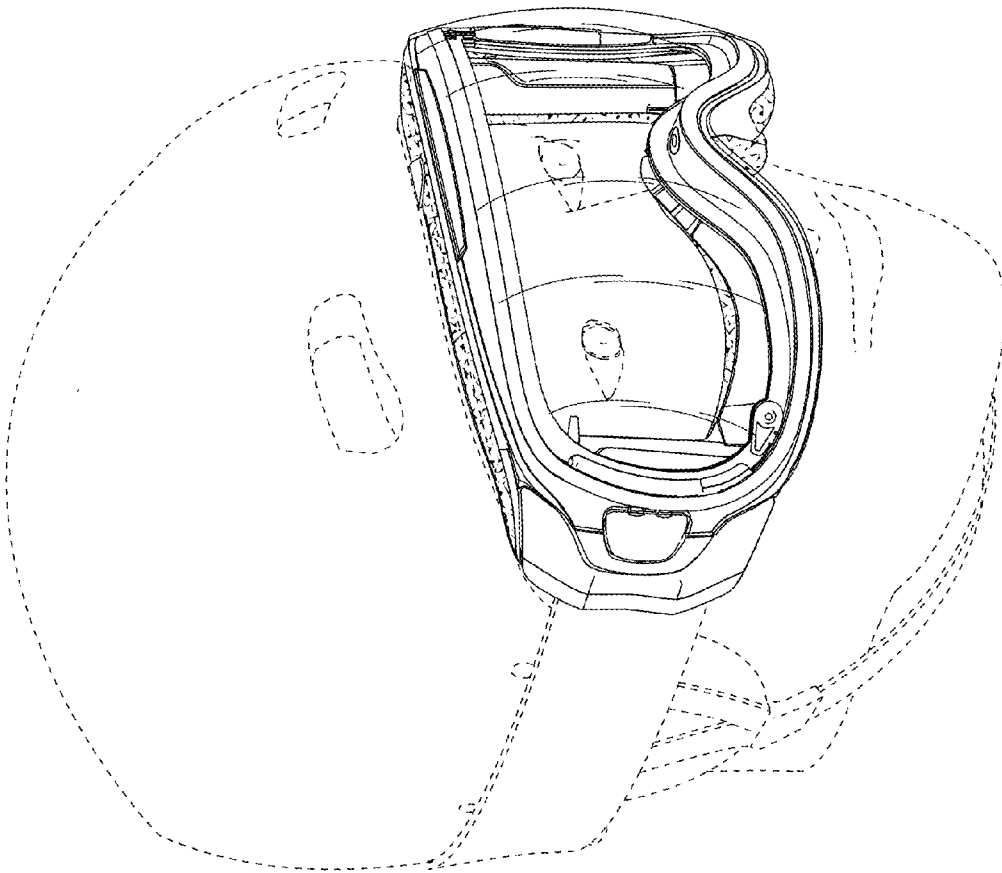


FIG. 1

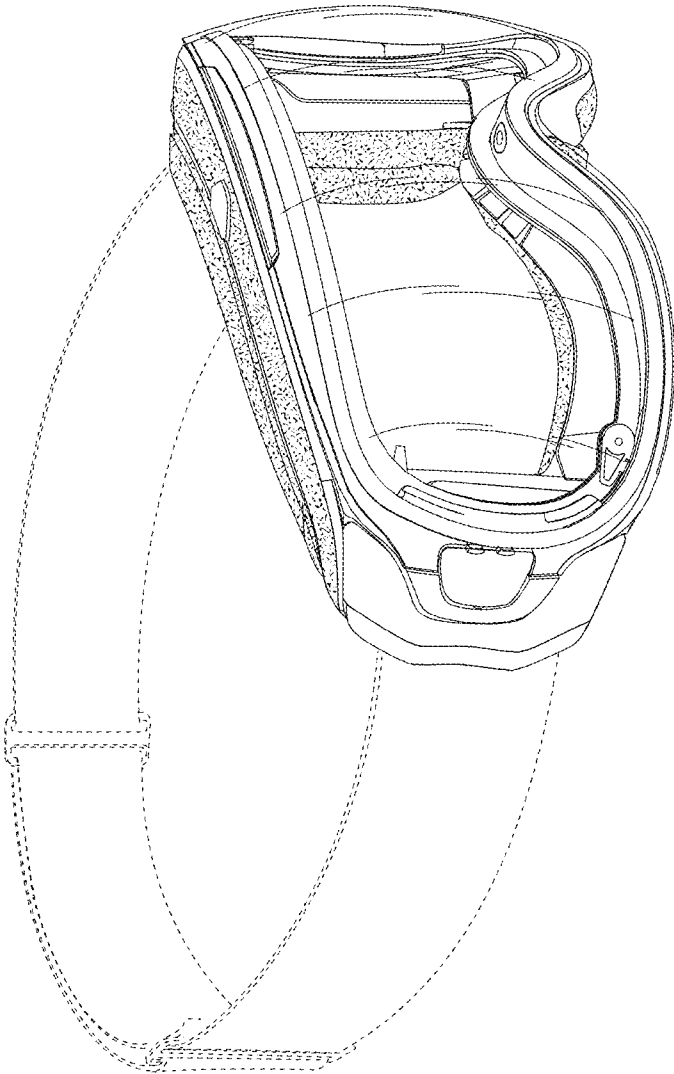


FIG. 2

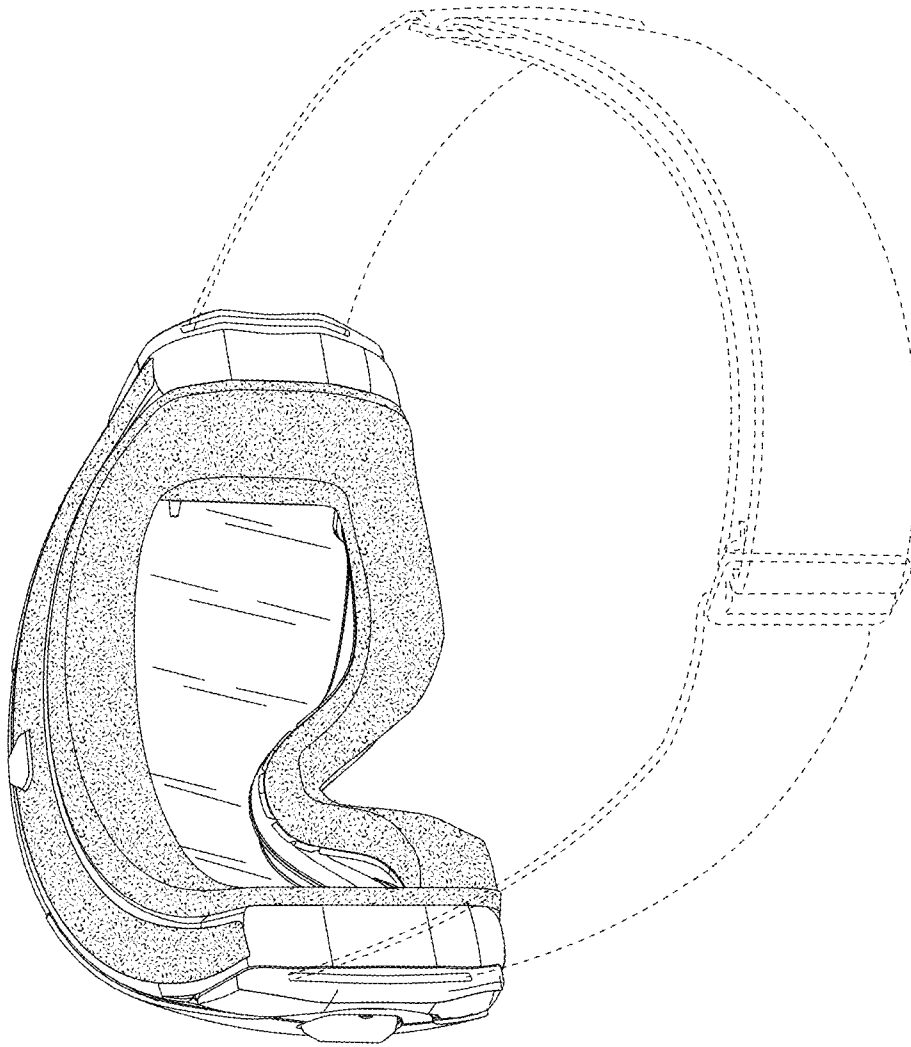


FIG. 3

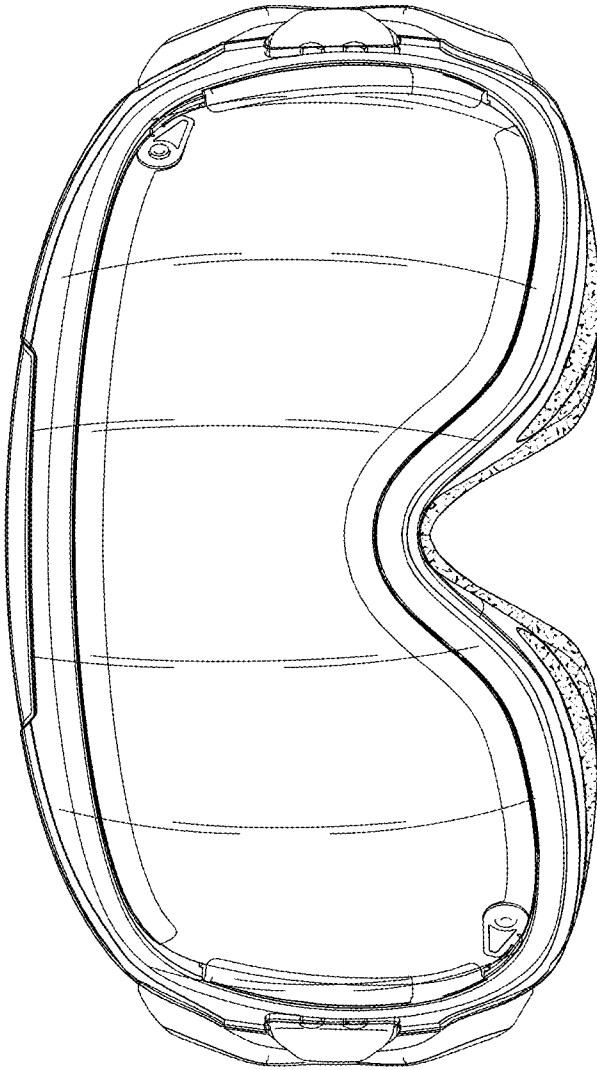


FIG. 4

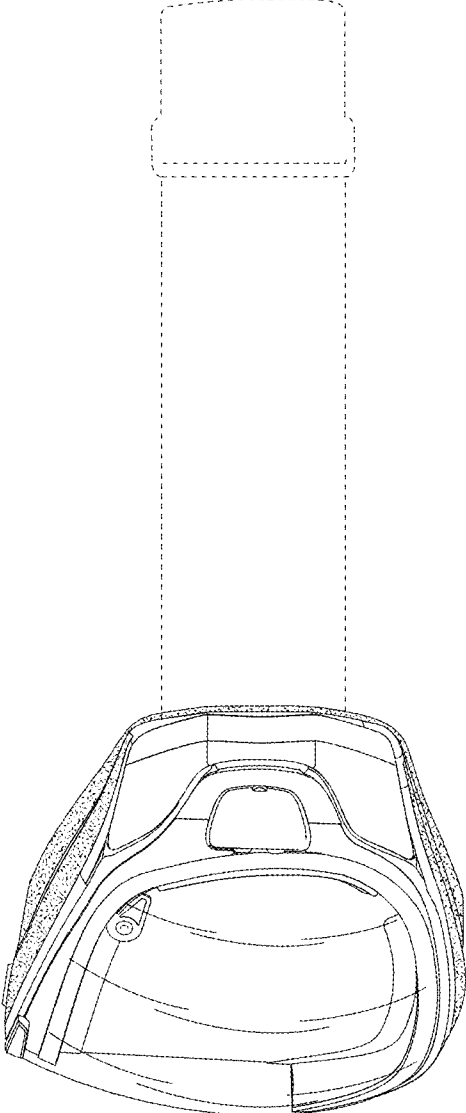


FIG. 5

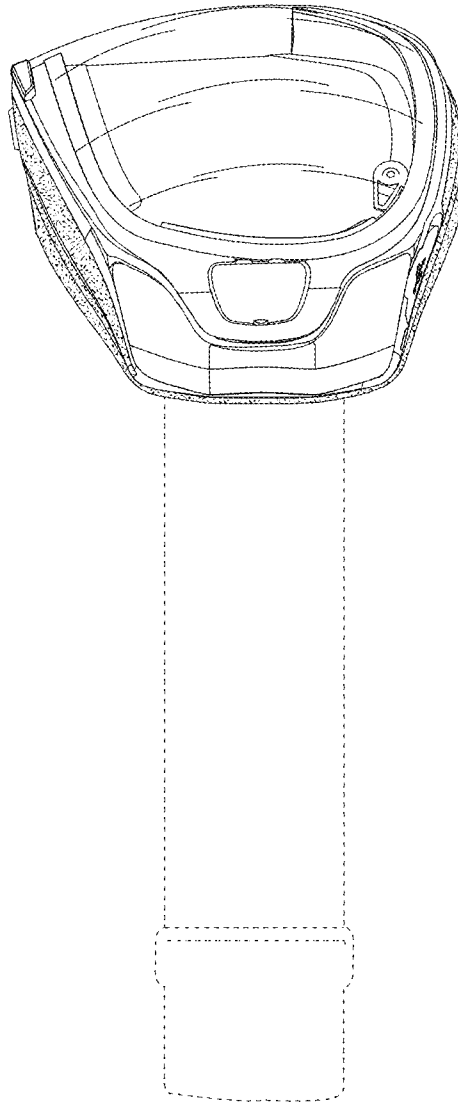


FIG. 6

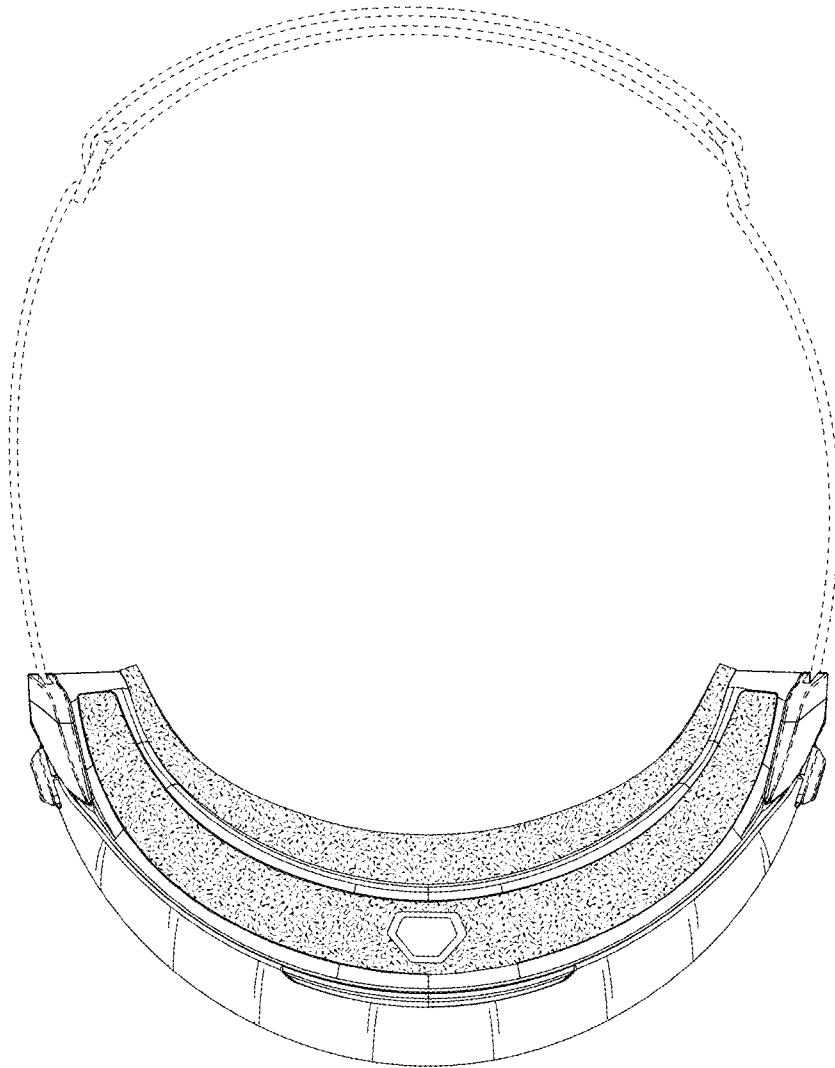


FIG. 7

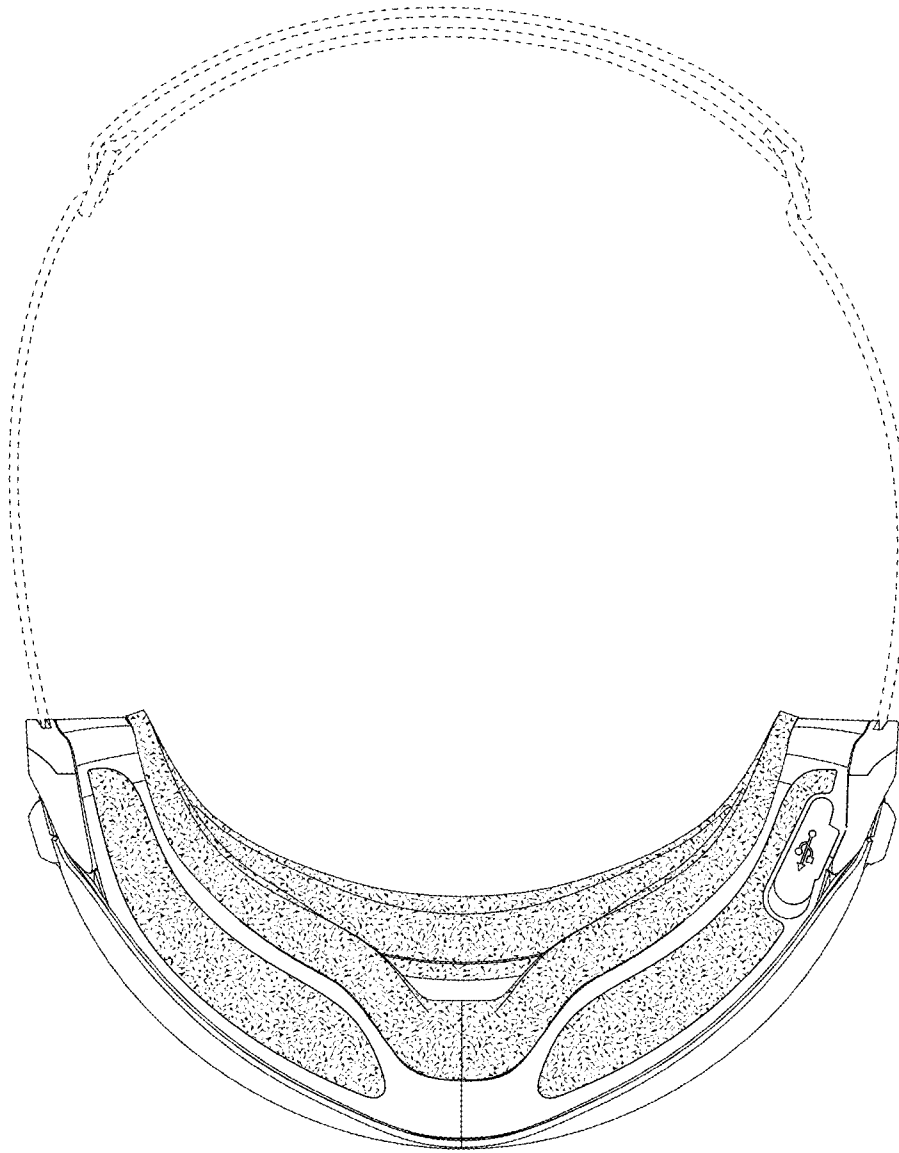


FIG. 8

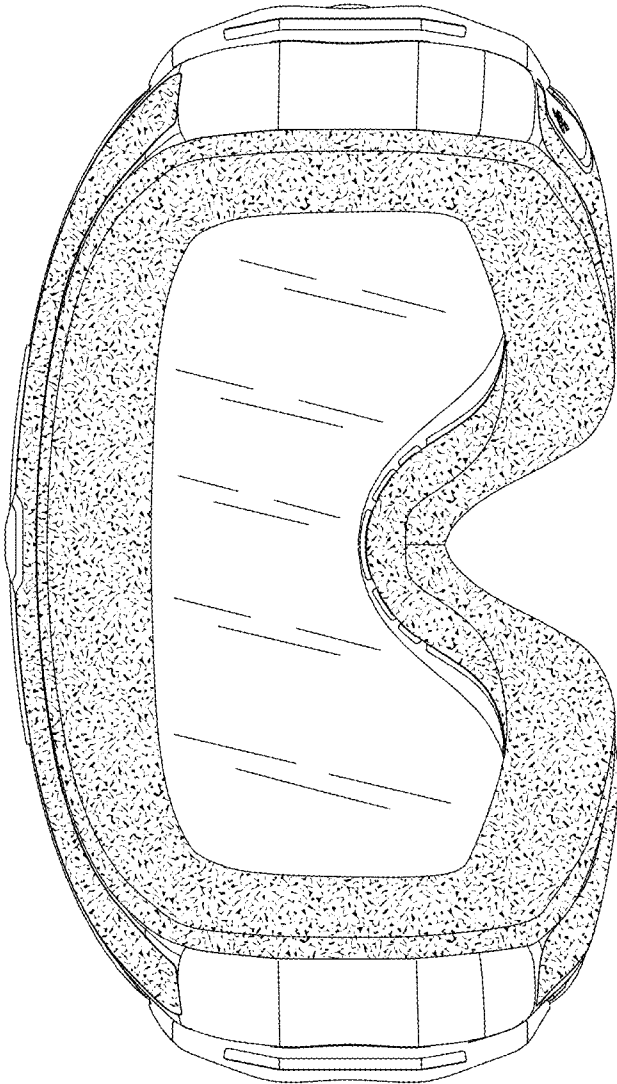


FIG. 9