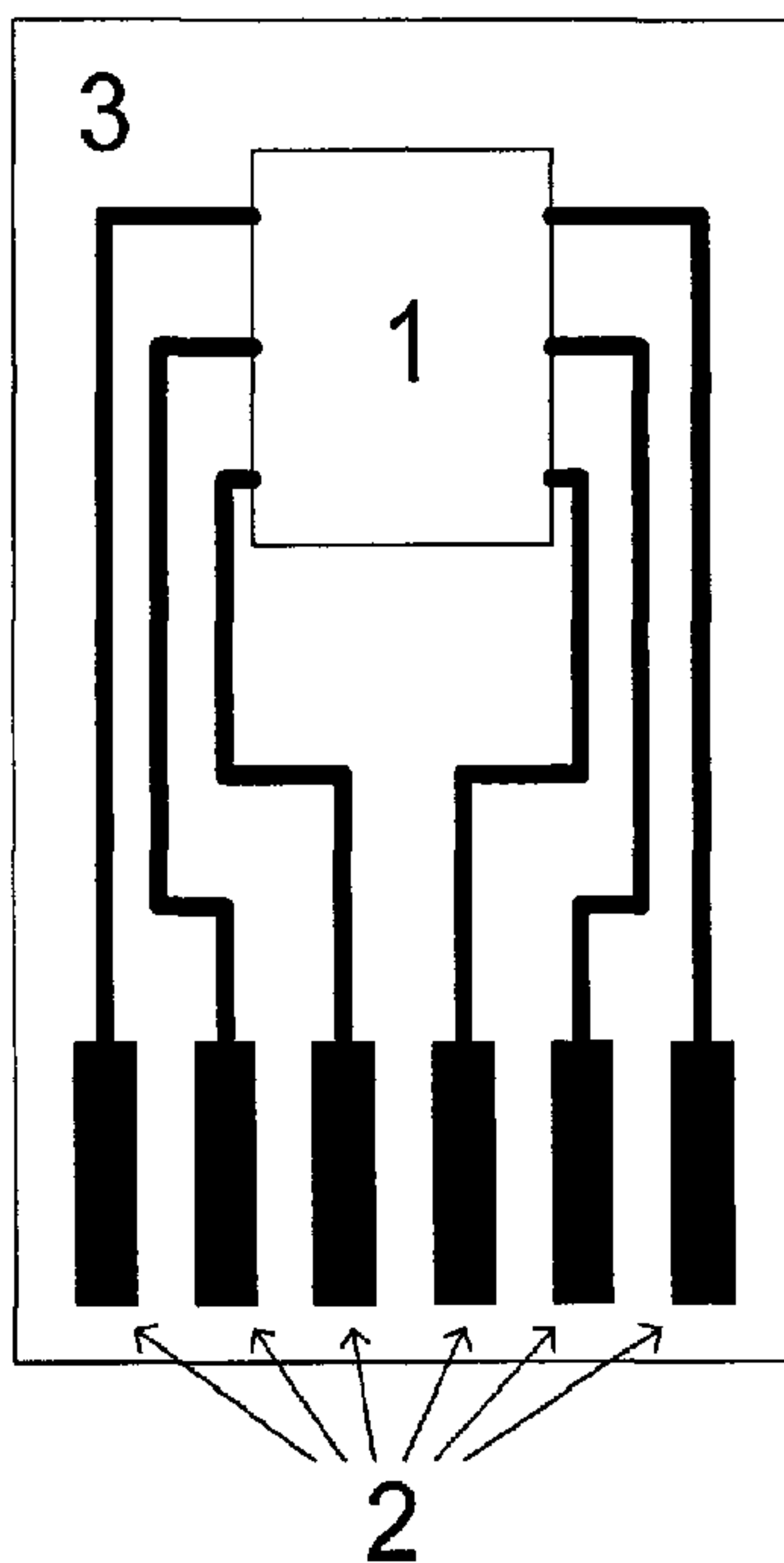




(86) Date de dépôt PCT/PCT Filing Date: 2008/08/29
 (87) Date publication PCT/PCT Publication Date: 2009/03/05
 (45) Date de délivrance/Issue Date: 2017/04/18
 (85) Entrée phase nationale/National Entry: 2011/02/25
 (86) N° demande PCT/PCT Application No.: US 2008/074844
 (87) N° publication PCT/PCT Publication No.: 2009/029827
 (30) Priorité/Priority: 2007/09/01 (US60/967,291)

(51) Cl.Int./Int.Cl. *G01N 35/00* (2006.01)
 (72) Inventeurs/Inventors:
 KRIZ, DARIO, SE;
 KRIZ, KIRSTIN ANN, SE
 (73) Propriétaire/Owner:
 LIFEASSAYS AB, SE
 (74) Agent: MBM INTELLECTUAL PROPERTY LAW LLP

(54) Titre : DISPOSITIF DE MICROPROCESSEUR ANALYTIQUE JETABLE
 (54) Title: DISPOSABLE ANALYTICAL MICROPROCESSOR DEVICE



(57) **Abrégé/Abstract:**

The present invention generally relates to the determination of an analyte concentration (quantitative determination) or whether an analyte threshold level has been passed (qualitative determination) in a biological sample through employment of a disposable analytical microprocessor device. The device can include a batch-specific, self-executable algorithm for the calculation of the analyte concentration.

(12) INTERNATIONAL APPLICATION PUBLISHED UNDER THE PATENT COOPERATION TREATY (PCT)

(19) World Intellectual Property Organization
International Bureau(43) International Publication Date
5 March 2009 (05.03.2009)

PCT

(10) International Publication Number
WO 2009/029827 A1(51) International Patent Classification:
G01N 35/00 (2006.01)**KRIZ, Kirstin, Ann** [US/SE]; Bosjokloster Bomhuset
688, S-243 95 Hoor (SE).(21) International Application Number:
PCT/US2008/074844(74) Agents: **LAI, Karen** et al.; Davis Wright Tremaine LLP,
505 Montgomery Street, Suite 800, San Francisco, CA
94111 (US).

(22) International Filing Date: 29 August 2008 (29.08.2008)

(25) Filing Language: English

(26) Publication Language: English

(30) Priority Data:
60/967,291 1 September 2007 (01.09.2007) US(81) Designated States (*unless otherwise indicated, for every
kind of national protection available*): AE, AG, AL, AM,
AO, AT, AU, AZ, BA, BB, BG, BH, BR, BW, BY, BZ, CA,
CH, CN, CO, CR, CU, CZ, DE, DK, DM, DO, DZ, EC, EE,
EG, ES, FI, GB, GD, GE, GH, GM, GT, HN, HR, HU, ID,
IL, IN, IS, JP, KE, KG, KM, KN, KP, KR, KZ, LA, LC, LK,
LR, LS, LT, LU, LY, MA, MD, ME, MG, MK, MN, MW,
MX, MY, MZ, NA, NG, NI, NO, NZ, OM, PG, PH, PL, PT,
RO, RS, RU, SC, SD, SE, SG, SK, SL, SM, ST, SV, SY, TJ,
TM, TN, TR, TT, TZ, UA, UG, US, UZ, VC, VN, ZA, ZM,
ZW.(71) Applicant (*for all designated States except US*): **LIFE-
ASSAYS AB** [SE/SE]; Science Park IDEON, S-223 70
Lund (SE).

(72) Inventors; and

(75) Inventors/Applicants (*for US only*): **KRIZ, Dario**
[SE/SE]; Bosjokloster Bomhuset 688, S-243 95 Hoor (SE).(84) Designated States (*unless otherwise indicated, for every
kind of regional protection available*): ARIPO (BW, GH,
GM, KE, LS, MW, MZ, NA, SD, SL, SZ, TZ, UG, ZM,

[Continued on next page]

(54) Title: DISPOSABLE ANALYTICAL MICROPROCESSOR DEVICE

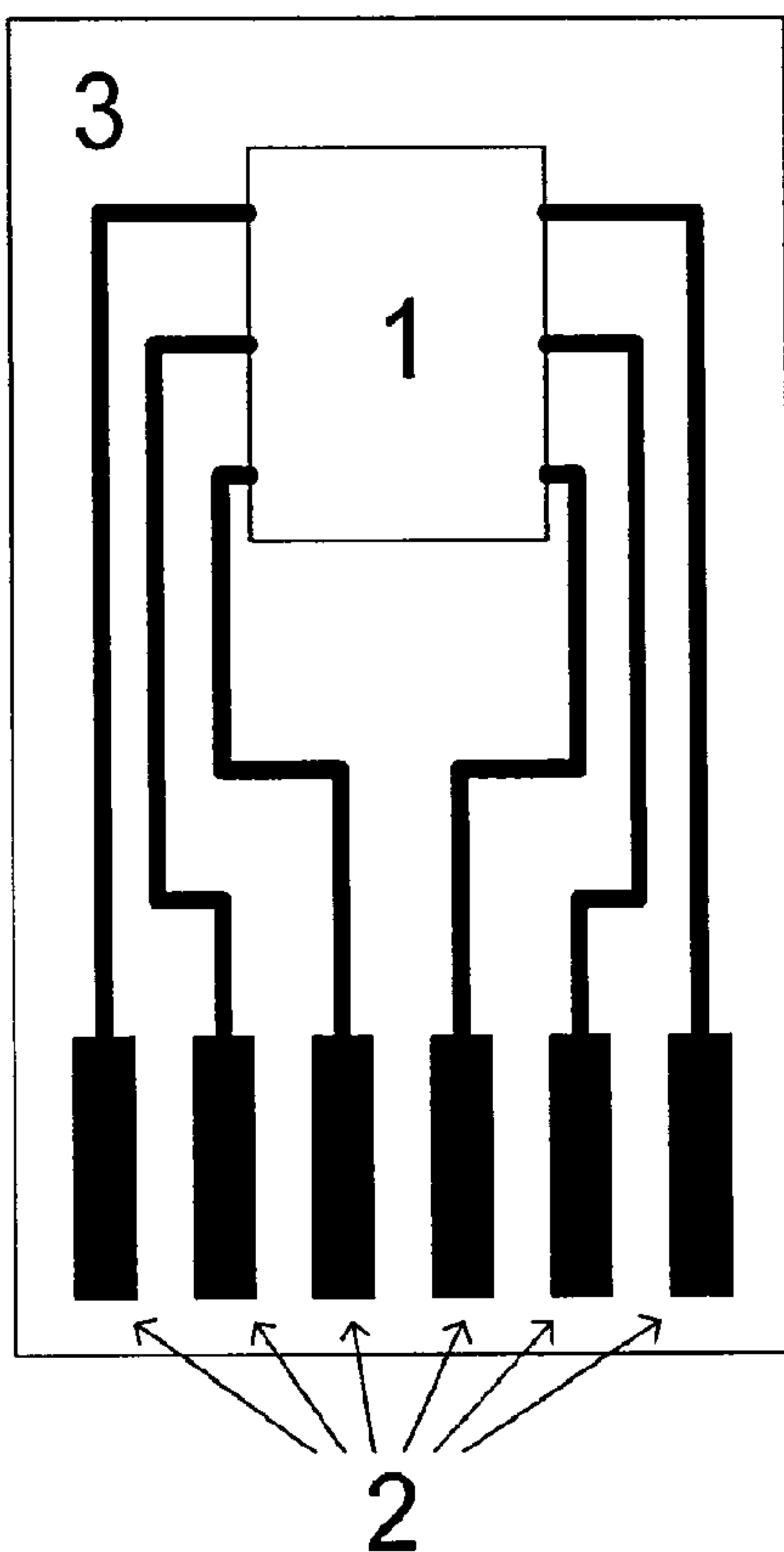


FIGURE 1

(57) Abstract: The present invention generally relates to the determination of an analyte concentration (quantitative determination) or whether an analyte threshold level has been passed (qualitative determination) in a biological sample through employment of a disposable analytical microprocessor device. The device can include a batch-specific, self-executable algorithm for the calculation of the analyte concentration.

WO 2009/029827 A1

WO 2009/029827 A1



ZW), Eurasian (AM, AZ, BY, KG, KZ, MD, RU, TJ, TM),
European (AT, BE, BG, CH, CY, CZ, DE, DK, EE, ES, FI,
FR, GB, GR, HR, HU, IE, IS, IT, LT, LU, LV, MC, MT, NL,
NO, PL, PT, RO, SE, SI, SK, TR), OAPI (BF, BJ, CF, CG,
CI, CM, GA, GN, GQ, GW, ML, MR, NE, SN, TD, TG).

Published:

— *with international search report*

DISPOSABLE ANALYTICAL MICROPROCESSOR DEVICE

RELATED APPLICATION

[0001] This application claims priority to U.S. Provisional Patent Application Serial No. 60/967,291 filed September 1, 2007.

BACKGROUND

[0002] The quantitative and qualitative determination of an analyte in a biological sample can be done using a variety of physical and chemical analytical devices. These devices typically include, for example, a receptacle, port, or the like, for receiving test media; equipment for sensing test results (a sensing meter); and an algorithm used for analysis of test results. The quantitative and/or qualitative determination of most analytes requires the presence of a recognition element, which recognizes and interacts with the analyte. After the initial recognition step (which in some cases can include, for example, a chemical reaction, a biological reaction, or the like), this reaction event is translated by a sensing meter into a physically measurable signal. The signal can thereafter be correlated to the amount of analyte in the biological sample through the use of the algorithm.

[0003] A disposable consumable, when exposed to a certain analyte concentration, outputs a concentration-dependent signal indicative of manifestations of a chemical or physical reaction in the disposable consumable. Thus, a large number of disposable consumables must be manufactured and delivered to various places in the world. The reproducibility of each individual batch of disposable consumables affects the quantitative and qualitative determinations. In many situations, including, for example, point-of-care applications involving analyte detection, a sufficient performance must be guaranteed. This can be accomplished by employing calibration data that are specific for each manufactured batch of the disposable consumables. Such calibration data have been, according to references, manually or automatically inserted into the analytical device where the analytical device uses a pre-determined, non-adjustable algorithm, and/or, a pre-determined adjustable

algorithm, which can partially be upgraded with new batch specific computer code.

BACKGROUND ART

[0004] U.S. Patent No. 5,366,609 to White et al., describes a blood glucose and cholesterol meter for use with disposable sample strips, with an insertable pluggable memory key containing a plurality of stored parameter values and procedure routines. The insertable pluggable memory key does not provide a new, batch-specific, self-executable algorithm.

[0005] U.S. Patent No. 5,053,199 to Keiser et al., describes a biosensing meter for sample strips employing sensing or reflectance techniques for detection of analytes in blood samples. A removable memory-based chip enables batch-specific parameters to be automatically loaded from the Read Only Memory (ROM) to the meter. The removable memory does not contain any algorithms.

[0006] U.S. Patent No. 4,975,647 to Downer et al., describes an analytical machine such as a chromatography system with a pluggable memory module that employs consumable fluid reagents. The module contains parameters such as timing of calibration operations, fluid container information, and concentration of fluids. The information is used to handle calibration and operation of the machine. In one example of the analytical machine, the pluggable memory module contains variables such as a conventional two-byte cyclic redundancy check (CRC) word for error management. The removable memory does not contain any self-executable algorithms.

[0007] The references above fail to address problems such as low sensing meter adaptability to changes such as, for example, new analytes, improved protocols, and the like, safe transfer of data between the sensing meter and pluggable memories, and protection from unauthorized access to the batch-specific parameters values and other information transferred to the sensing meter from the pluggable memories, or low protection level to lock the sensing meter operation if unauthorized pluggable memories are used.

SUMMARY

[0008] Among the various embodiments of the invention is the provision of a disposable analytical microprocessor device capable of reversible engagement with a sensing meter, with the disposable analytical microprocessor device capable of bidirectional transfer of data with the sensing meter. Embodiments of the device also include stored batch-specific parameter values of disposable consumables, a microprocessor; and at least one self-executable algorithm able to calculate an analyte concentration value using data received from the sensing meter in combination with said stored batch-specific data. The device can then transfer the value to the sensing meter.

[0009] In some embodiments, the device includes a one-chip microcomputer which contains a microprocessor. In some embodiments, the reversible engagement capability enables serial and or parallel, or a combination thereof, bidirectional transfer of said data. In some embodiments, the reversible engagement capability provides electrical connectivity and further provides the microprocessor with a clock pulse from an oscillator in the sensing meter.

[0010] In some embodiments of the invention the reversible engagement capability can include an optical connection, and enables bidirectional transfer of data. In some embodiments the self-executable algorithm is based on a reference table conversion, or on a mathematical function approximation wherein the function is a linear function, or a polynomial function. In some embodiments, the self-executable algorithm is based on a logarithmic function, or an exponential function, or a trigonometric function

[0011] In some embodiments, stored batch-specific parameter values or the self-executable algorithm are stored in an internal memory of a one-chip microcomputer or in a separate RAM, ROM, EPROM, EEPROM based memory chip in the device.

[0012] In some embodiments of the invention the stored batch-specific parameter values contain information about specific analyte calculation performance of a batch of disposable consumables, for example mathematical approximation formulas, encryption keys, analyte name in ASCII-code, the production batch number, the batch production date, the batch expiration date,

number of measurements allowed, analyte identification data, the dates when each individual disposable consumable was used, the remaining number of disposable consumables in the end-user package, the individual identification number of said sensing meter used, the individual identification of the person operating the sensing meter, measuring and/or timing protocols, high-low alarm level analyte concentration values, or any combination thereof.

[0013] In some embodiments of the invention the stored parameter values can include an encrypted key for secure data transfer between said microprocessor and the sensing meter. Some embodiments can include a battery powered electronic date chip with a real-time clock, and a calendar which provides internal time and date information to said self-executable algorithm.

[0014] In some embodiments of the invention, the self-executable algorithm execution can be disabled by changing from its active operating state to its non-active state operation state when the stored parameter values or the data show that a predetermined number of used disposable consumables has been exceeded, or that the expiration date of the batch has been exceeded, or that the individual identification number of the sensing meter used has been changed, or that the an encrypted key does not correspond to the encrypted key in the sensing meter, or that a measuring procedure error has been reported from the sensing meter.

[0015] Some embodiments of the invention provide a system for determining the concentration of an analyte in a sample, such system including the disposable analytical microprocessor device and a sensing meter.

[0016] In some embodiments of the invention, the sensing meter can include means for measuring magnetic permeability changes in the disposable consumables when exposed to said analyte, and, for outputting signals to the microprocessor indicative of manifestations of a chemical or physical reaction in disposable reagent vials or strips.

[0017] In some embodiments, the sensing meter further includes equipment for measuring optical changes including, for example, absorbance, polarization, fluorescence, electrochemi-luminescence, turbidity, nephelometric, or refractometric, in disposable reagent vials or disposable reagent strips, when

exposed to an analyte, and, for outputting signals to the microprocessor indicative of manifestations of a chemical or physical reaction in the disposable consumables.

[0018] In some embodiments of the invention, the sensing meter can include means for measuring electrochemical changes such as amperometry, polarometry or conductometry in the disposable reagent vials or disposable reagent strips when exposed to said analyte, and, for outputting signals to a microprocessor indicative of manifestations of a chemical or physical reaction in the disposable consumables.

[0019] In some embodiments of the invention, the sensing meter can include means for measuring mass changes in the disposable reagent vials or disposable reagent strips when exposed to an analyte, and, for outputting signals to a microprocessor indicative of manifestations of a chemical or physical reaction in said disposable consumables. In some embodiments of the disclosed subject matter, the sensing meter can also include means for measuring piezoelectric changes or surface plasmon effects in disposable reagent vials or disposable reagent strips when exposed to an analyte, and, for outputting signals to a microprocessor indicative of manifestations of a chemical or physical reaction in the disposable consumables.

[0020] In some embodiments of the disclosed subject matter, the sensing meter can include means for measuring any of the analytes glucose, albumin, hemoglobin (Hb and HbA1C), myoglobin, troponin (I and T), CK-MB, creatinine kinase (CK), d-dimer, very low density lipoprotein (VLDL), β -type natriuretic peptide (BNP and pro BNP), n-terminal prohormone peptide (NT-proBNP), C-reactive protein (hsCRP and CRP), cystatin C, prothrombin, activated partial thromboplastin (APTT), HCG, LH, FSH, PSA, TSH, T3, T4, AFP, CEA, low density lipoprotein (LDL), high density lipoprotein (HDL), triglycerides, cholesterol, antibodies, *Streptococcus A*, *Helicobacter Pylori*, *Salmonella*, *Chlamydia*, *Giardia*, cholera, hepatitis (A, B and C), adenovirus, rotavirus, and the like, or any combination thereof with disposable consumables when exposed to an analyte, and for outputting signals to the processor chip indicative of manifestations of a chemical or physical reaction in the disposable consumables.

[0021] In some embodiments of the disclosed subject matter, the sensing meter can include an electronic date chip containing a real-time clock and a calendar which provides time and date information to the said self-executable algorithm.

[0022] Various embodiments of the disclosed subject matter provide a method for determining an analyte concentration in a biological sample, such methods including applying a biological sample to a disposable consumable, and introducing a disposable consumable to the device.

[0023] Other objects and features will be in part apparent and in part pointed out hereinafter.

BRIEF DESCRIPTION OF THE DRAWINGS

[0024] Those of skill in the art will understand that the drawings, described below, are for illustrative purposes only. The drawings are not intended to limit the scope of the present teachings in any way.

[0025] Figure 1. A plan view of the disposable analytical microprocessor device containing an electrical interface for bidirectional data transfer.

[0026] Figure 2. A plan view of the disposable analytical microprocessor device containing an optical interface for bidirectional data transfer.

[0027] Figure 3. A circuit diagram of a one-chip microcomputer containing batch-specific self-executable algorithm for the calculation of the analyte concentration and equipped with sensing instrument data transfer connections.

[0028] Figure 4. A high level flow diagram which illustrates an algorithm for safe data transfer and a batch-specific quality controlled analyte concentration value calculation.

DETAILED DESCRIPTION

[0029] Analytical devices within the field of the invention are exemplified by, for example, spectrophotometers, polarimeters, fluorescence meters, light reflectance meters, light scattering meters, light absorbance meters, biosensors, chromatography system, amperometric devices, conductometric devices, magnetic permeability meters, and the like.

[0030] Concentration values for a plurality of analytes have been determined using various analytical devices. In the medical field, examples of analytes include, for example: glucose, albumin, hemoglobin (Hb and HbA1C), myoglobin, troponin (I and T), CK-MB, creatinine kinase (CK), d-dimer, very low density lipoprotein (VLDL), β -type natriuretic peptide (BNP and pro BNP), n-terminal prohormone peptide (NT-proBNP), C-reactive protein (hsCRP and CRP), cystatin C, prothrombin, activated partial thromboplastin (APTT), HCG, LH, FSH, PSA, TSH, T3, T4, AFP, CEA, low density lipoprotein (LDL), high density lipoprotein (HDL), triglycerides, cholesterol, antibodies, *Streptococcus A*, *Helicobacter Pylori*, *Salmonella*, *Chlamydia*, *Giardia*, cholera, hepatitis (A, B and C), adenovirus, rotavirus, and the like.

[0031] The recognition element is exemplified but not limited to, for example, a peptide, a protein, an enzyme, an antibody, a dry-chemistry reagent, organic, inorganic molecules, and the like.

[0032] The molecular recognition between the recognition element and the analyte can be based on many different types of interactions, such as, for example, electrostatic, hydrophobic, hydrogen bonds, Van der Waals, electrochemical changes, mass changes, optical changes (for example, absorbance, polarization, fluorescence, electrochemi-luminescence, turbidity, and the like), piezoelectric changes, surface plasmon effects, temperature, changes of the magnetic permeability, and the like.

[0033] Analytical devices based on the use of disposable consumables are used in many locations such as, for example, hospitals, hospital wards or departments, emergency rooms, ambulances, primary care, primary care health centers, community health centers, doctors' or physicians' offices, rehabilitation centers, elderly care facilities, other point-of-care locations, private homes, field-

use locations, companies, industrial laboratories, universities, governmental institutes and agencies, and the like. Analytical devices can be used for various purposes such as, for example, clinical chemistry applications, point-of-care diagnostics and treatment applications, patient testing, employee testing, athletic testing, self-testing, mass screening, veterinary applications, agriculture applications, environmental survey applications, automated analytical robots for laboratories applications, medical device applications, military applications, regulatory applications, quality control applications, and the like.

[0034] Embodiments of the invention provide to a sensing meter a high degree of adaptability, as the meter can use for each batch a completely new external self-executable algorithm. The algorithm can contain, for example, stored batch-specific parameter values, mathematical approximation formulas, encryption keys, an analyte name in ASCII-code, batch expiration dates, a limit on the number of measurements allowed, analyte-identification data, measuring and/or timing protocols, high and/or low analyte concentration limits, and the like. Further, embodiments of the invention can provide completely new protocols for analyzing new analytes without the need for redesign, replacement and/or reprogramming of the sensing meter.

[0035] An additional advantage of embodiments of the invention is that the self-executable algorithm of the disposable analytical microprocessor device offers a very high degree of security against unauthorized access as it performs an internal calculation of the analyte concentration. None of the stored batch-specific parameter values are sent to the sensing meter, and thus they are not susceptible to unauthorized access. Furthermore, the disclosed device can internally activate itself and operate for a pre-determined period or pre-determined number of tests, after which the sensing meter will not have access to new analyte calculations and is effectively locked from operation.

[0036] An additional advantage of embodiments of the invention is providing a sensing meter with a disposable analytical microprocessor device containing an encryption key which ensures better quality control, better security control, and better regulatory control over the results obtained, as well as lower risk for unauthorized reversed engineering. This is especially significant when

embodiments of the invention are used with sensing meters for medical applications, such as hospital laboratory testing and point-of-care testing.

[0037] An additional advantage of the disclosed subject matter is that the sensing meter can be made more flexible and adaptable to completely new analytes, as it can use the stored analyte name in ASCII-code in some embodiments of the invention to present the correct analyte name on the sensing instrument display. Thus, completely new analyte identifications can be added to a sensing meter located at the end-user without the need to upgrade the sensing meter.

[0038] An additional advantage of the disclosed subject matter is that the sensing meter can be less complex and less expensive, as it does not require its own algorithm, which reduces the number of electrical components in the sensing meter.

[0039] Accordingly, it is an object of embodiments of the invention to provide a sensing meter with a disposable analytical microprocessor device containing a batch specific self-executable algorithm for the calculation of the analyte concentration.

[0040] Embodiments of the invention include a disposable analytical microprocessor device containing at least one batch-specific self-executable algorithm for the qualitative or quantitative determination of analytes in a biological sample, employing disposable consumables. Embodiments of the invention can attach to a sensing meter, and enables the sensing meter to use an external self-executable algorithm which can contain stored batch-specific parameter values such as mathematical approximation formulas. Furthermore, additional parameters such as, for example, encryption keys, the production batch number, the batch production date, the batch expiration date, number of measurements allowed, analyte identification data, and the like, can also be included. Date of use for each individual disposable consumable, the remaining number of disposable consumables in the end-user package, the individual identification number of said sensing meter used, the individual identification of the person operating said sensing meter, measuring/timing protocols, high-low alarm level analyte concentration values, and the like, can all be included,

without the need for redesign, replacement and/or reprogramming of the sensing meter itself. The delivery of a new algorithm with each batch of the disposable consumables introduces flexibility to continuously improve the performance of the quantitative and qualitative determinations.

[0041] Referring now to FIGURE 1, in some embodiments of the disclosed subject matter the disposable analytical microprocessor device includes a one-chip microcomputer 1 which contains a batch specific self-executable algorithm for the calculation of the analyte concentration, external sensing meter electrical connectors 2 for power supply feeding of the one-chip microcomputer 1 and for electrical bidirectional communication enabling serial or parallel data transfer between the one-chip microcomputer 1 and the attached external sensing meter. The one-chip microcomputer 1 and the external sensing meter electrical connectors 2 are attached to a standard printed circuit board (PCB) 3.

[0042] Referring now to FIGURE 2, in some embodiments of the disclosed subject matter the disposable analytical microprocessor device includes a one-chip microcomputer 1 which contains a batch specific self-executable algorithm for the calculation of the analyte concentration, external sensing meter electrical connectors 2 for power supply feeding of the one-chip microcomputer 1, data sending optical transmitter 4 exemplified by a standard light-emitting diode (laser, visual light, UV or IR) for optical unidirectional communication enabling serial data transfer from the one-chip microcomputer 1 to the attached external sensing meter, data receiving optical device 5 exemplified by a standard photo transistor for optical unidirectional communication enabling serial data transfer to the one-chip microcomputer 1 from the attached external sensing meter. The one-chip microcomputer 1, the external sensing meter electrical connectors 2, data sending optical transmitter 4, and the data receiving optical device 5 are attached to a standard printed circuit board (PCB) 3.

[0043] Referring now to FIGURE 3, a schematic is shown of circuitry within some embodiments of the disclosed subject matter of the disposable analytical microprocessor device, and illustrates a one-chip microcomputer 1 exemplified by the PIC10F202 (from Microchip), a + 5 Volt power supply 6, a

ground connection (GND) 7, output pin for sending serial data 9, input pin for receiving serial data 8, output error pin 10 for sending error message to the sensing meter, and an input error pin 11 for receiving error message from the sensing meter.

[0044] A batch specific self-executable algorithm programmed in the one-chip microcomputer 1 is shown in FIGURE 4. The algorithm starts automatically when the disposable analytical microprocessor device is connected into the sensing meter and thereby it is provided the + 5 Volt power supply 6 and the ground connection 7. After this power-on start, the algorithm checks 12 if it has been permanently locked during previous execution. If the algorithm has been permanently locked it will not be able to continue executing processes 13-22. If the algorithm has not been permanently locked it will proceed and load 13 the instrument identification (ID) and the encryption key sent from the sensing instrument. If no key is sent, the algorithm will continue waiting for a key. If an encryption key has been received, the algorithm proceeds to verify the key 14 by controlling if the received encryption key corresponds to a pre-stored encryption key in the one-chip microcomputer 1. If the wrong encryption key is sent, the algorithm will permanently lock 15 and return to start.

[0045] If the correct encryption key is sent, the algorithm will proceed to send 16 an analyte identification number and information about how many remaining tests that the disposable analytical microprocessor device will allow the end-user to perform to the sensing meter. Thereafter, the algorithm checks if the number of remaining tests is less than one. If the number of remaining tests is less than one, the algorithm will return to execute process 16 and the sensing instrument will continue inform the end-user that zero tests remain. If the number of remaining tests is equal or more than one, the algorithm will proceed to process 18 and wait for time-date and measuring value data received from the sensing instrument.

[0046] After time-date and measuring data have been received, the algorithm will proceed to process 19 and wait for instrument error data received from the sensing meter. Thereafter, the algorithm will check 20 if any errors have been detected. If the time-date data exceeds the one-chip microcomputer

1 batch specific pre-stored expire time-date data, then, the algorithm will return to execute process 16 and the sensing instrument will inform the end-user that zero tests remain and that the expiration date has been exceeded. If the instrument error data received confirm instrument errors 20, then, the algorithm will return to execute process 16 and the sensing instrument will inform the end-user about tests remaining and that an instrument error has occurred.

[0047] If during process 20 no error has been detected, the algorithm will proceed to calculate 21 the analyte concentration (y) using the formula $y = kx + m$, where x is the received measuring data obtained from the sense mean in the sensing instrument, and k is a one-chip microcomputer 1 batch specific pre-stored slope constant, and m is a one-chip microcomputer 1 batch specific pre-stored intercept constant. Process 21 will also reduce the number of remaining tests by one. The algorithm has upon first time execution 50 as the initial number of remaining tests. Thereafter, the algorithm will proceed to process 22 and send the calculated analyte concentration data back to the sensing instrument.

[0048] After process 22 the algorithm will return to process 16 which will enable the sensing instrument to display the analyte concentration data and the number of remaining tests to the end-user. The algorithm will then be available to process the next measurement.

[0049] It should be understood that the foregoing description is only illustrative of the disclosed subject matter. Different variations, alternatives and modifications can be developed by those skilled in the art without departing from the disclosed subject matter.

[0050] While the disclosed subject matter has been described as able to calculate the concentration of a general analyte, some embodiments of the disclosed subject matter can employ chemistries to make other analyte determinations. Such chemistries includes measuring any, for example, of the analytes glucose, albumin, hemoglobin (Hb and HbA1C), myoglobin, troponin (I and T), CK-MB, creatinine kinase (CK), d-dimer, very low density lipoprotein (VLDL), β -type natriuretic peptide (BNP and pro BNP), n-terminal prohormone peptide (NT-proBNP), C-reactive protein (hsCRP and CRP), cystatin C,

prothrombin, activated partial thromboplastin (APTT), HCG, LH, FSH, PSA, TSH, T3, T4, AFP, CEA, low density lipoprotein (LDL), high density lipoprotein (HDL), triglycerides, cholesterol, antibodies, *Streptococcus A*, *Helicobacter Pylori*, *Salmonella*, *Chlamydia*, *Giardia*, cholera, hepatitis (A, B and C), adenovirus, rotavirus, and the like.

[0051] While the disclosed subject matter has been described as using an algorithm that calculates the analyte concentration (y) using the formula $y = kx + m$, where x is the received measuring data obtained from the sense mean in the sensing instrument, and k is a stored batch specific slope constant, and m is a stored batch specific intercept constant value, some embodiments of the invention can use other mathematical formulas including:

$$[0052] \quad y = k_1 x^2 + k_2 x + m_1,$$

$$[0053] \quad y = k_1 x^3 + k_2 x^2 + k_1 x + m_1,$$

$$[0054] \quad y = k_1 \ln x + m_1$$

$$[0055] \quad y = k_1 e^x + m_1$$

$$[0056] \quad y = k_1 \log x + m_1$$

$$[0057] \quad y = k_1 10^x + m_1$$

$$[0058] \quad y = k_1 \sin x + m_1$$

$$[0059] \quad y = k_1 \cos x + m_1$$

$$[0060] \quad y = k_1 \tan x + m_1$$

[0061] where k_{1-2} and m_1 represent stored batch specific parameter values. It is also possible to replace the formula with reference tables which are used to convert received measuring data obtained from the sense mean in the sensing instrument into an analyte concentration. Alternatively, reference tables can be used in combination with a formula.

[0062] While the disclosed subject matter has been described as using a separate data-sending optical transmitter exemplified by a standard light-emitting diode, and a data-receiving optical device exemplified by a standard photo transistor, some embodiments of the disclosed subject matter can use a single standard light-emitting diode (visual light, UV or IR) for bidirectional data

transfer as it is known that standard light-emitting diodes are light sensitive devices which can convert light data pulses to voltage/current data pulses.

[0063] Furthermore, while the invention has been described as including a one-chip microcomputer such as the PIC10F202, in some embodiments of the invention it is possible to replace the one-chip microcomputer with any one-chip microcomputer including, for example, PIC10F200, PIC10F204, PIC10F206, PIC12C671, PIC12E674, PIC12C508, PIC12C509, PIC12C671, PIC12F629, PIC12F675, PIC12C505, PIC12C54, PIC12C56, PIC16F628, PIC16F676, PIC16F870, M68HC05, M68HC11, M68HC908, P80C31, P80C32, P87C51, P87C52, AT89S51, AT89C51, DS80C320, ST6200, ST6208, ST6215, ST6225, ST7FLITE09, ATtiny15, ATtiny26, ATtiny 2313, SX20AC/DP, SX28AC/SS, MSP430F1121, Z86E0812SSC, or the like.

[0064] While the disclosed subject matter has been described as including a one-chip microcomputer which therefore contains a microprocessor, in some embodiments of the disclosed subject matter the one-chip microcomputer can be replaced with a programmable logic chip exemplified by, for example, MAX II CPLD, Cyclone FPGA, Cyclone II FPGA and the like, or with a microprocessor chip (exemplified by, for example, NTE6809, NTE8080A, MC68882FN16A, Z84C0010PSC, and the like) equipped with an internal memory or external memory chip, or a microprocessor chip equipped with an internal or external oscillator.

[0065] While the disclosed subject matter has been described as including a one-chip microcomputer with program execution clocked by an internal oscillator, some embodiments of the disclosed subject matter can provide a clock pulse from an oscillator in the sensing meter without losing execution control of the self-executed algorithm.

[0066] While the disclosed subject matter has been described to be powered by an electrical connection from the sensing meter, some embodiments of the disclosed subject matter can be powered with, for example, a battery, an inductive element, a light-to-electricity converting element, or the like.

[0067] While the disclosed subject matter has been described as including only a single-chip component, such as a one-chip microcomputer, some embodiments of the disclosed subject matter can further include a plurality of one-chip microcomputers, or, for example, a battery-powered electronic date chip containing a real-time clock, a calendar, or the like, which provides internal time and date information to the said self-executable algorithm.

[0068] Accordingly, the present disclosed subject matter is intended to embrace all such alternatives, modifications and variances which fall within the scope of the appended claims.

[0069] Having described the disclosed subject matter in detail, it will be apparent that modifications, variations, and equivalent embodiments are possible without departing the scope of the disclosed subject matter defined in the appended claims. Furthermore, it should be appreciated that all examples in the present disclosure are provided as non-limiting examples.

THE EMBODIMENTS OF THE INVENTION FOR WHICH AN EXCLUSIVE PROPERTY OR PRIVILEGE IS CLAIMED ARE DEFINED AS FOLLOWS:

1. A disposable analytical microprocessor device for use with a sensing meter and a batch of disposable consumables, said disposable analytical microprocessor device capable of reversible engagement with the sensing meter such that said disposable analytical microprocessor device and said sensing meter are capable of bidirectional transfer of data, and said disposable analytical microprocessor device comprising:
 - a) at least one stored batch-specific disposable consumable parameter value;
 - b) a microprocessor; and
 - c) at least one self-executable algorithm able to calculate an analyte concentration value using data received from the sensing meter in combination with said stored batch-specific disposable consumable parameter value, and transfer said analyte concentration value to said sensing meter.
2. The device of claim 1 wherein said device comprises a one-chip microcomputer which comprises said microprocessor.
3. The device as recited in claim 2 wherein said stored batch specific parameter values or said self-executable algorithm are stored in an internal memory of said one-chip microcomputer or in a separate RAM, ROM, EPROM, or EEPROM-based memory chip in said disposable analytical microprocessor device.
4. The device as recited in any one of claims 1 to 3 wherein said reversible engagement enables serial, parallel, or a combination thereof, bidirectional transfer of said data.
5. The device as recited in any one of claims 1 to 4 wherein said reversible engagement provides electrical connectivity and further provides said microprocessor with a clock pulse from an oscillator in said sensing meter.

6. The device as recited in any one of claims 1 to 5 wherein said reversible engagement is optical and enables serial, parallel, or a combination thereof, bidirectional transfer of said data.
7. The device as recited in any one of claims 1 to 6 wherein said self-executable algorithm is based on a reference table conversion, or on a mathematical function approximation wherein said mathematical function is selected from the group comprised of: a linear function, a polynomial function, a logarithmic function, an exponential function, and a trigonometric function.
8. The device as recited in any one of claims 1 to 7 wherein said stored batch specific parameter values are comprised of information relating to at least one parameter chosen from the group comprised of: specific analyte calculation performance of the batch of disposable consumables, mathematical approximation formulas, encryption keys, analyte name in ASCII-code, a production batch number, a batch production date, a batch expiration date, number of measurements allowed, analyte identification data, the dates when each individual disposable consumable was used, a remaining number of disposable consumables in the batch, an individual identification number of said sensing meter used, an individual identification of a person operating said sensing meter, measuring or timing protocols, and high-low alarm level analyte concentration values.
9. The device as recited in claim 8 wherein said stored disposable consumable parameter values further include an encrypted key for secure data transfer between said microprocessor and said sensing meter.
10. The device as recited in claim 9 wherein said self-executable algorithm is configured to disable execution by changing from its active operating state to its non-active state operation state when a condition selected from the following group is reached; said stored disposable consumable parameter values or said data show that a predetermined number of used disposable consumables has been exceeded; the expiration date of the batch has been exceeded; the individual identification number of said sensing meter used has been

changed; the encrypted key does not correspond to an encrypted key in the sensing meter; and a measuring procedure error has been reported from said sensing meter.

11. The device as recited in any one of claims 1-10 wherein said device further includes a battery powered electronic date chip containing a real-time clock and a calendar which provides internal time and date information to said self-executable algorithm.
12. A system for use with a disposable consumable for quantitative and qualitative determination of analytes in a biological sample, comprised of the device of claim 1 and a sensing meter.
13. The system of claim 12 wherein said sensing meter further includes means for measuring magnetic permeability changes in said disposable consumable when exposed to said analyte, and for outputting signals to said microprocessor indicative of manifestations of a chemical or physical reaction in said disposable consumable.
14. The system as recited in claim 12 or 13 wherein the said sensing meter further includes means for measuring optical changes such as absorbance, polarization, fluorescence, electrochemi-luminescence, turbidity, nephelometric, or refractometric in said disposable consumable when exposed to said analyte, and for outputting signals to said microprocessor indicative of manifestations of a chemical or physical reaction in said disposable consumable.
15. The system as recited in any one of claims 12 to 14 wherein said sensing meter further includes means for measuring electrochemical changes such as in amperometry, polarometry or conductometry in said disposable consumable when exposed to said analyte, and for outputting signals to said microprocessor indicative of manifestations of a chemical or physical reaction in said disposable consumables.
16. The system as recited in any one of claims 12 to 15 wherein said sensing meter further includes means for measuring mass changes in said disposable consumable when

exposed to said analyte, and for outputting signals to said microprocessor indicative of manifestations of a chemical or physical reaction in said disposable consumables.

17. The system as recited in any one of claims 12 to 16 wherein said sensing meter further includes sense means for measuring piezoelectric changes or surface plasmon effects in said disposable consumable when exposed to said analyte, and for outputting signals to said microprocessor indicative of manifestations of a chemical or physical reaction in said disposable consumables.
18. The system as recited in any one of claims 12 to 17 wherein said sensing meter further includes sense means for measuring any of the analytes glucose, albumin, hemoglobin (Hb and HbA1C), myoglobin, troponin (I and T), CK-MB, creatinine kinase (CK), d-dimer, β -type natriuretic peptide (BNP and pro BNP), n-terminal prohormone peptide (NT-proBNP), C-reactive protein (hsCRP and CRP), cystatin C, prothrombin, activated partial thromboplastin (APTT), HCG, LH, FSH, PSA, TSH, T3, T4, AFP, CEA, low density lipoprotein (LDL), High density lipoprotein (HDL), triglycerides, cholesterol, antibodies, Streptococcus A, Helicobacter Pylori, Salmonella, Chlamydia, Giardia, cholera, hepatitis (A, B and C), adenovirus, rotavirus or any combination thereof with said disposable consumables when exposed to said analyte, and for outputting signals to the microprocessor indicative of manifestations of a chemical or physical reaction in said disposable consumable.
19. The system as recited in any one of claims 12 to 18 wherein the said sensing meter further includes an electronic date chip containing a real-time clock and a calendar which provides time and date information to the said self-executable algorithm.
20. A method for determining an analyte concentration in a biological sample, such method comprising;
 - a) applying a biological sample to a disposable consumable; and
 - b) introducing said disposable consumable to the system as recited in any one of claims 12 to 19.

1/4

FIGURE 1

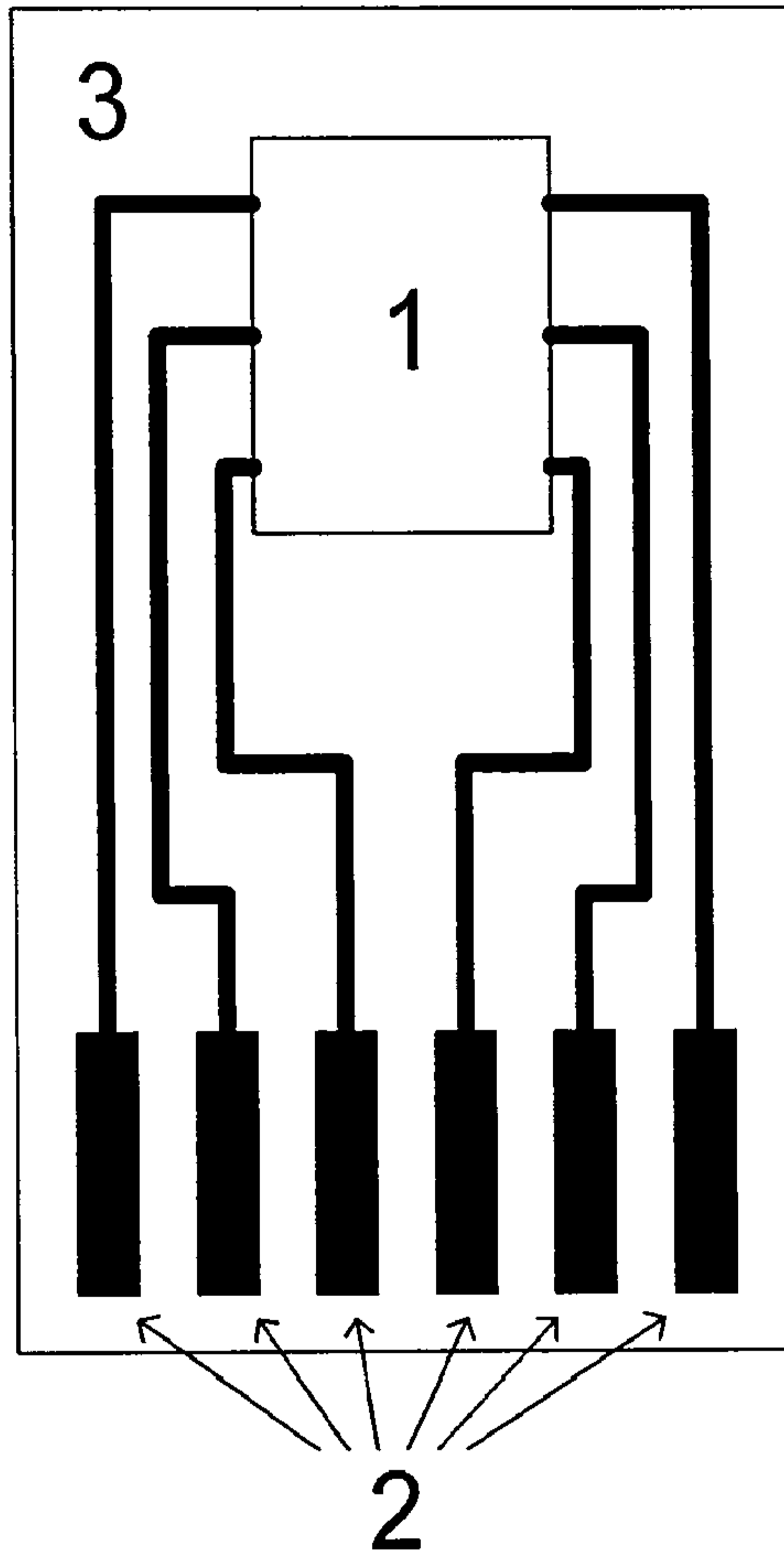


FIGURE 2

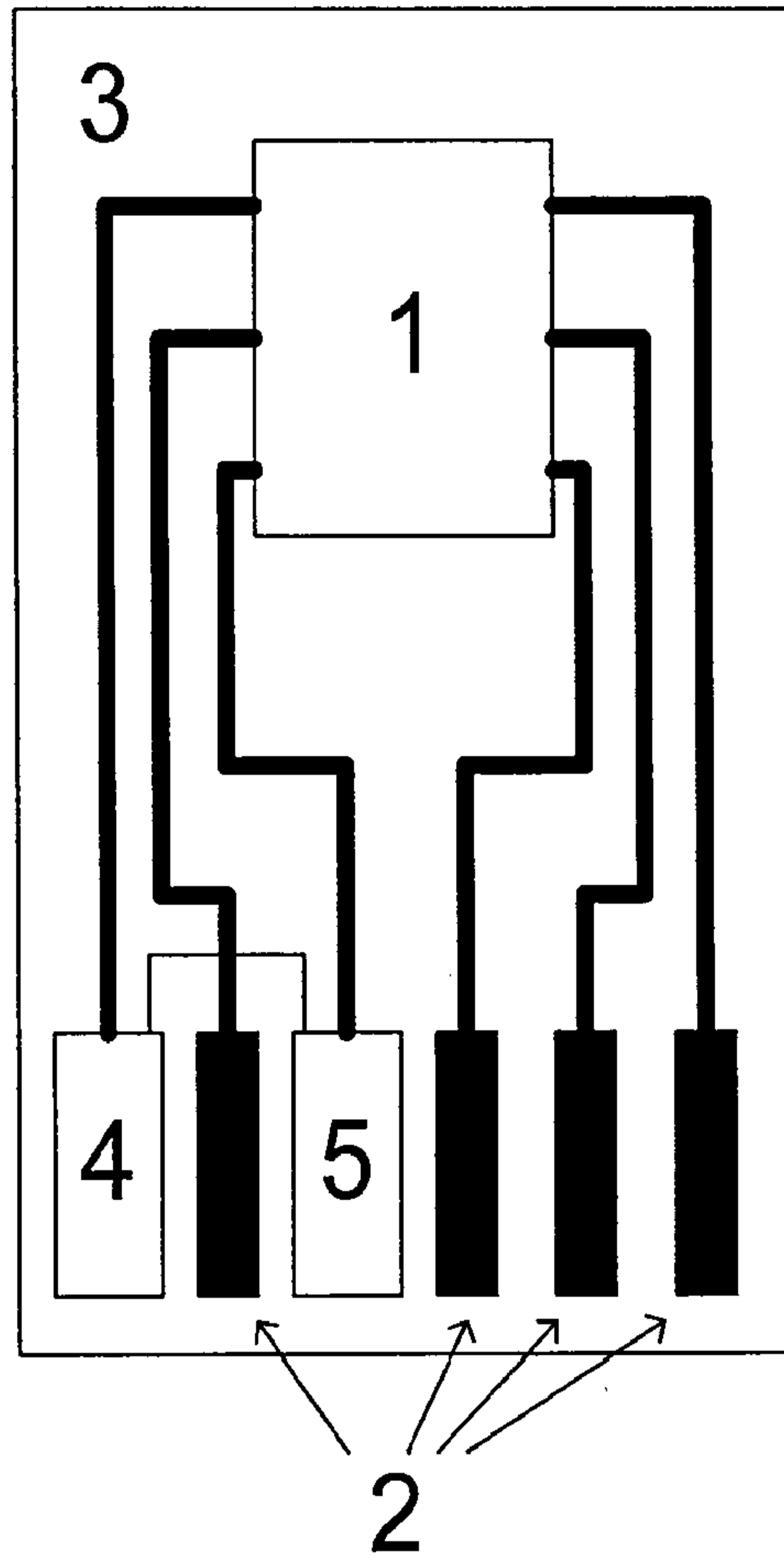


FIGURE 3

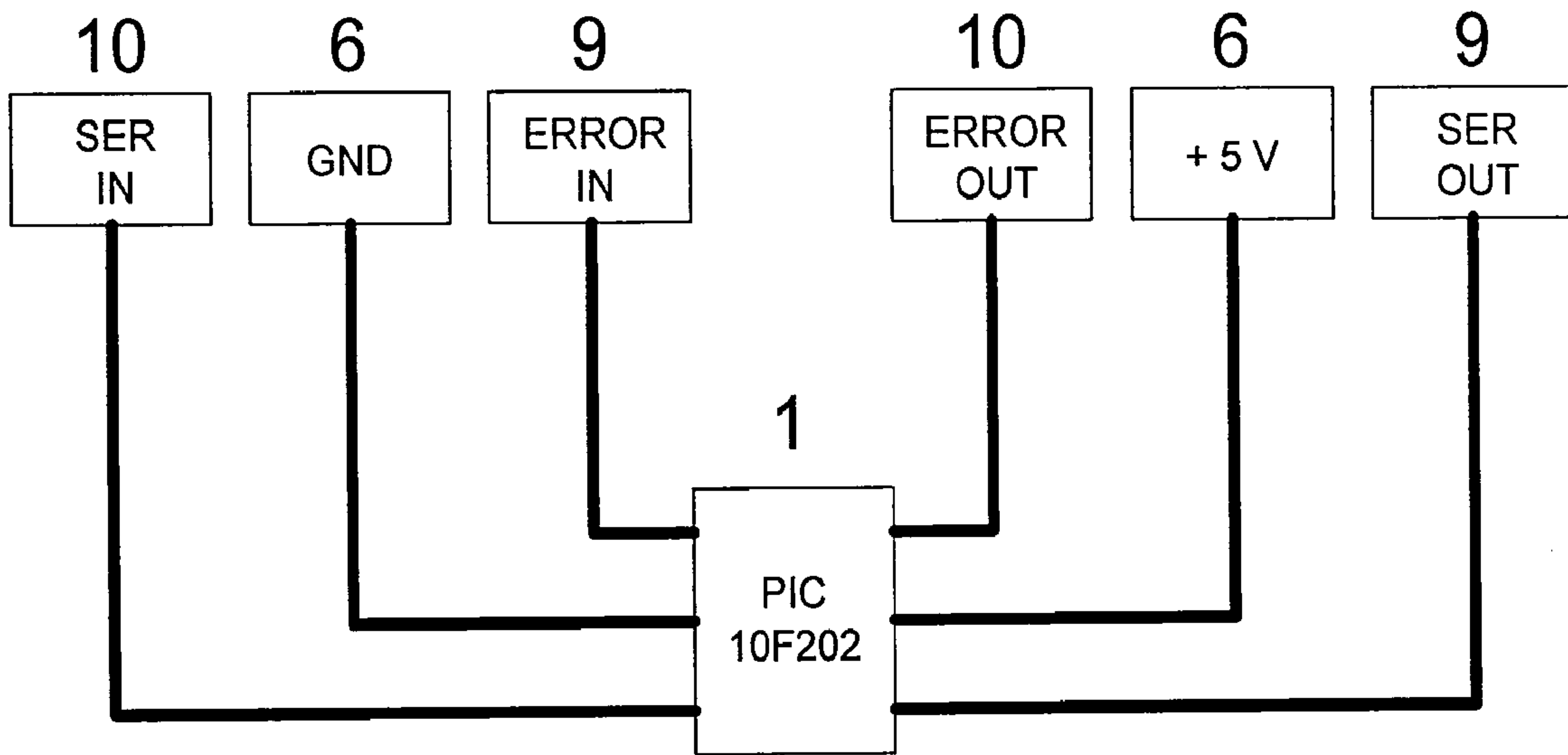


FIGURE 4

