

[54] ISOLATERAL TORSO ARM EXERCISE MACHINE

D. 239,642	4/1976	Clarke	.....	D21/195
D. 284,297	6/1986	Mahnke	.....	D21/195
D. 289,783	5/1987	Pappinen	.....	D21/195
4,456,245	6/1984	Baldwin	.....	272/143

[75] Inventor: Gary A. Jones, Falmouth, Ky.

Primary Examiner—Charles A. Rademaker  
Attorney, Agent, or Firm—Wood, Herron & Evans

[73] Assignee: Hammer Corporation, Cincinnati, Ohio

[\*\*] Term: 14 Years

[57] CLAIM

[21] Appl. No.: 359,932

The ornamental design for an isolateral torso arm exercise machine, as shown and described.

[22] Filed: Jun. 1, 1989

DESCRIPTION

[52] U.S. Cl. .... D21/195

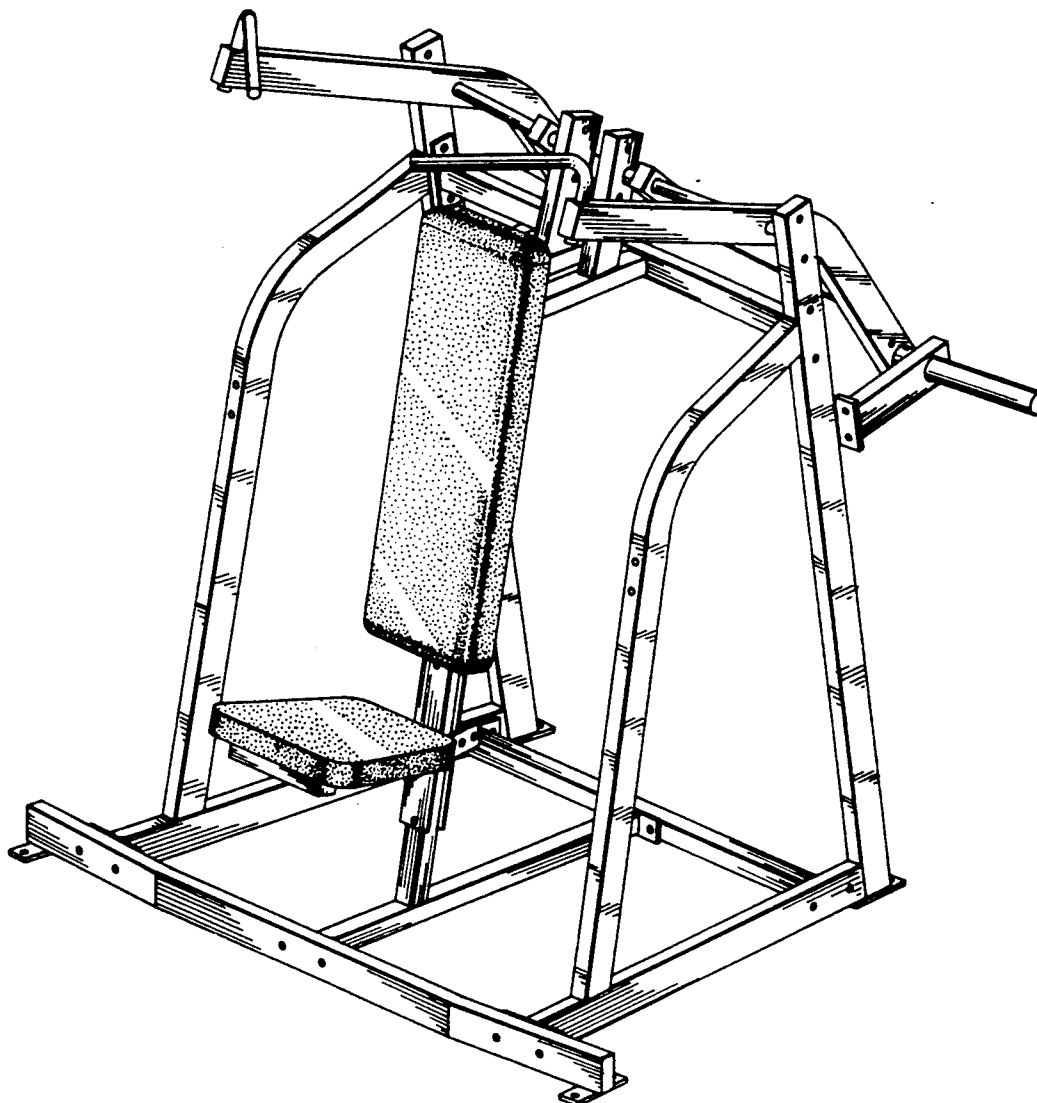
[58] Field of Search ..... D21/191-199;  
272/93, 99, 125, 130, 133, 134, 143, 144, 118

FIG. 1 is perspective view of an isolateral torso arm exercise machine embodying my new design; FIG. 2 is a front elevational view thereof; FIG. 3 is a side elevational view thereof, the opposite side being a mirror image thereof; FIG. 4 is a rear elevational view thereof; FIG. 5 is a top plan view thereof; FIG. 6 is a bottom plan view thereof.

[56] References Cited

U.S. PATENT DOCUMENTS

D. 239,301	3/1976	Clarke	.....	D21/195
D. 239,641	4/1976	Clarke	.....	D21/195



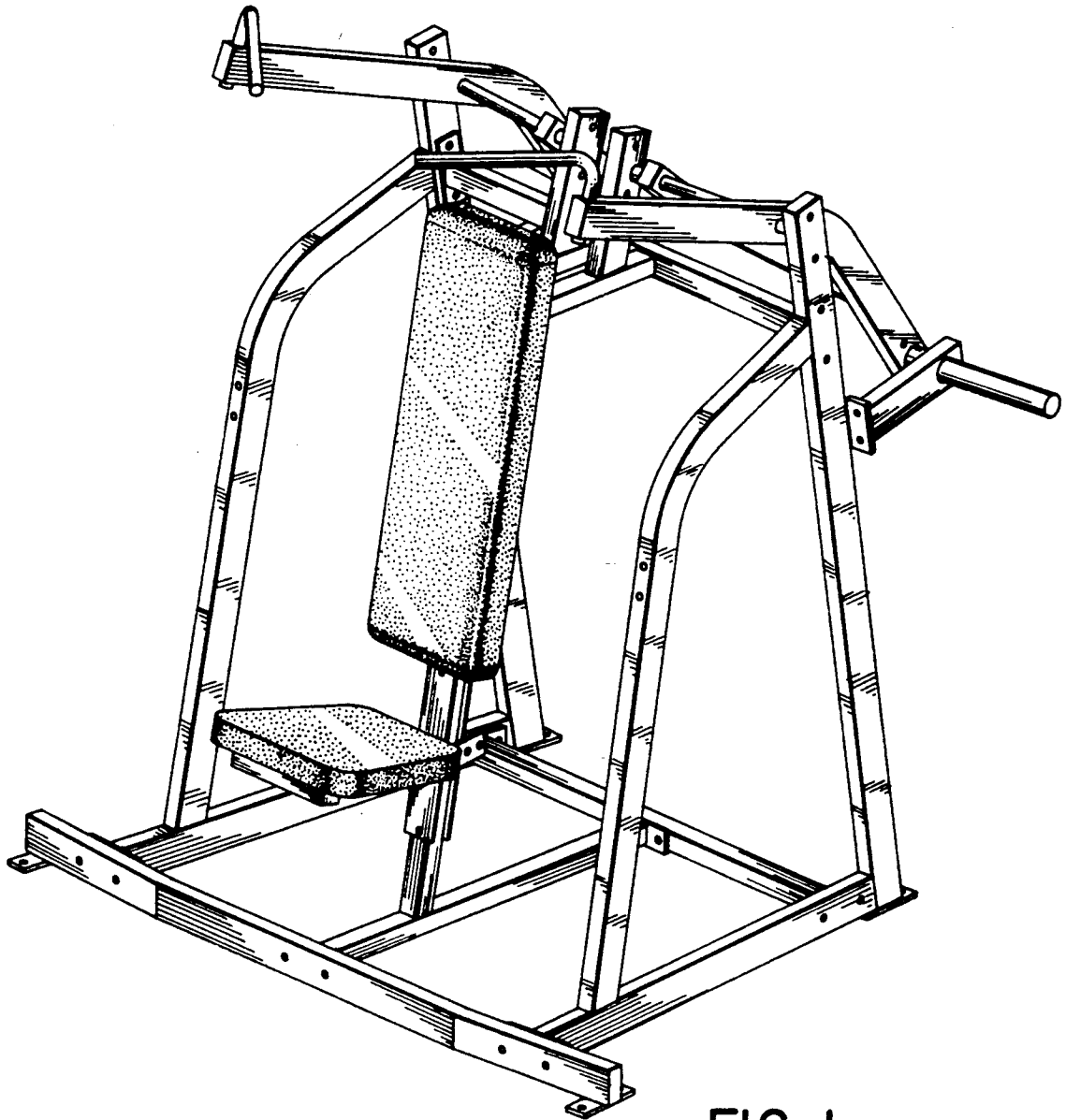


FIG. 1

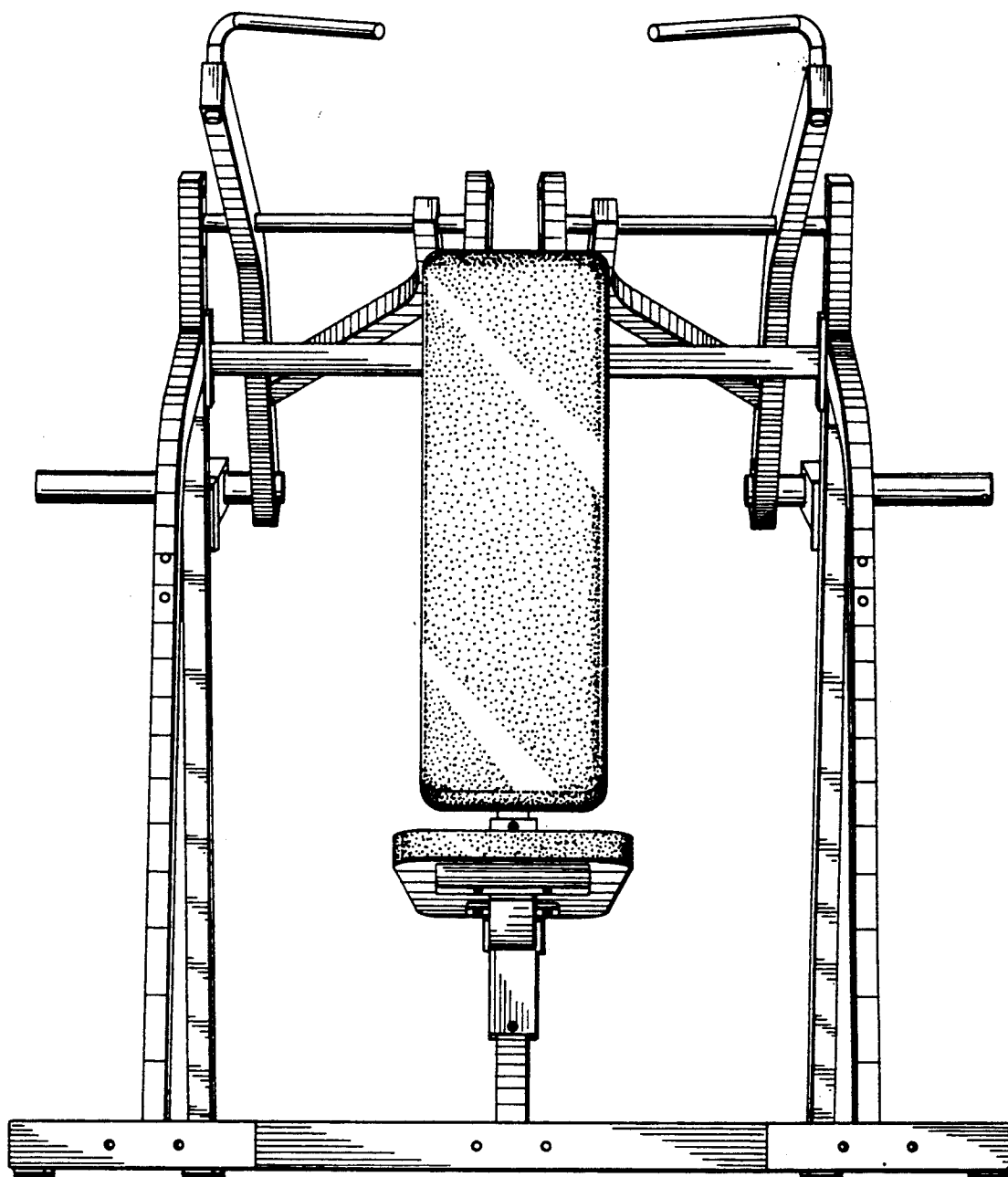


FIG. 2

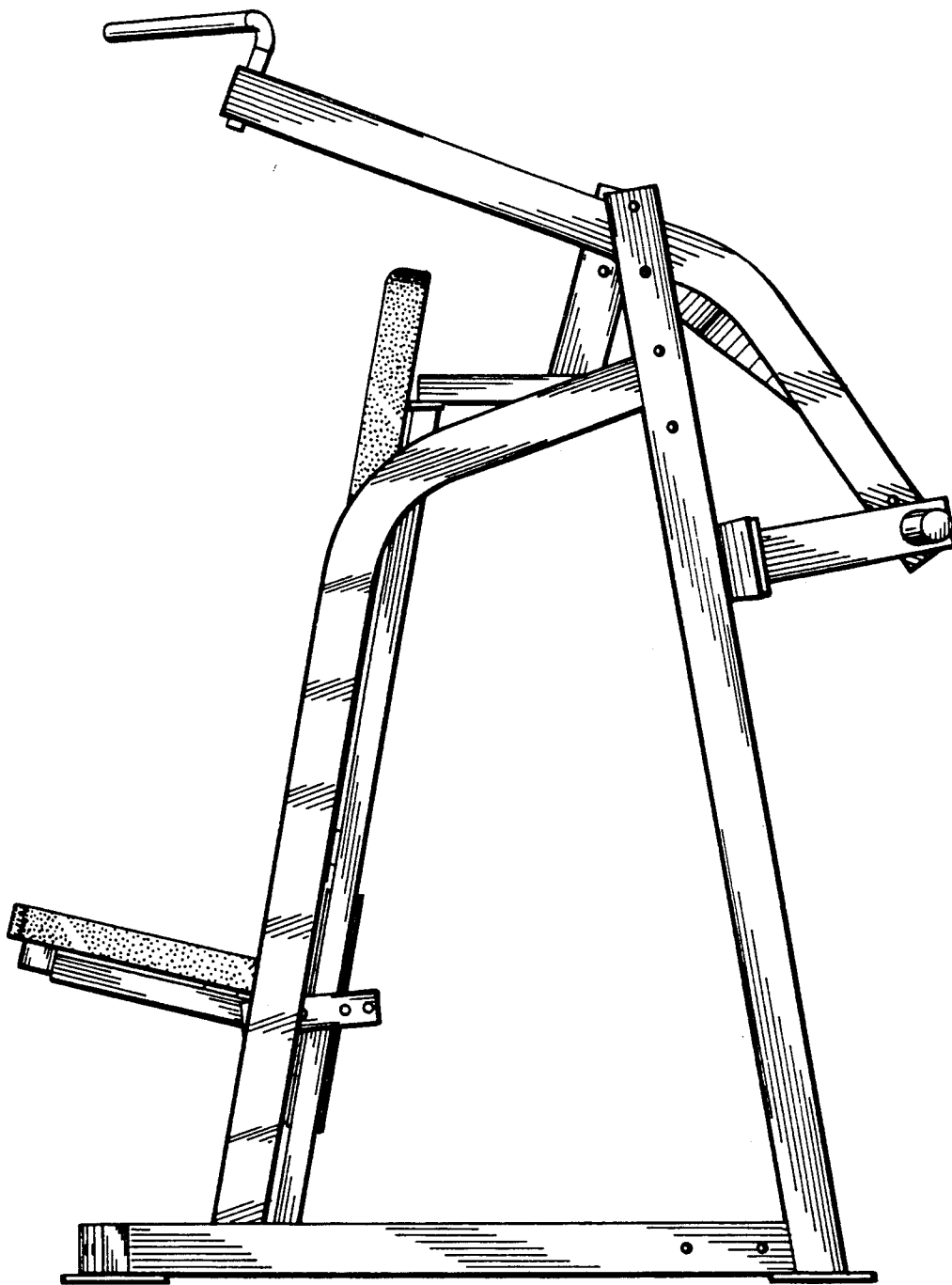


FIG. 3

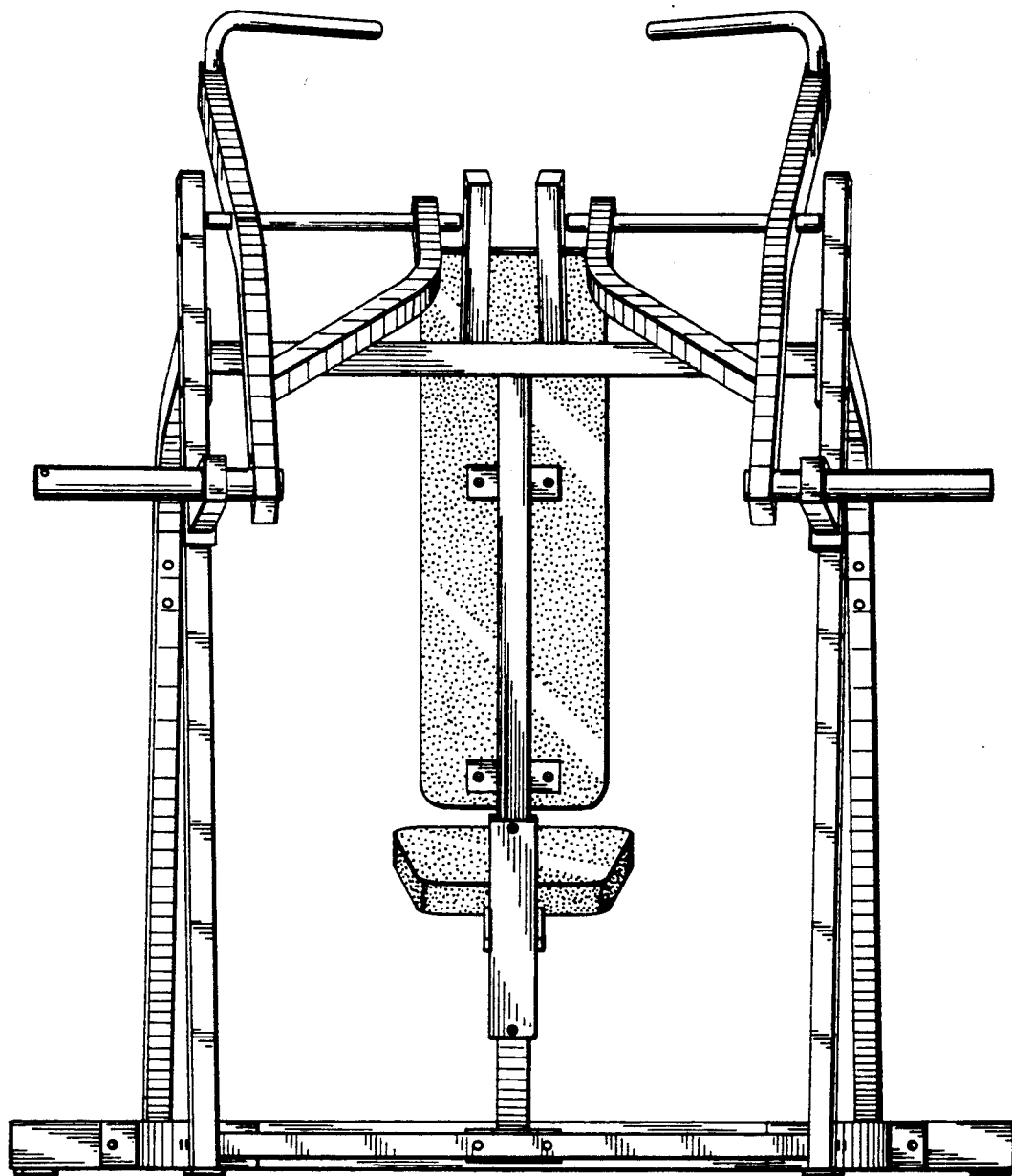


FIG. 4

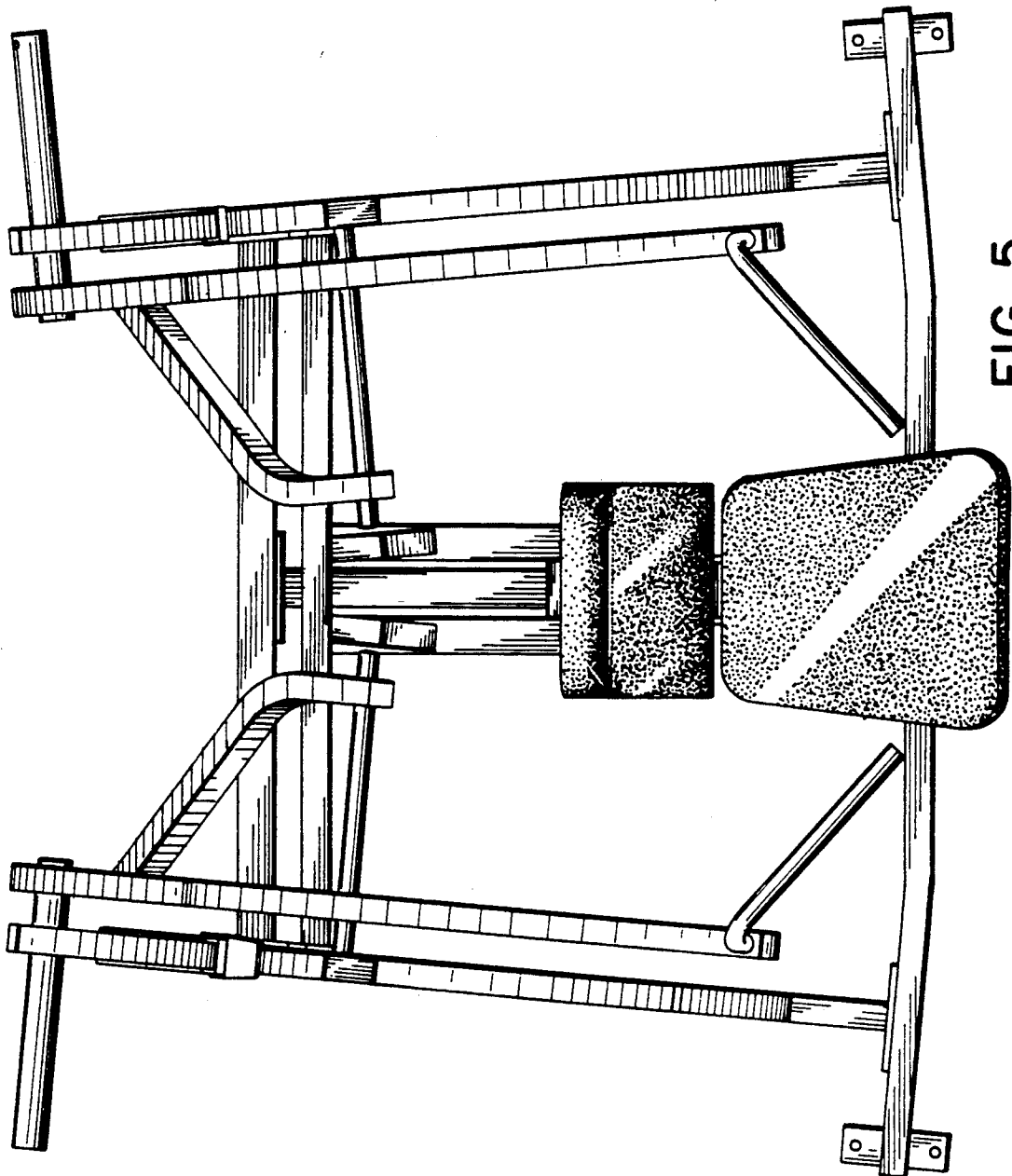


FIG. 5

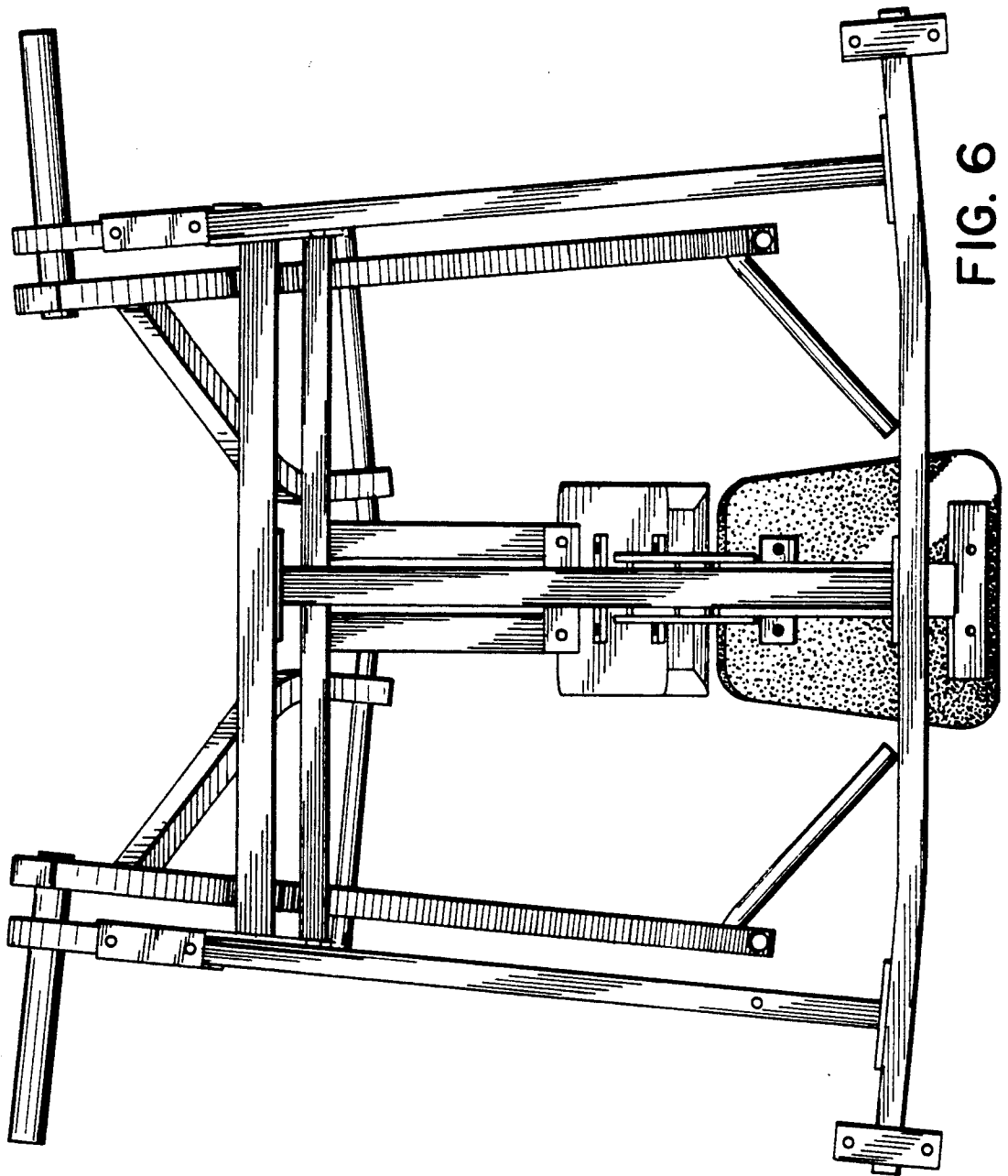


FIG. 6