



(12) **United States Design Patent**
Amirault et al.

(10) **Patent No.:** **US D866,239 S**
(45) **Date of Patent:** **** Nov. 12, 2019**

(54) **CHAFING PAN**
(71) Applicant: **STERNO PRODUCTS, LLC.**, Corona, CA (US)
(72) Inventors: **David Amirault**, Corona, CA (US); **Andrew B. Mendenhall**, Corona, CA (US); **Dennis M. Turner**, Corona, CA (US); **Steven L. Cox**, Corona, CA (US)
(73) Assignee: **Sterno Products, LLC**, Corona, CA (US)
(**) Term: **15 Years**

3,871,357 A 3/1975 Grosso et al.
4,920,873 A * 5/1990 Stevens A47J 27/14
126/246
5,045,672 A * 9/1991 Scott A47J 27/18
126/33
5,117,809 A 6/1992 Scaringe et al.
5,467,697 A * 11/1995 Hunziker A47J 27/10
126/33
5,542,418 A 8/1996 James
5,819,640 A * 10/1998 Cuomo A47J 27/10
99/483
6,289,889 B1 9/2001 Bell et al.
6,415,945 B1 * 7/2002 Zank A47J 27/12
206/499
6,440,509 B1 8/2002 Littlejohn et al.
(Continued)

(21) Appl. No.: **29/664,528**

(22) Filed: **Sep. 26, 2018**

(51) **LOC (12) Cl.** **07-02**

(52) **U.S. Cl.**
USPC **D7/354**

(58) **Field of Classification Search**
USPC D7/323, 354-361, 543, 545, 549, 550.1, D7/553.1-553.8, 554.1-554.4, 555, 584, D7/586; D9/430-433, 455-456, 658, D9/737, 756-762; D34/3
CPC A21B 3/00; A21B 3/13; A21B 3/15; A21B 3/133-3/134; A21B 5/00; A21B 5/02; A47J 27/04; A47J 27/10; A47J 27/12; A47J 27/14; A47J 27/18; A47J 36/022; A47J 36/025; A47J 36/027; A47J 36/24; A47J 36/28; A47J 36/2405; A47J 37/00; A47J 37/04; B65D 1/22; B65D 1/24; B65D 1/34; B65D 1/36; B65D 81/343; B65D 85/36
See application file for complete search history.

(56) **References Cited**

U.S. PATENT DOCUMENTS

3,364,844 A * 1/1968 Felske A47J 27/04
99/331
3,378,333 A 4/1968 Brite

FOREIGN PATENT DOCUMENTS

FR 2659940 A1 9/1991
WO 2007098031 A2 8/2007
WO 2013069832 A1 5/2013

Primary Examiner — Ricky Pham
(74) *Attorney, Agent, or Firm* — Stetina Brunda Garred & Bruker; Lowell Anderson

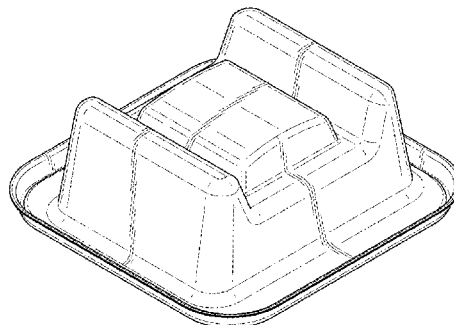
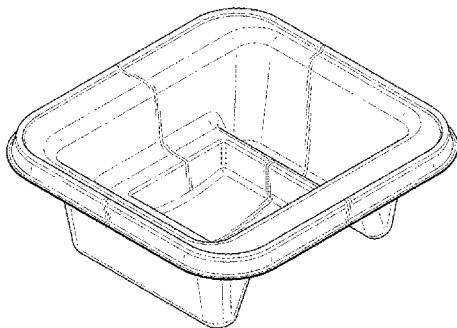
(57) **CLAIM**

The ornamental design for a chafing pan, as shown and described.

DESCRIPTION

FIG. 1 is a top perspective view of the chafing pan of this invention;
FIG. 2 is a bottom perspective view of the chafing pan of FIG. 1;
FIG. 3 is a front view of the chafing pan of FIG. 1, with the back view being a mirror image thereof;
FIG. 4 is a right-side view of the chafing pan of FIG. 1, with the left-side view being a mirror image thereof;
FIG. 5 is a top view of the chafing pan of FIG. 1; and,
FIG. 6 is a bottom view of the chafing pan of FIG. 1.

1 Claim, 3 Drawing Sheets



(56)

References Cited

U.S. PATENT DOCUMENTS

D468,580	S *	1/2003	Ruiseco	A47J 27/10 D7/355
6,530,935	B2	3/2003	Wensel et al.	
7,025,055	B2	4/2006	Scudder et al.	
D548,001	S *	8/2007	Gross	A47J 27/18 D7/355
7,392,907	B2	7/2008	Herbert et al.	
9,016,511	B2	4/2015	Widitora et al.	
9,435,567	B2	9/2016	Ra	
9,731,879	B2	8/2017	Sheldon et al.	
9,851,125	B2	12/2017	Arnold	
D822,931	S *	7/2018	Fisher	D34/3
2003/0192525	A1 *	10/2003	Ruiseco	A47J 36/24 126/33
2007/0044667	A1 *	3/2007	Steinmetz	A47J 36/24 99/483
2015/0017287	A1	1/2015	Sevim	
2015/0136633	A1	5/2015	Sarnoff et al.	
2016/0157676	A1 *	6/2016	Difante	A47J 36/2405 126/33
2017/0326618	A1	11/2017	Sarnoff et al.	
2018/0092493	A1 *	4/2018	Hale	A47J 36/28

* cited by examiner

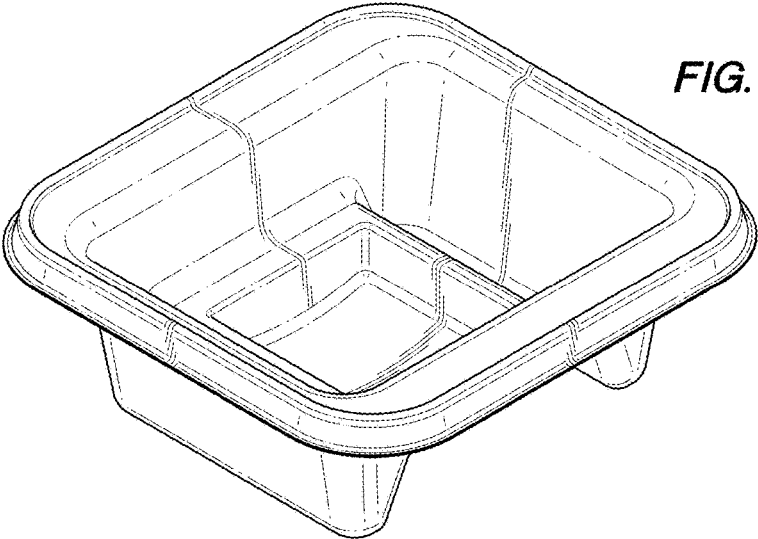


FIG. 1

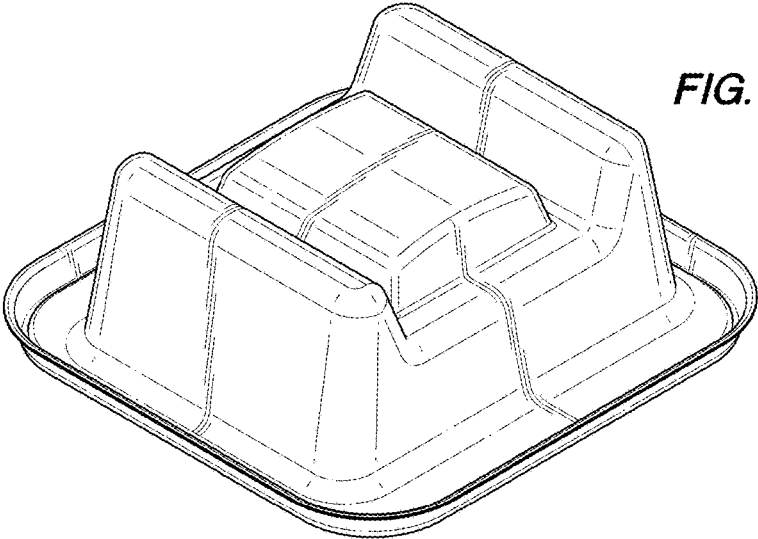


FIG. 2

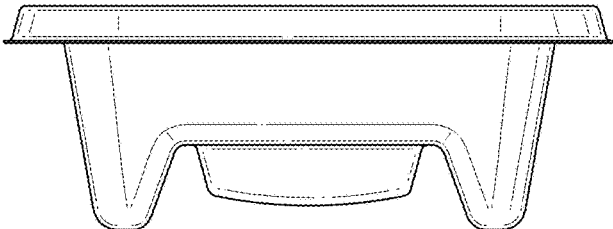


FIG. 3

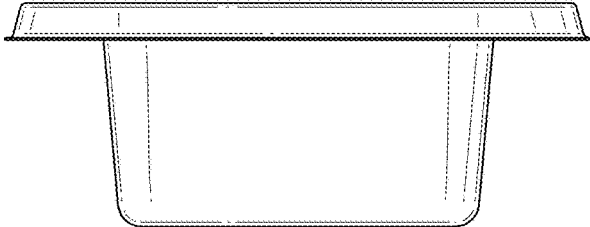


FIG. 4

FIG. 5

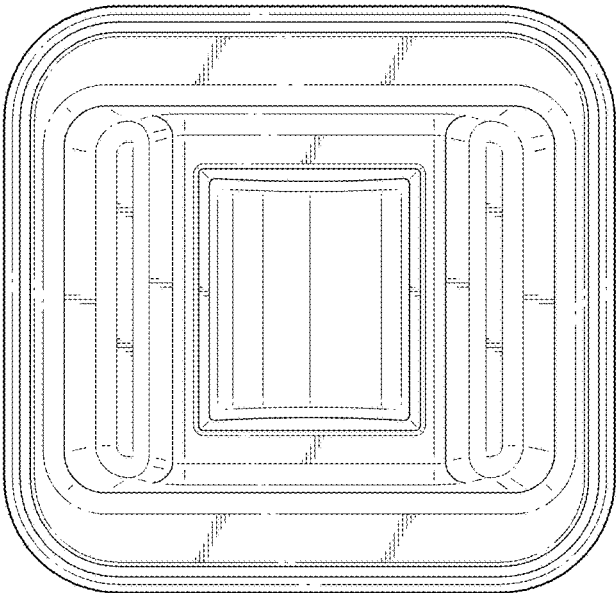


FIG. 6

