



US0D1069163S

(12) **United States Design Patent**  
**Allegoren et al.**

(10) **Patent No.:** **US D1,069,163 S**

(45) **Date of Patent:** **\*\* Apr. 1, 2025**

(54) **REAGENT CARTRIDGE**

OTHER PUBLICATIONS

- (71) Applicants: **Illumina, Inc.**, San Diego, CA (US);  
**Illumina Singapore Pte. Ltd.**,  
Singapore (SG)
- (72) Inventors: **Erik Allegoren**, San Diego, CA (US);  
**Emérico Alberto Brewer**, Chula Vista,  
CA (US); **Robert Nicholas Dean**, San  
Diego, CA (US); **Max Warren Pollock**,  
San Diego, CA (US); **Bashkaran**  
**Subramanian**, Singapore (SG)

Erik Allegoren et al.; "Reagent Cartridge Assembly"; U.S. Appl. No. 29/865,267, filed Jul. 15, 2022.

(Continued)

*Primary Examiner* — Omeed Agilee  
(74) *Attorney, Agent, or Firm* — Heslin Rothenberg  
Farley & Mesiti P.C.

(57) **CLAIM**  
The ornamental design for a reagent cartridge, as shown and described.

**DESCRIPTION**

- (73) Assignees: **Illumina, Inc.**, San Diego, CA (US);  
**Illumina Singapore Pte. Ltd.**,  
Singapore (SG)
- (\*\*) Term: **15 Years**
- (21) Appl. No.: **29/865,272**
- (22) Filed: **Jul. 15, 2022**
- (51) **LOC (15) Cl.** ..... **24-02**
- (52) **U.S. Cl.**  
USPC ..... **D24/224; D24/230**
- (58) **Field of Classification Search**  
USPC ..... D24/216, 217, 219, 220, 224–227, 232,  
D24/233; D9/424, 425, 732, 735, 755,  
(Continued)

FIG. 1 is a top, front right perspective view of a first embodiment of a reagent cartridge illustrating our new design;

FIG. 2 is a top plan view thereof;  
FIG. 3 is a bottom plan view thereof;  
FIG. 4 is a left side elevational view thereof;  
FIG. 5 is a right side elevational view thereof;  
FIG. 6 is a front elevational view thereof;  
FIG. 7 is a rear elevational view thereof;  
FIG. 8 is a top, front left hand perspective view thereof;  
FIG. 9 is a bottom, front left hand perspective view thereof;  
FIG. 10 is a bottom, front right hand perspective view thereof;

FIG. 11 is a top, front right perspective of a second embodiment of a reagent cartridge;  
FIG. 12 is a top plan view thereof;  
FIG. 13 is a bottom plan view thereof;  
FIG. 14 is a left side elevational view thereof;  
FIG. 15 is a right side elevational view thereof;  
FIG. 16 is a front elevational view thereof;  
FIG. 17 is a rear elevational view thereof;  
FIG. 18 is a top, front left hand perspective view thereof;  
FIG. 19 is a bottom, front left hand perspective view thereof;  
FIG. 20 is a bottom, front right hand perspective view thereof;

FIG. 21 is a top, front right exploded perspective view of a third embodiment of a reagent cartridge;  
FIG. 22 is a bottom, front left perspective exploded view thereof;  
FIG. 23 is a top, front left hand perspective view thereof;

(Continued)

(56) **References Cited**

U.S. PATENT DOCUMENTS

- D333,630 S 3/1993 Marks
- D338,965 S \* 8/1993 Glanz ..... D24/227  
(Continued)

FOREIGN PATENT DOCUMENTS

- CN 304787602 S 8/2018
- CN 306330554 2/2021  
(Continued)

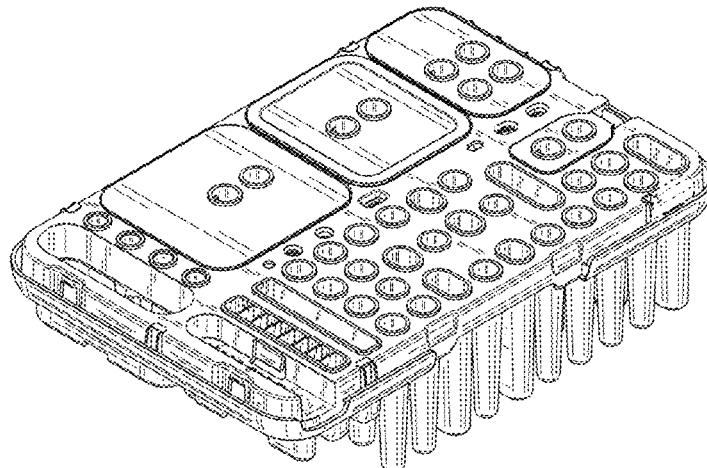


FIG. 24 is a top plan view thereof;  
 FIG. 25 is a bottom plan view thereof;  
 FIG. 26 is a left side elevational view thereof;  
 FIG. 27 is a right side elevational view thereof;  
 FIG. 28 is a front elevational view thereof;  
 FIG. 29 is a rear elevational view thereof; and,  
 FIG. 30 is a bottom, front right hand perspective view thereof.  
 The broken lines shown in the drawings illustrate portions of the reagent cartridge that form no part of the claimed design.

**1 Claim, 24 Drawing Sheets**

(58) **Field of Classification Search**

USPC ..... D9/758; D7/550.1, 553.1-553.5, 554.3;  
 D3/294-295; D18/43, 44  
 CPC ..... A47G 23/06; A16B 50/20; A61B 50/30;  
 A61J 1/00; C07K 1/26; B01L 3/52; B01L  
 7/00  
 See application file for complete search history.

(56) **References Cited**

U.S. PATENT DOCUMENTS

D351,913 S	10/1994	Hieb et al.	
D369,415 S *	4/1996	Boulton	D24/227
D461,554 S *	8/2002	Lafond	D24/227
D639,975 S	6/2011	Doyle et al.	
D729,403 S	5/2015	Hage et al.	
D745,698 S	12/2015	Hage et al.	
D750,272 S	2/2016	Hage et al.	
D752,770 S	3/2016	Kuhn et al.	
D768,870 S	10/2016	Kuhn et al.	
D785,811 S	5/2017	Watts et al.	
D794,817 S	8/2017	Yi et al.	
D794,818 S	8/2017	Yi et al.	
D794,819 S	8/2017	Yi et al.	
D800,336 S	10/2017	Chang et al.	
D800,912 S	10/2017	Uzri et al.	
D808,540 S *	1/2018	Johns	D24/227
D812,243 S *	3/2018	Johns	D24/227
D812,767 S	3/2018	Osmus et al.	
D819,829 S	6/2018	Osmus et al.	

D825,078 S	8/2018	Osmus et al.	
D840,050 S	2/2019	Schulz et al.	
D843,009 S	3/2019	Watts et al.	
D851,275 S	6/2019	Spuhler et al.	
10,343,160 B2	7/2019	Lemoine et al.	
D861,914 S	10/2019	Blake et al.	
D864,411 S	10/2019	Dangelo et al.	
D864,412 S	10/2019	Dangelo et al.	
D865,213 S	10/2019	Dangelo et al.	
D865,214 S	10/2019	Dangelo et al.	
D865,215 S	10/2019	Dangelo et al.	
D875,271 S	2/2020	Ringold et al.	
D877,356 S	3/2020	Clive-Smith et al.	
D895,146 S	9/2020	Osmus et al.	
D902,433 S *	11/2020	Livingston	D24/227
D903,899 S *	12/2020	Self	D24/224
D913,518 S	3/2021	Osmus et al.	
D932,052 S *	9/2021	Zergiebel	D24/227
D942,033 S	1/2022	Osmus et al.	
D949,432 S	4/2022	Osmus et al.	
D952,892 S	5/2022	Osmus et al.	
D953,570 S	5/2022	Uemura et al.	
D970,036 S *	11/2022	Jeffrey-Coker	D24/224
D975,312 S *	1/2023	De Castro	D24/226
D979,093 S *	2/2023	Jeffrey-Coker	D24/226
D981,591 S *	3/2023	Jeffrey-Coker	D24/226
D995,815 S *	8/2023	Knight	B65D 43/020 D24/230

2017/0016060 A1	1/2017	Sabounchi et al.	
2017/0136467 A1 *	5/2017	Johns	G01N 35/04
2017/0209865 A1	7/2017	Carrano et al.	
2018/0117587 A1	5/2018	Lemoine et al.	
2020/0110108 A1	4/2020	Cox-Muranami et al.	
2020/0171502 A1	6/2020	Kumar et al.	
2020/0290037 A1 *	9/2020	Salomon	G01N 35/00

FOREIGN PATENT DOCUMENTS

GB	9006613642-0005	*	7/2019
JP	D1628115 S		4/2019
TW	D191689		7/2018
WO	DM/098061		7/2017

OTHER PUBLICATIONS

Erik Allegoren et al.; "Reagent Cartridge"; U.S. Appl. No. 29/865,269, filed Jul. 15, 2022.

\* cited by examiner

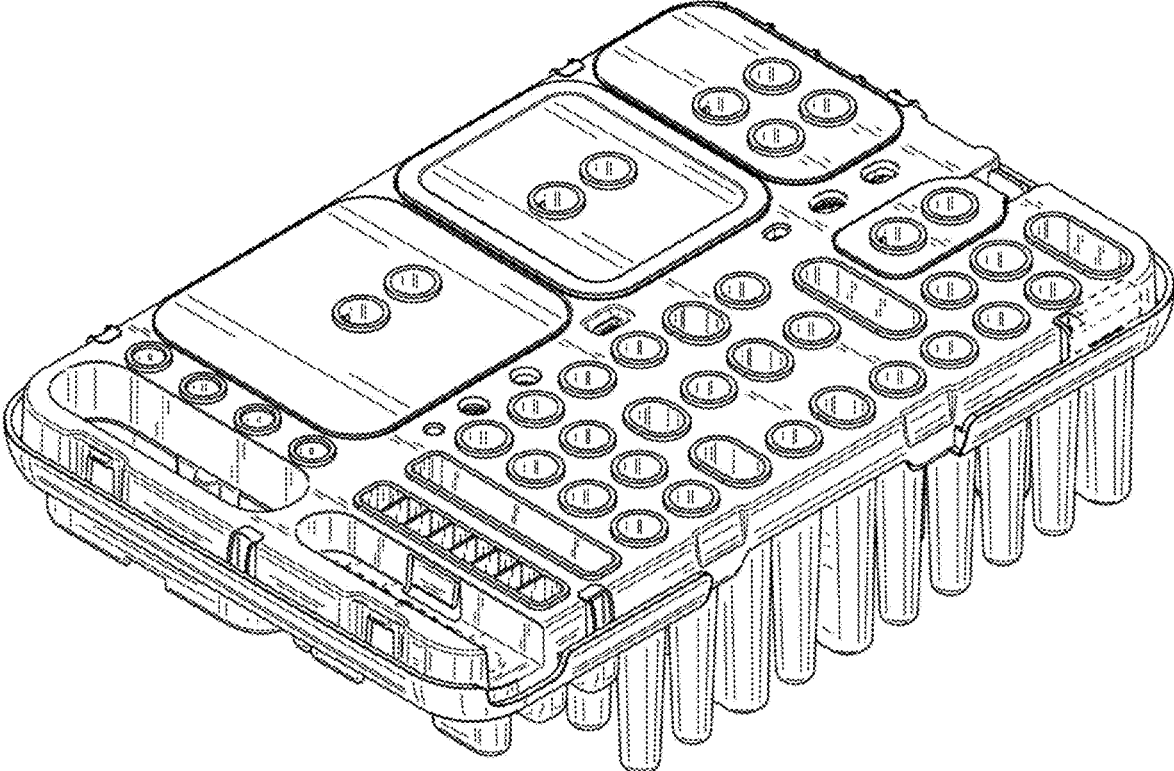


FIG. 1

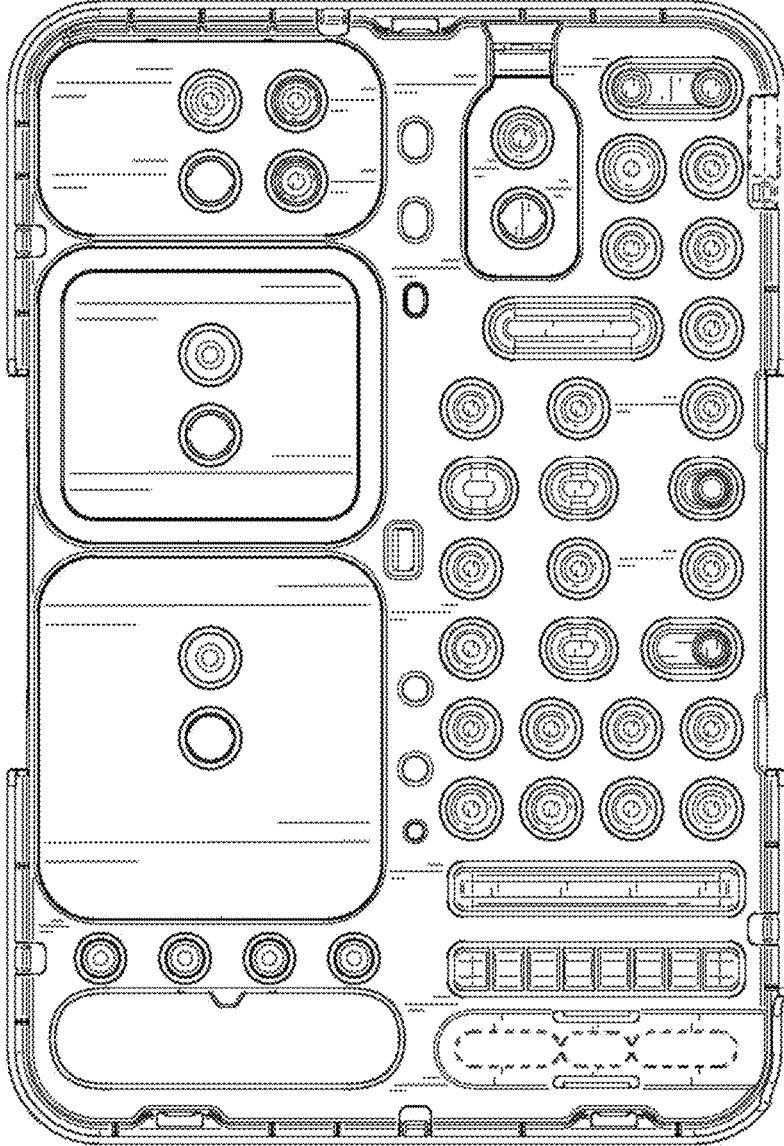


FIG. 2

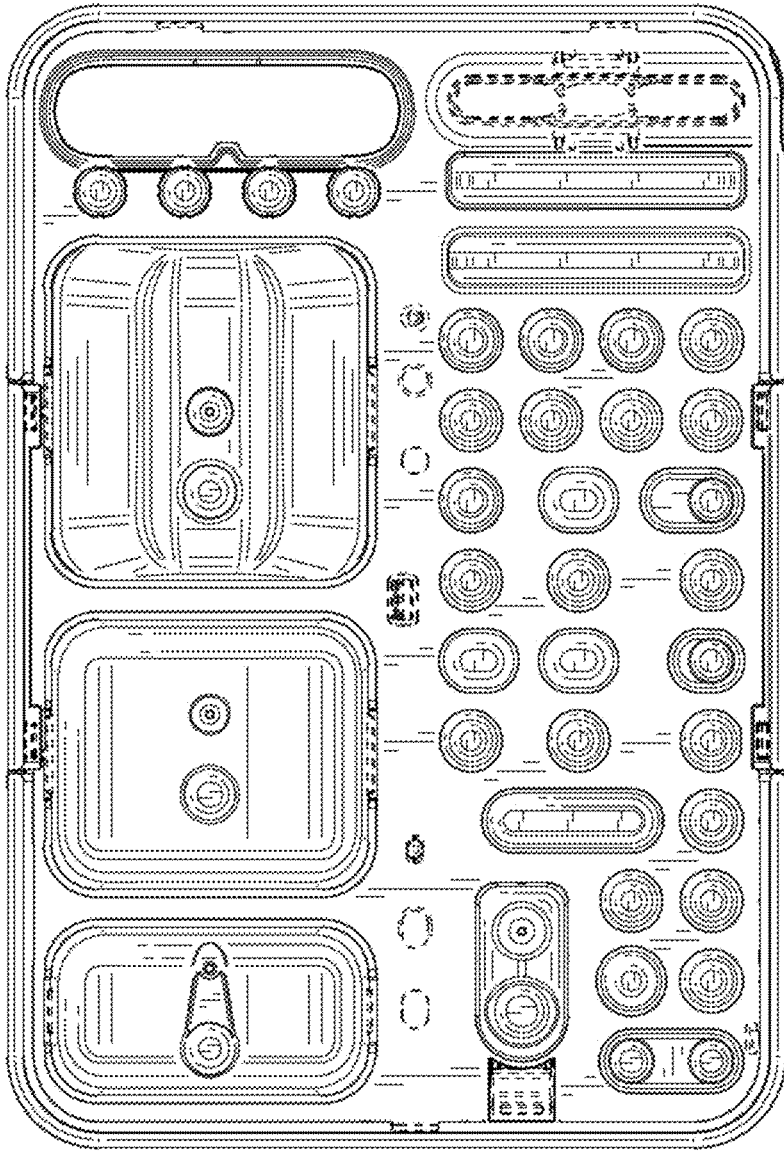


FIG. 3

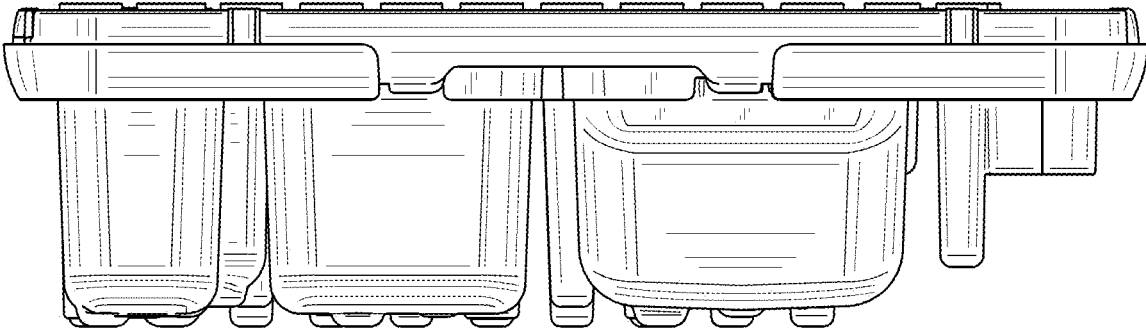


FIG. 4

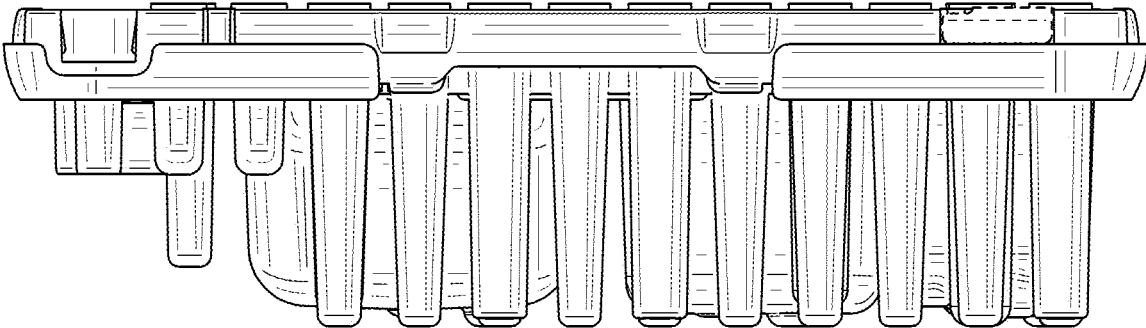


FIG. 5

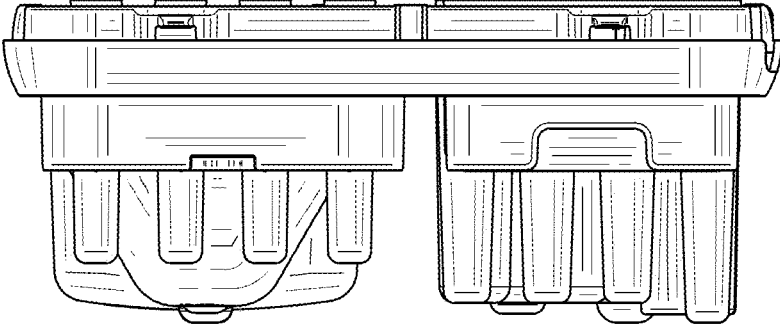


FIG. 6

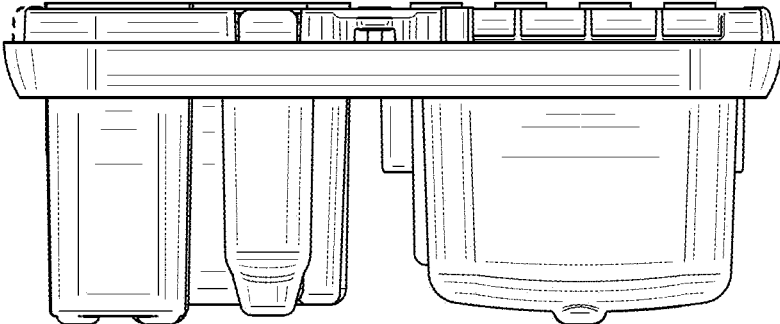


FIG. 7

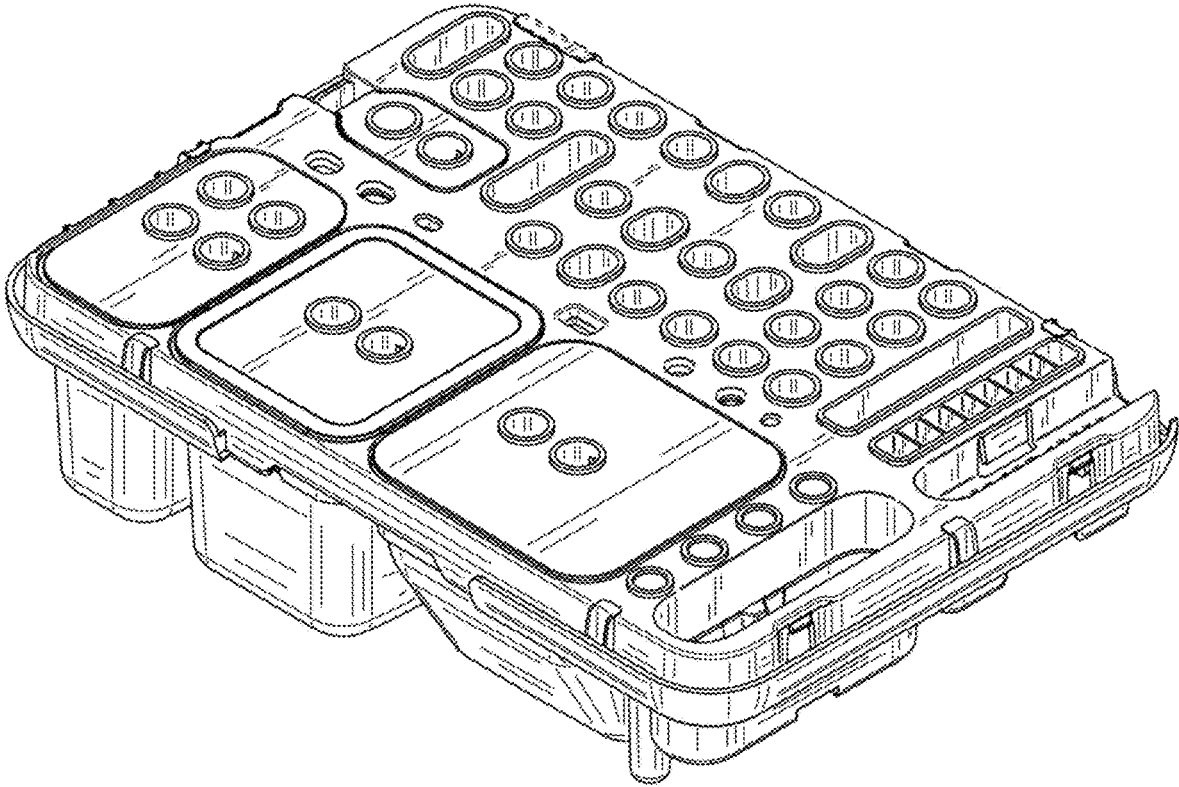


FIG. 8

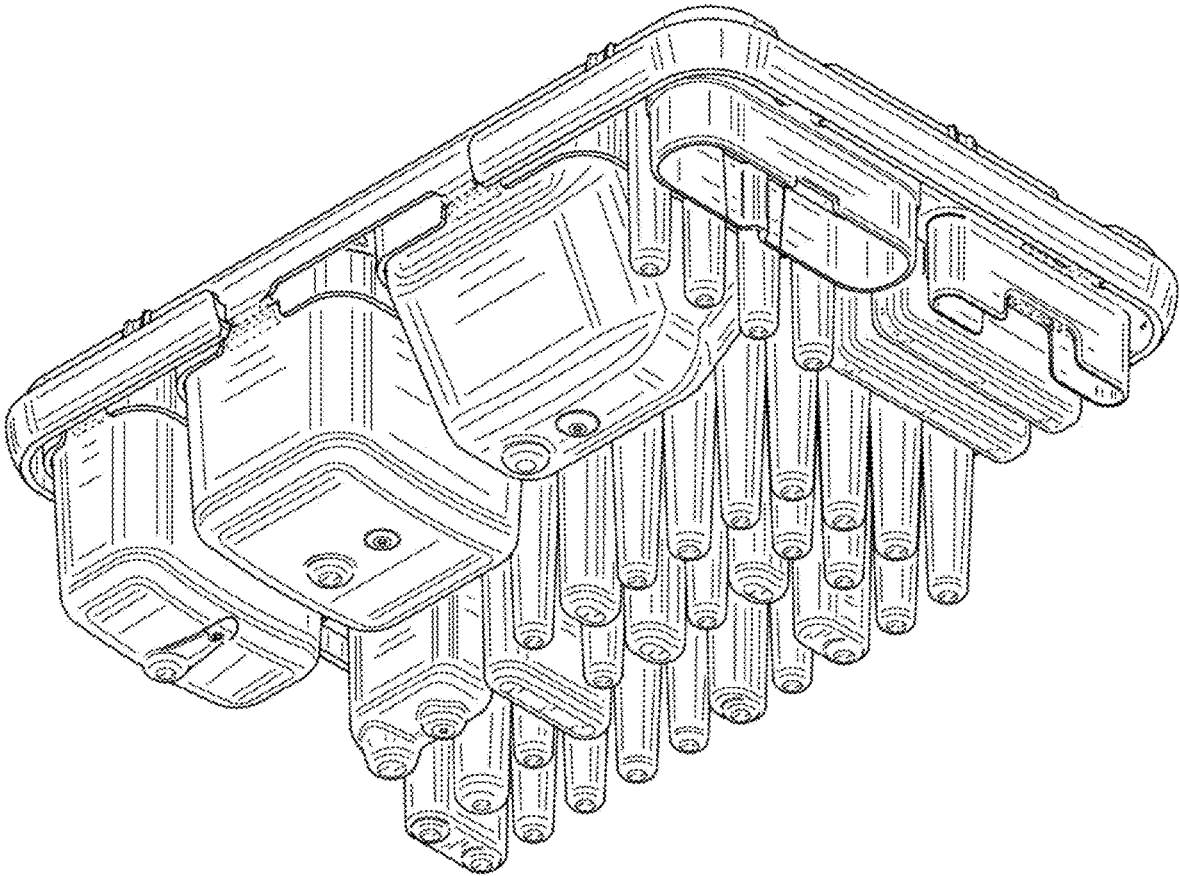


FIG. 9

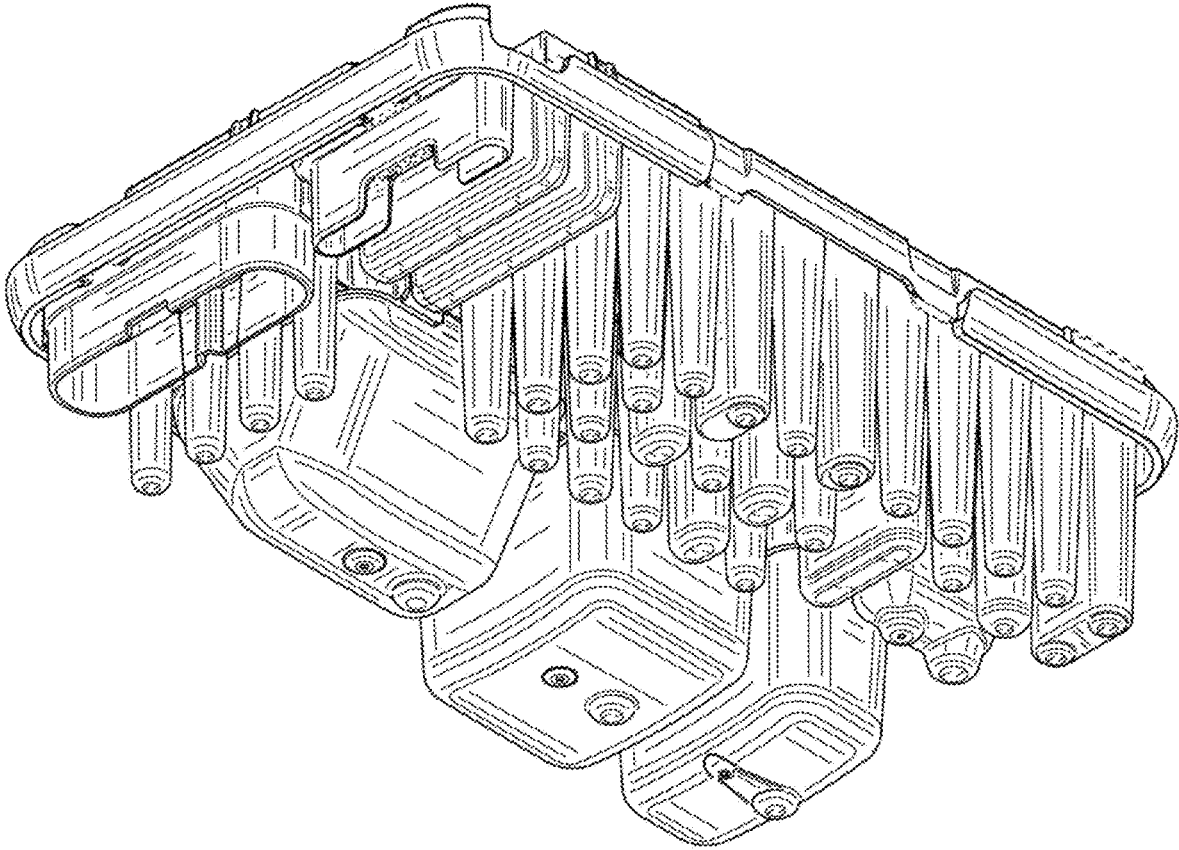


FIG. 10

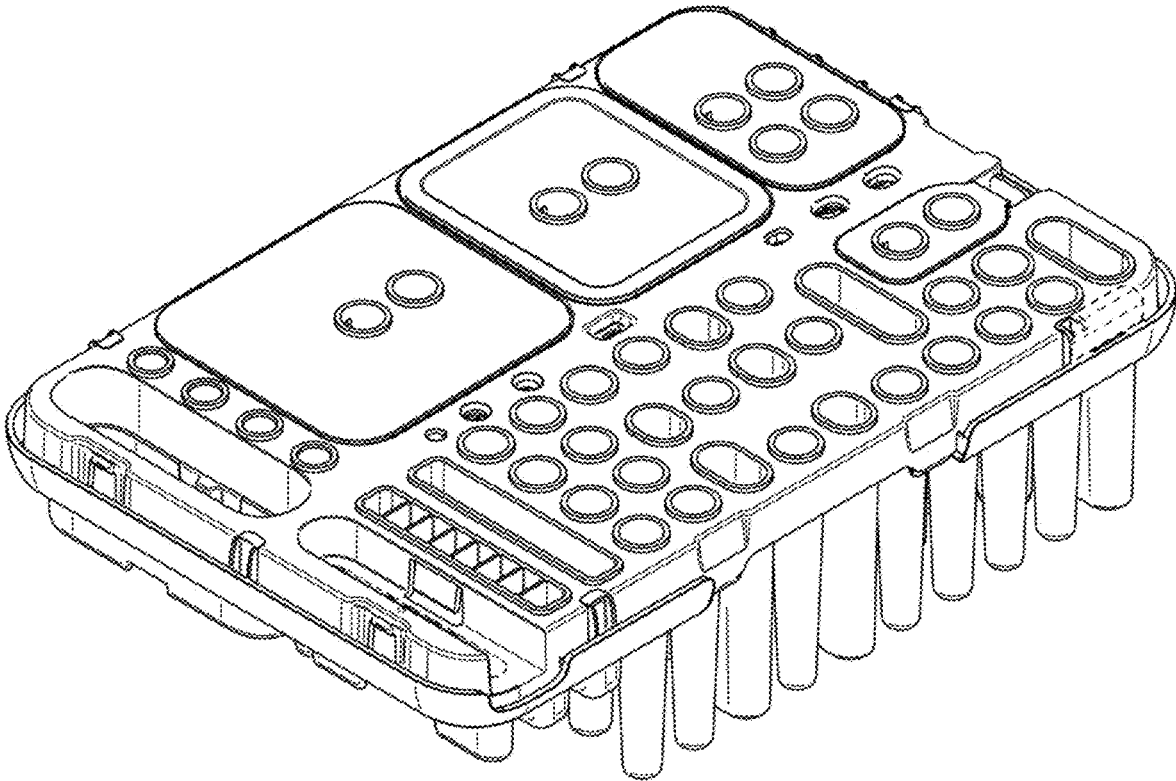


FIG. 11



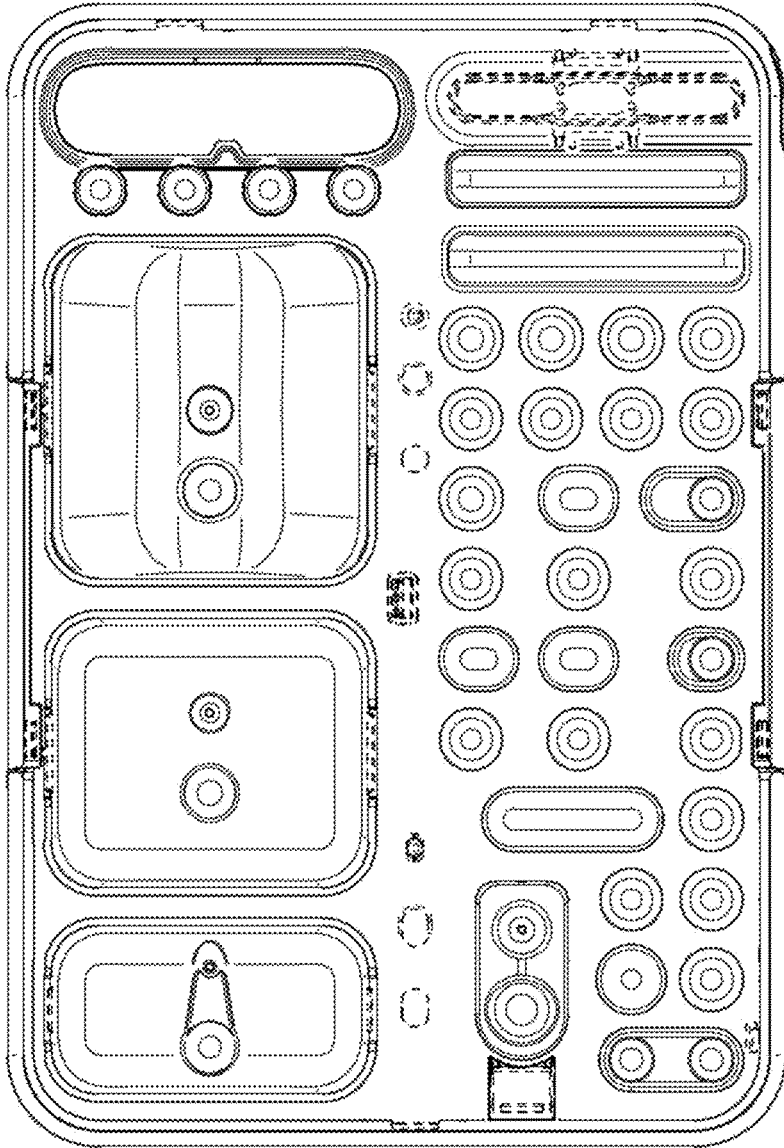


FIG. 13

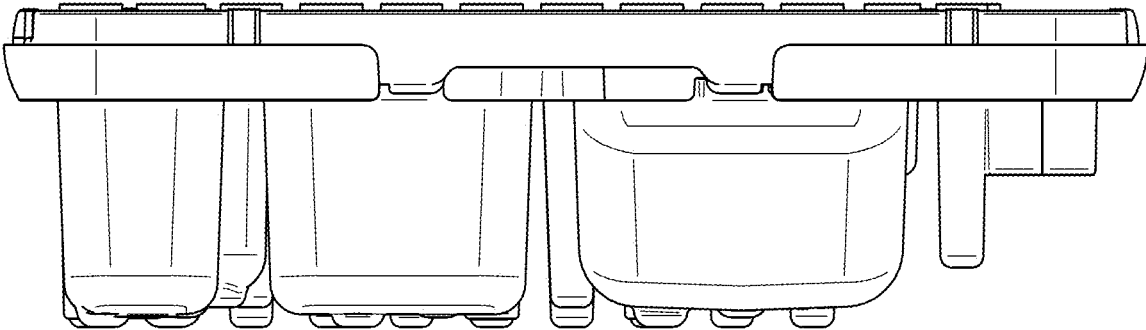


FIG. 14

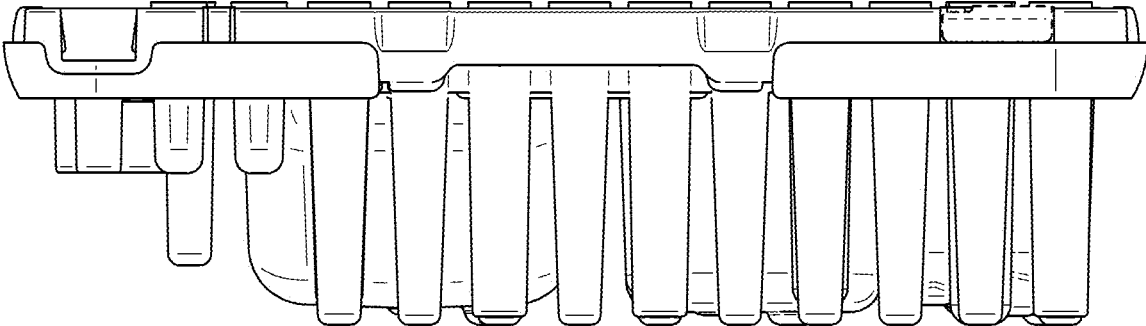


FIG. 15

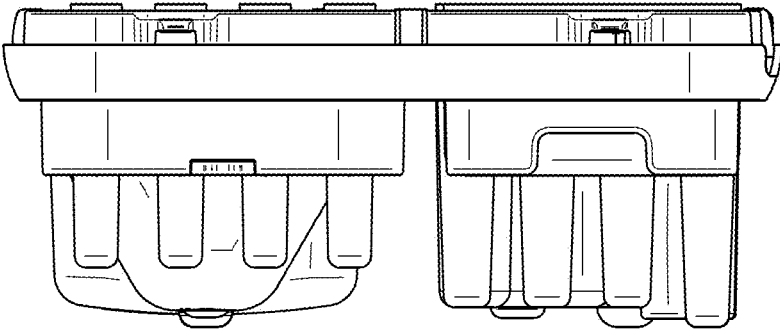


FIG. 16

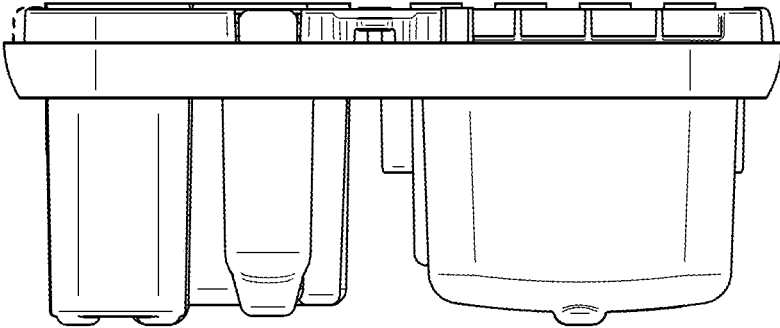


FIG. 17

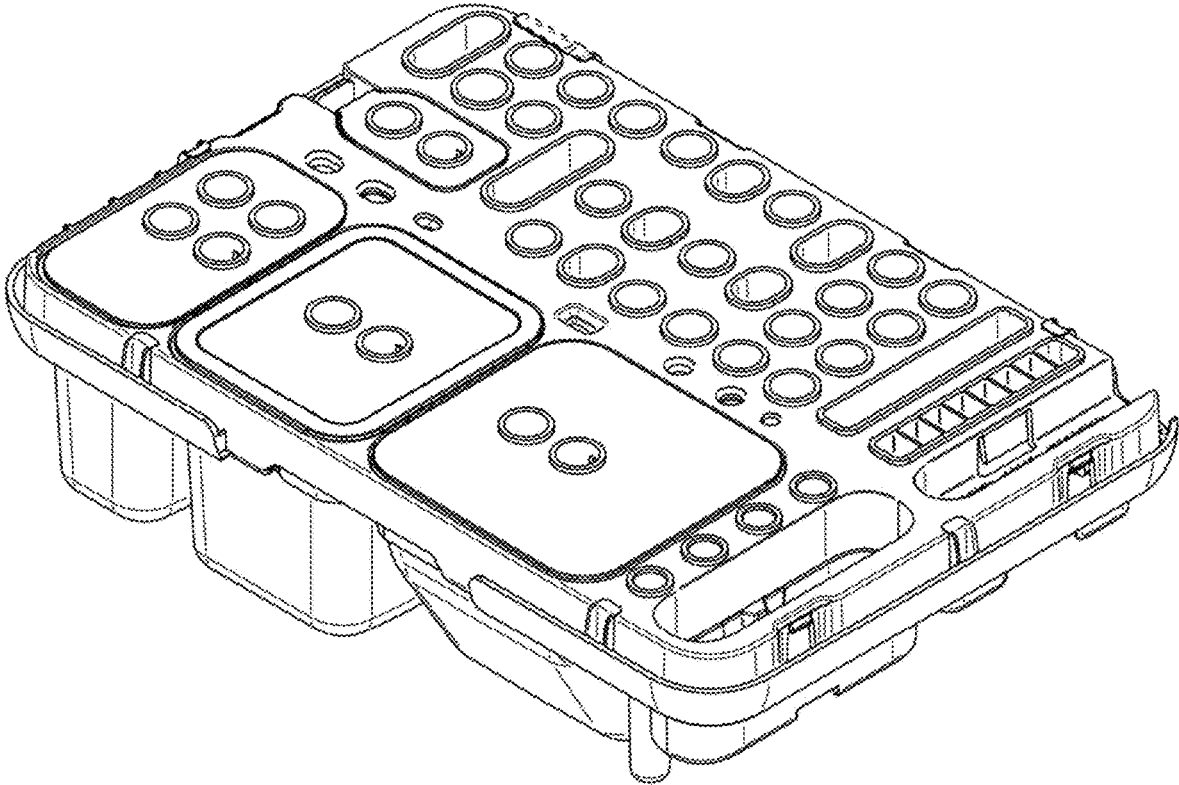


FIG. 18

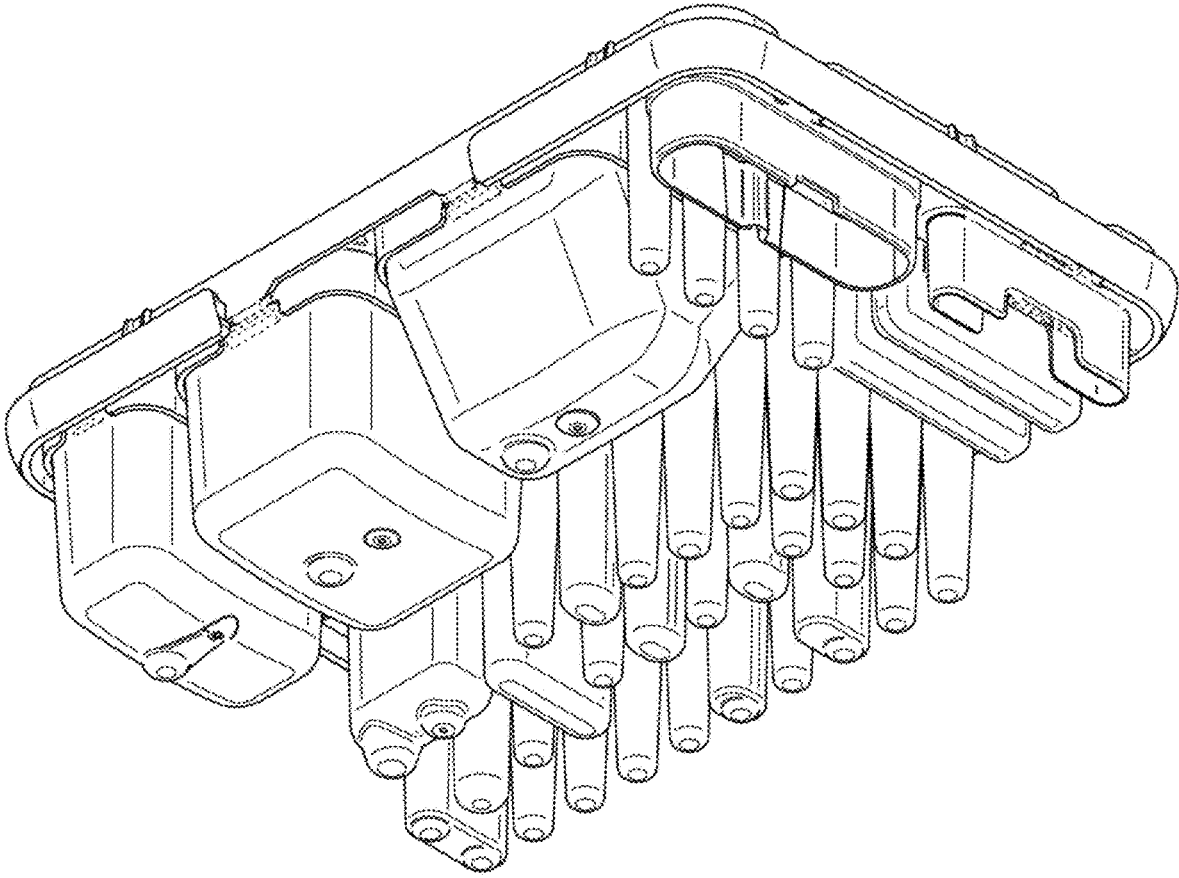


FIG. 19

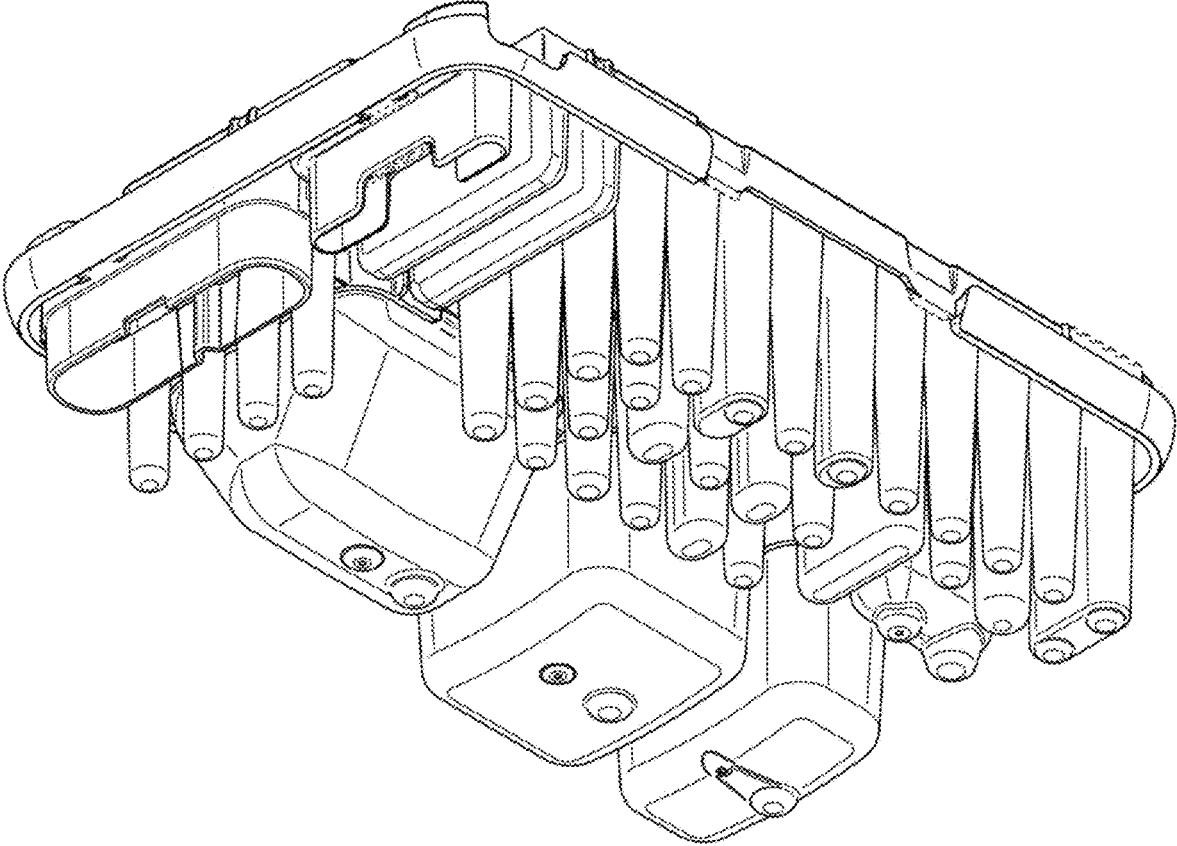


FIG. 20

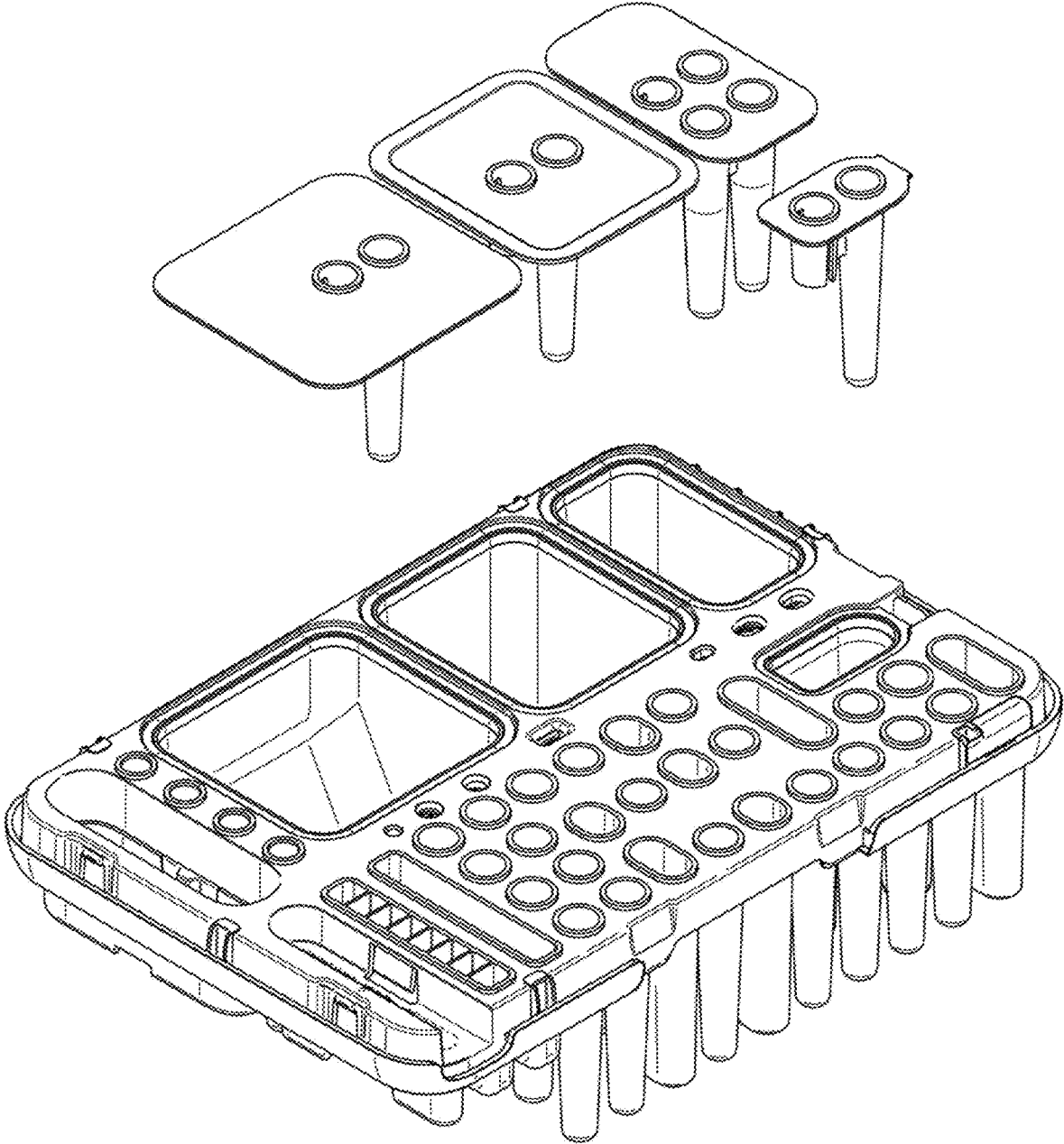


FIG. 21

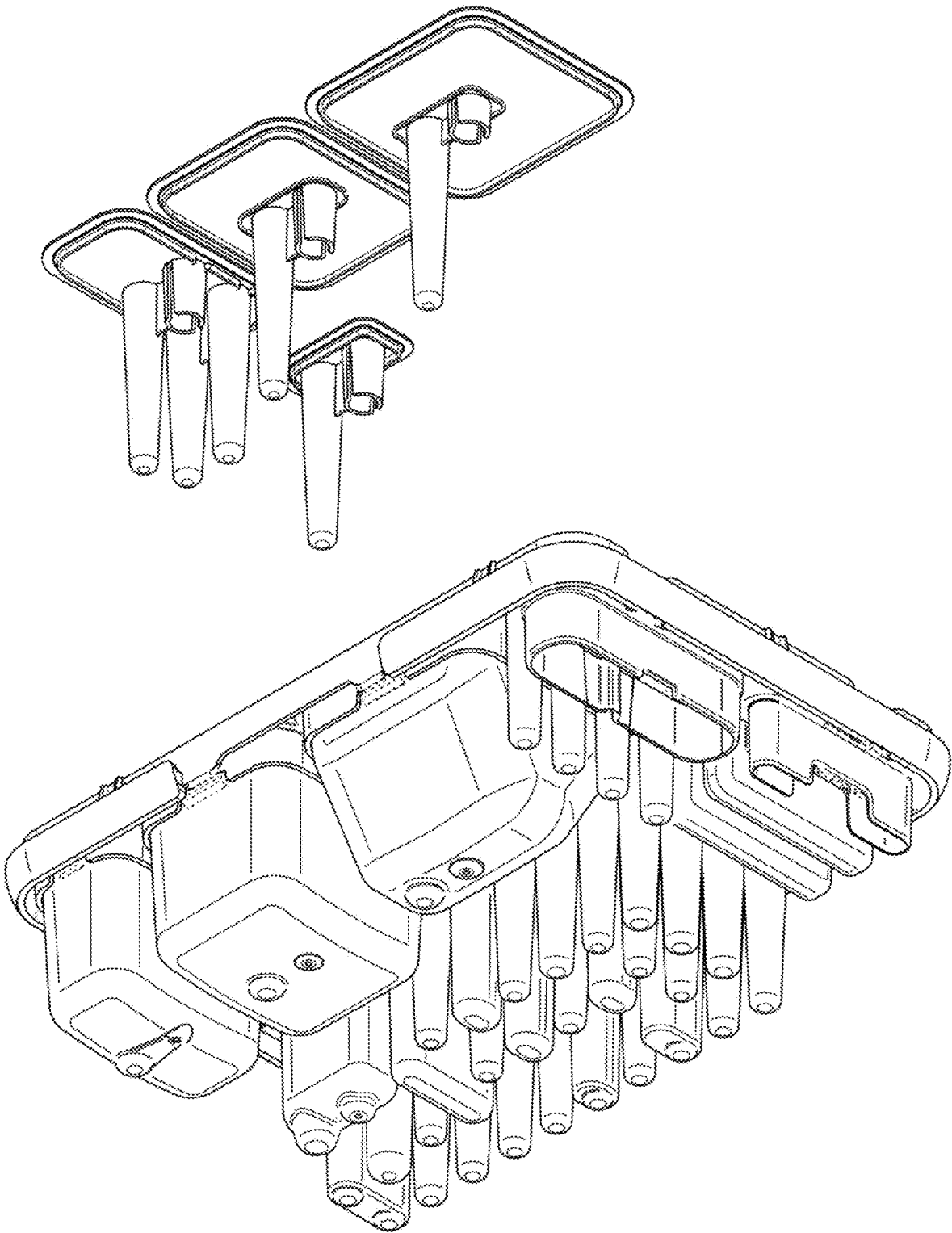


FIG. 22

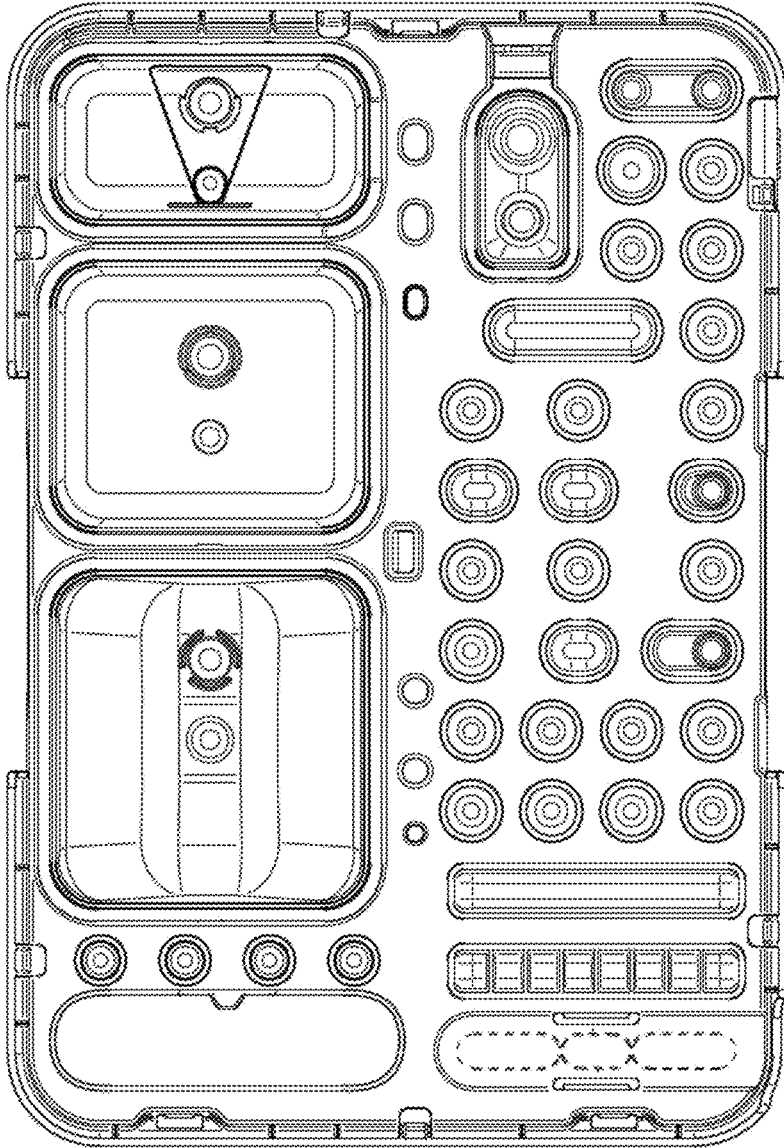


FIG. 23

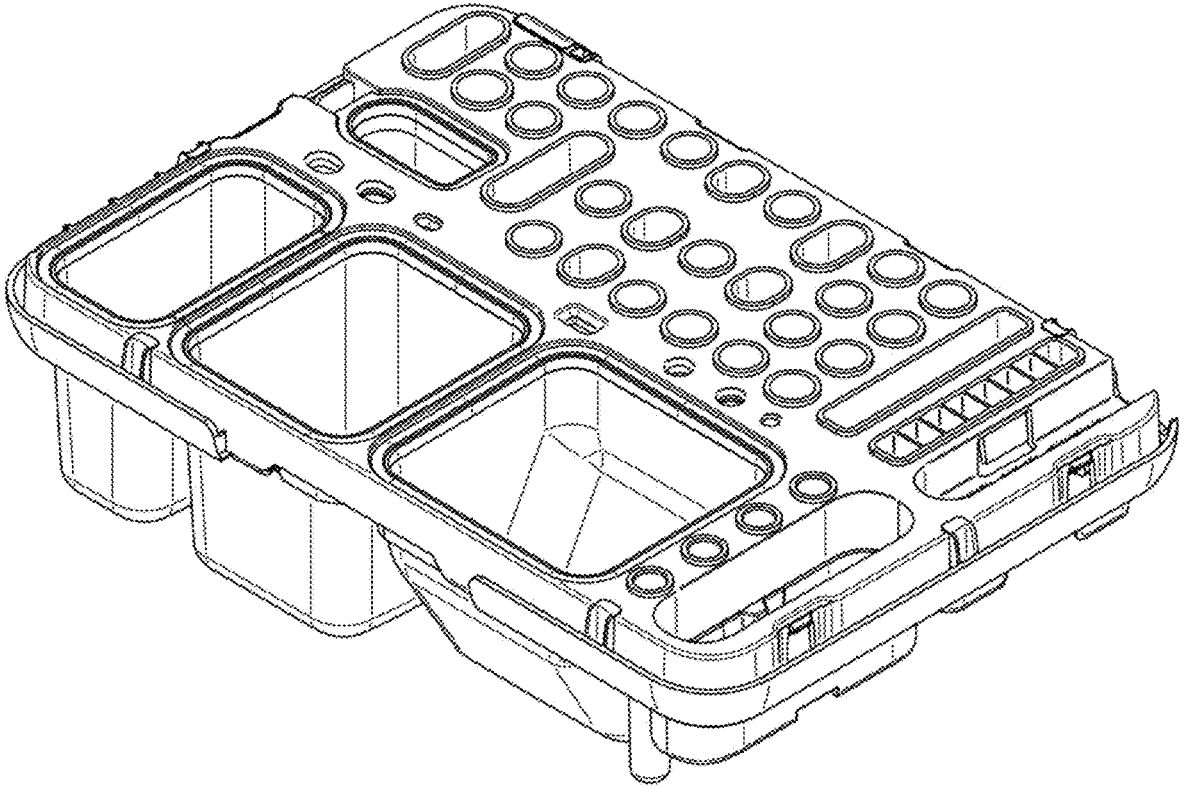


FIG. 24

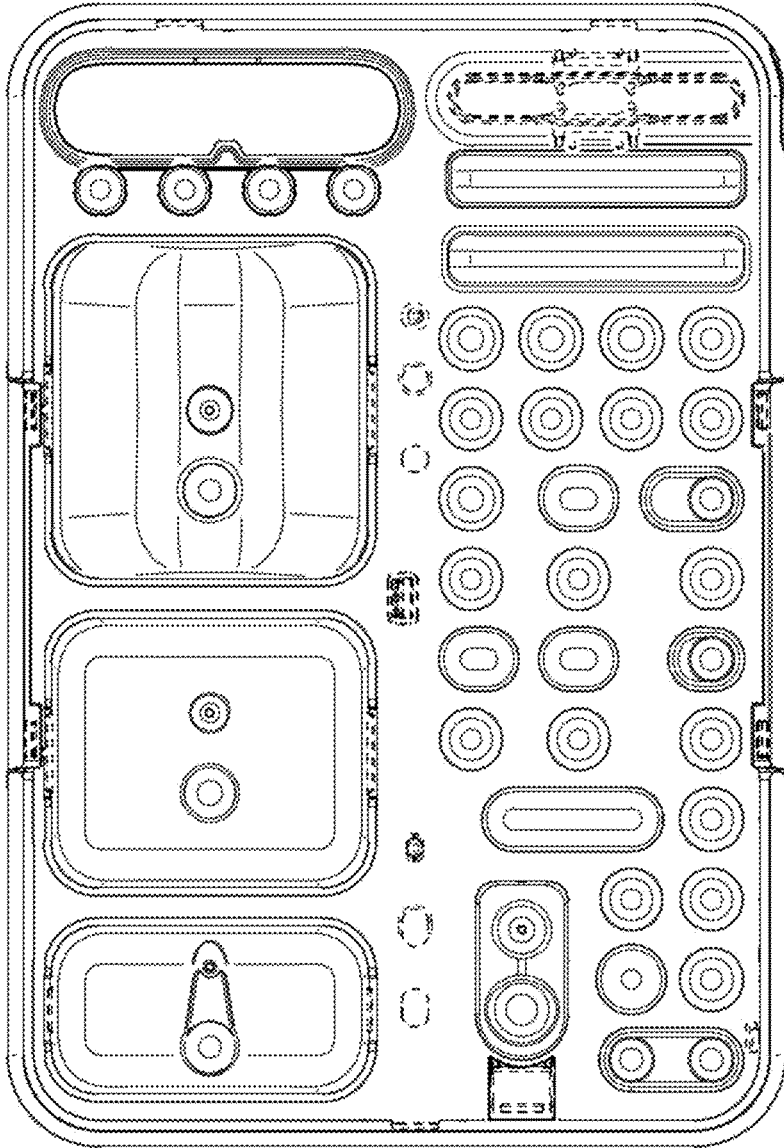


FIG. 25

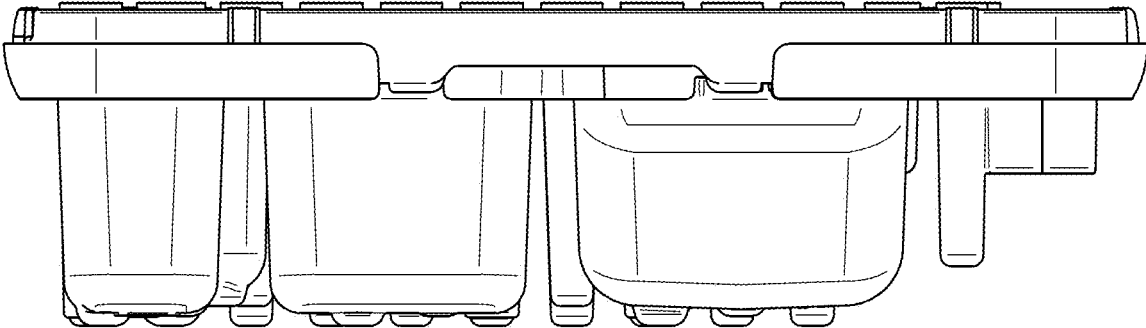


FIG. 26

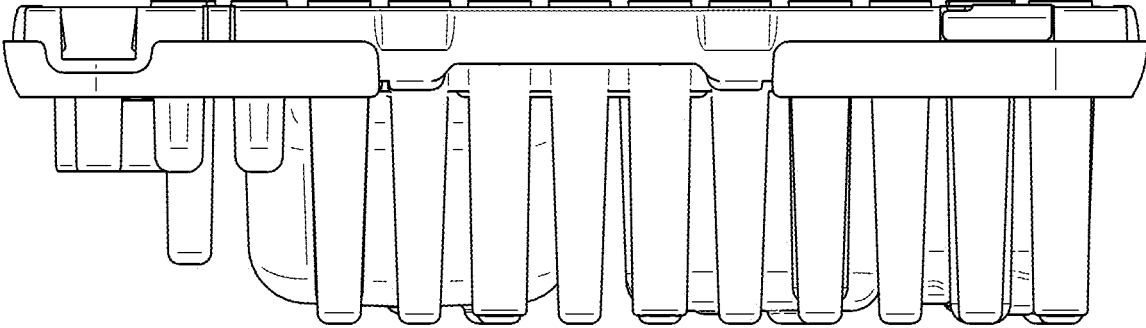


FIG. 27

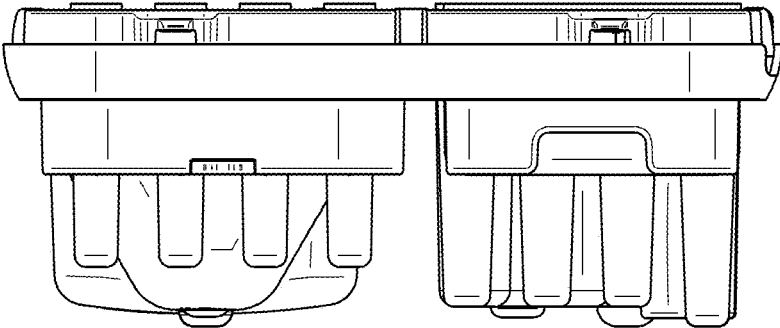


FIG. 28

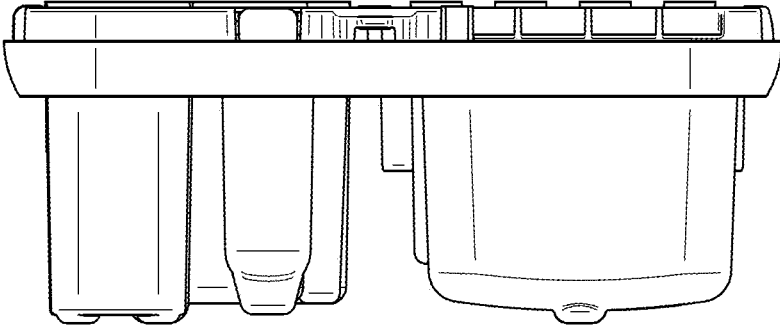


FIG. 29

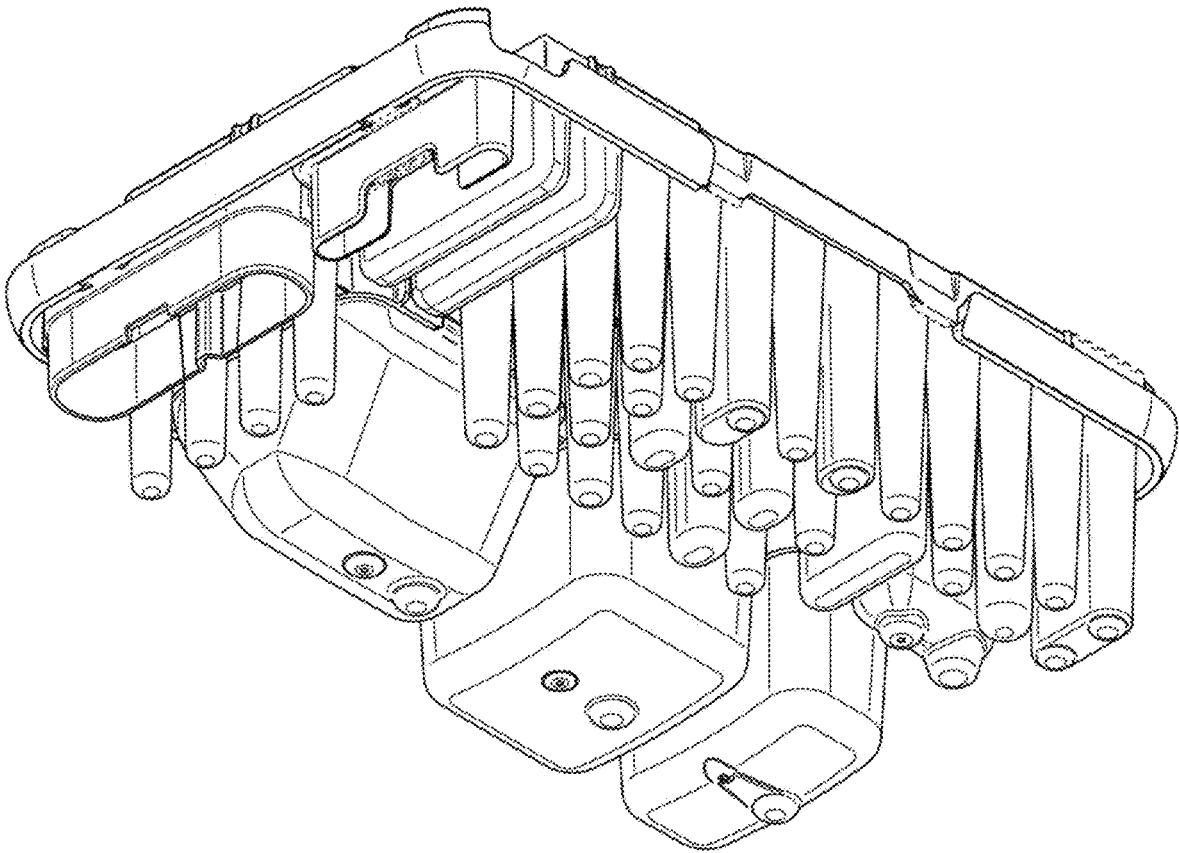


FIG. 30