



US00D997906S

(12) **United States Design Patent**
Lan

(10) **Patent No.:** **US D997,906 S**

(45) **Date of Patent:** **** Sep. 5, 2023**

(54) **WIRELESS SPEAKER**

D884,676 S * 5/2020 He D14/216
D933,045 S * 10/2021 Jin D14/216
D936,032 S * 11/2021 Xiong D14/204

(71) Applicant: **Shenzhen Earfun Technology Co., Ltd.**, Shenzhen (CN)

(Continued)

(72) Inventor: **Fangfang Lan**, Shenzhen (CN)

Primary Examiner — Khawaja Anwar

Assistant Examiner — Megan Tiana Rakos

(73) Assignee: **Shenzhen Earfun Technology Co., Ltd.**, Shenzhen (CN)

(74) *Attorney, Agent, or Firm* — ScienBiziP, P.C.

(**) Term: **15 Years**

(57) **CLAIM**

The ornamental design for a wireless speaker, as shown and described.

(21) Appl. No.: **29/815,089**

DESCRIPTION

(22) Filed: **Nov. 11, 2021**

FIG. 1 is a front, right, and top perspective view of a first embodiment of the wireless speaker, showing my design. FIG. 2 is a rear, left, and bottom perspective view of the wireless speaker in FIG. 1.

(30) **Foreign Application Priority Data**

May 18, 2021 (CN) 202130296021.3

FIG. 3 is a front view of the wireless speaker in FIG. 1.

(51) **LOC (14) Cl.** **14-01**

FIG. 4 is a rear view of the wireless speaker in FIG. 1.

(52) **U.S. Cl.**
USPC **D14/210**

FIG. 5 is a left side view of the wireless speaker in FIG. 1.

(58) **Field of Classification Search**
USPC D14/125, 188, 204, 215, 216, 217, 358, D14/496

FIG. 6 is a right side view of the wireless speaker in FIG. 1.

CPC H04R 1/2819; H04R 2420/07
See application file for complete search history.

FIG. 7 is a top view of the wireless speaker in FIG. 1.

FIG. 8 is a bottom view of the wireless speaker in FIG. 1.

FIG. 9 is a front, right, and top perspective view of a second embodiment of a wireless speaker, showing my design.

(56) **References Cited**

U.S. PATENT DOCUMENTS

D800,699 S * 10/2017 Fischer D14/216
D803,813 S * 11/2017 Rouffiat D14/215
D805,059 S * 12/2017 Fischer D14/221
D825,528 S * 8/2018 Huang D14/216
D845,925 S * 4/2019 Bellinghausen D14/204
D868,022 S * 11/2019 Distefano D14/204
D874,426 S * 2/2020 Kim D14/204

FIG. 10 is a rear, left, and bottom perspective view of the wireless speaker in FIG. 9.

FIG. 11 is a front view of the wireless speaker in FIG. 9.

FIG. 12 is a rear view of the wireless speaker in FIG. 9.

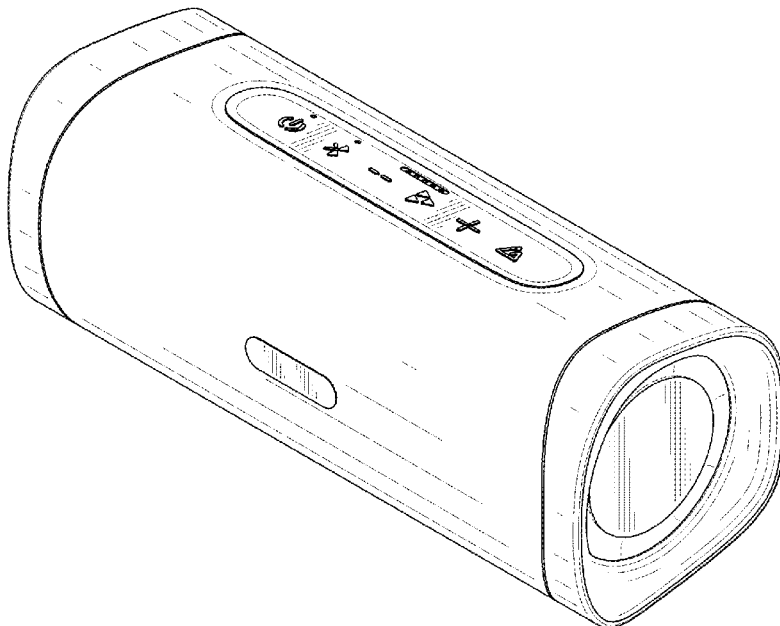
FIG. 13 is a left side view of the wireless speaker in FIG. 9.

FIG. 14 is a right side view of the wireless speaker in FIG. 9.

FIG. 15 is a top view of the wireless speaker in FIG. 9; and, FIG. 16 is a bottom view of the wireless speaker in FIG. 9.

The broken lines shown in the drawings are included for the purpose of illustrating portions of the wireless speaker that form no part of the claimed design.

1 Claim, 16 Drawing Sheets



(56)

References Cited

U.S. PATENT DOCUMENTS

D951,910 S *	5/2022	Xu	D14/212
D964,311 S *	9/2022	Bellinghausen	D14/204
D976,866 S *	1/2023	Lo	D14/216

* cited by examiner

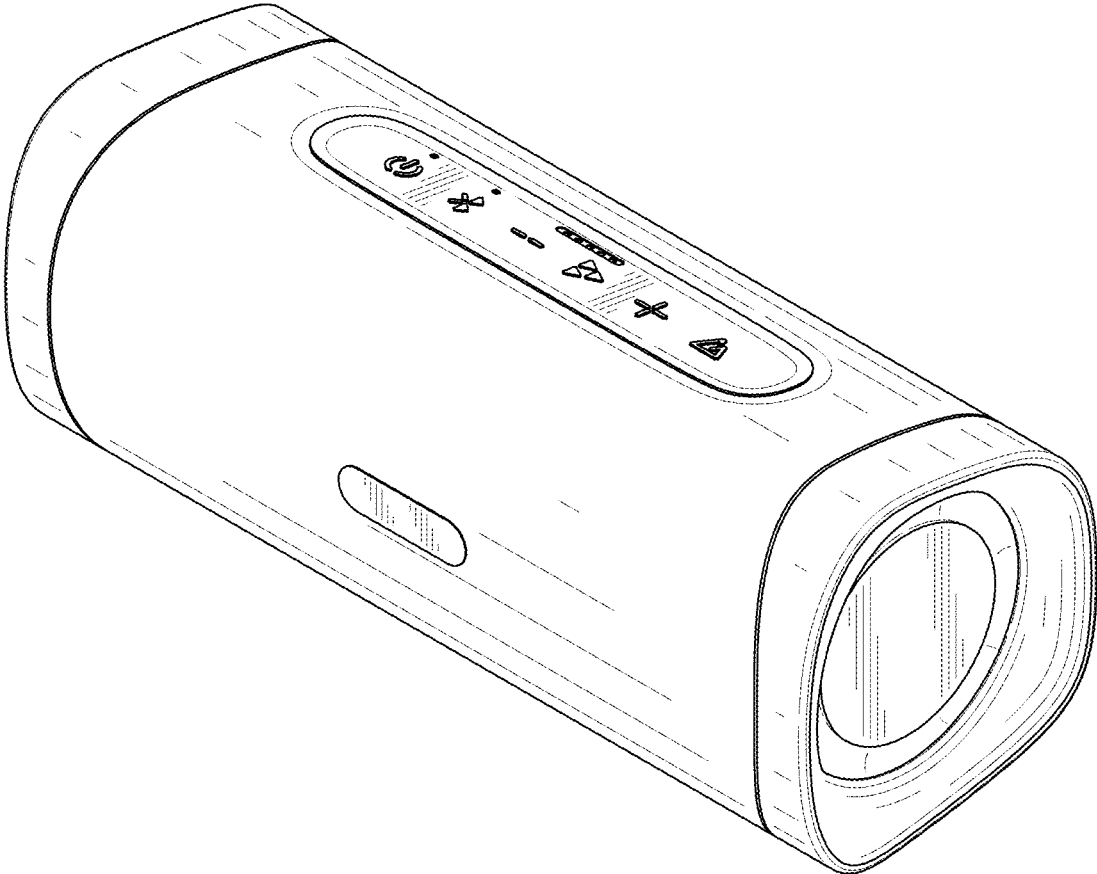


FIG. 1

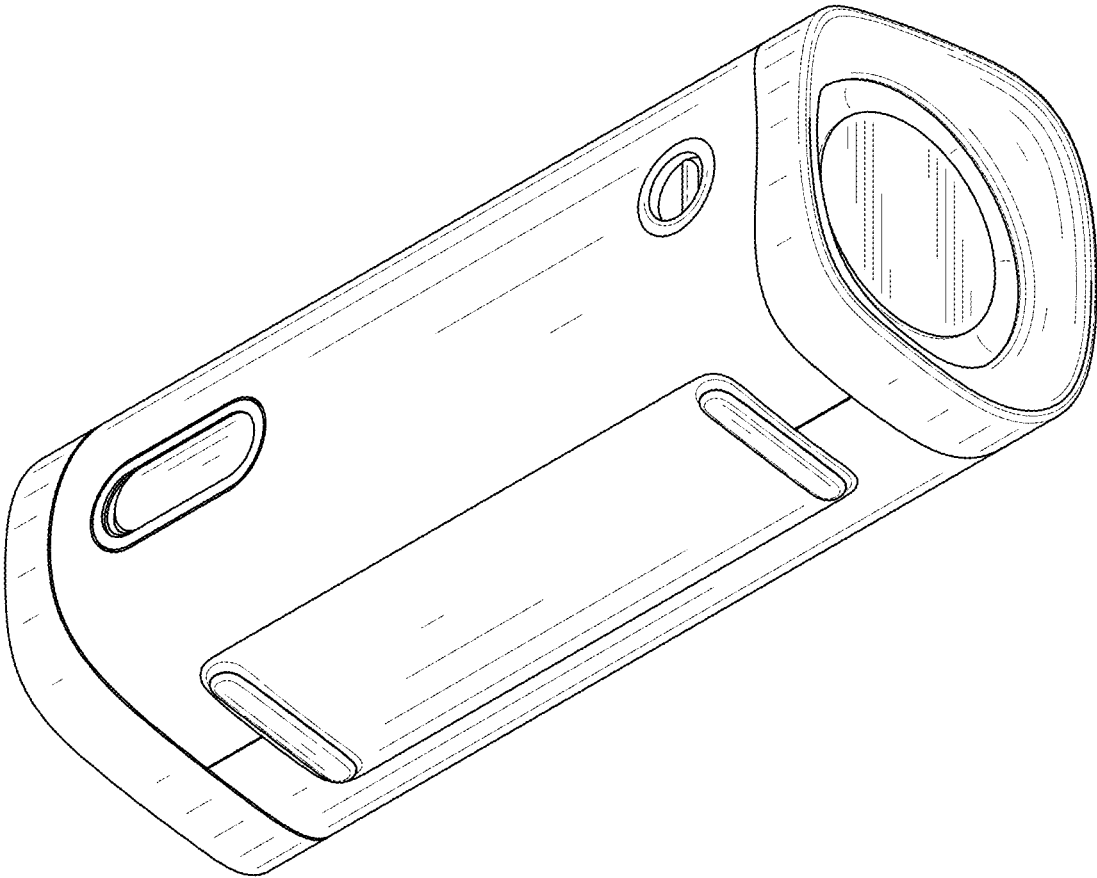


FIG. 2

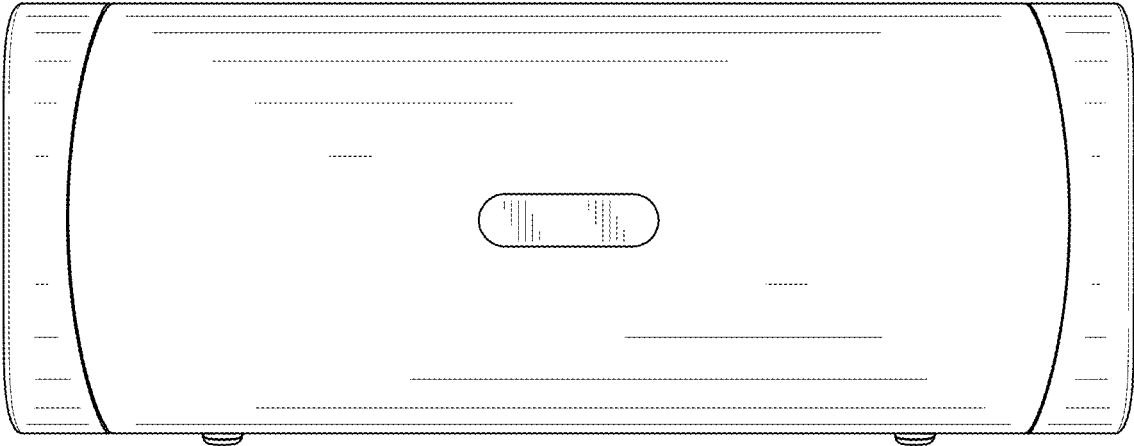


FIG. 3

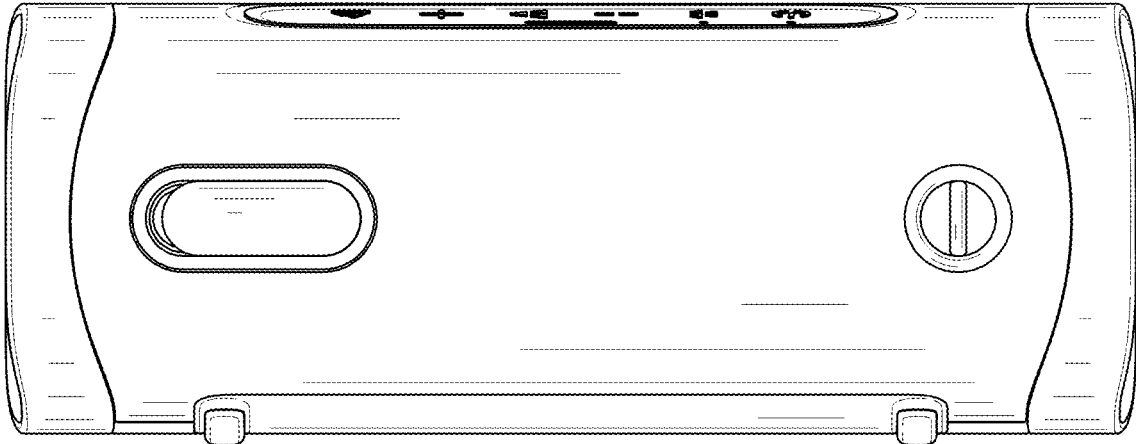


FIG. 4

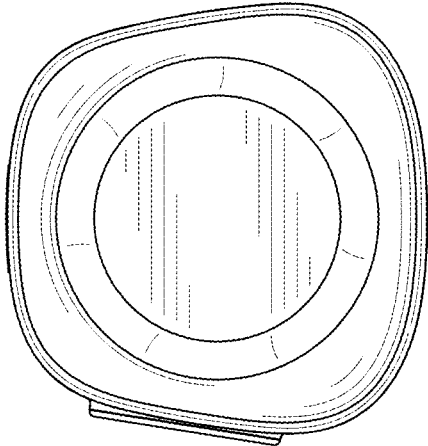


FIG. 5

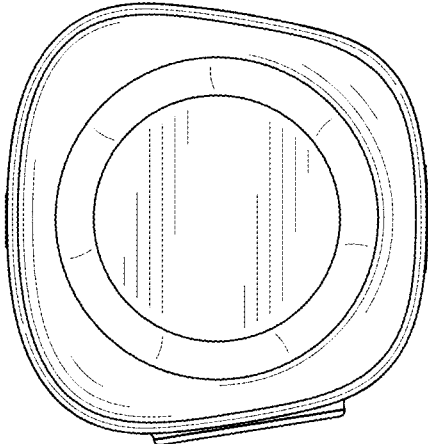


FIG. 6

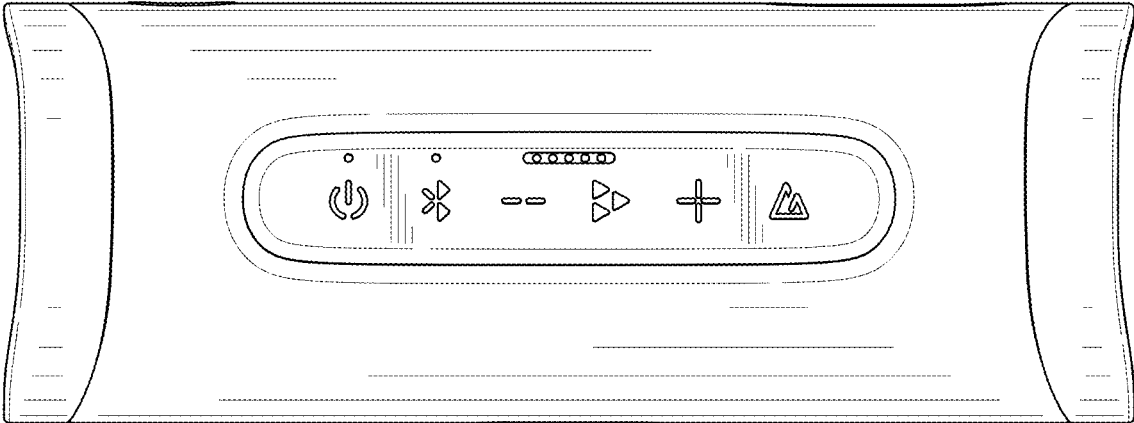


FIG. 7

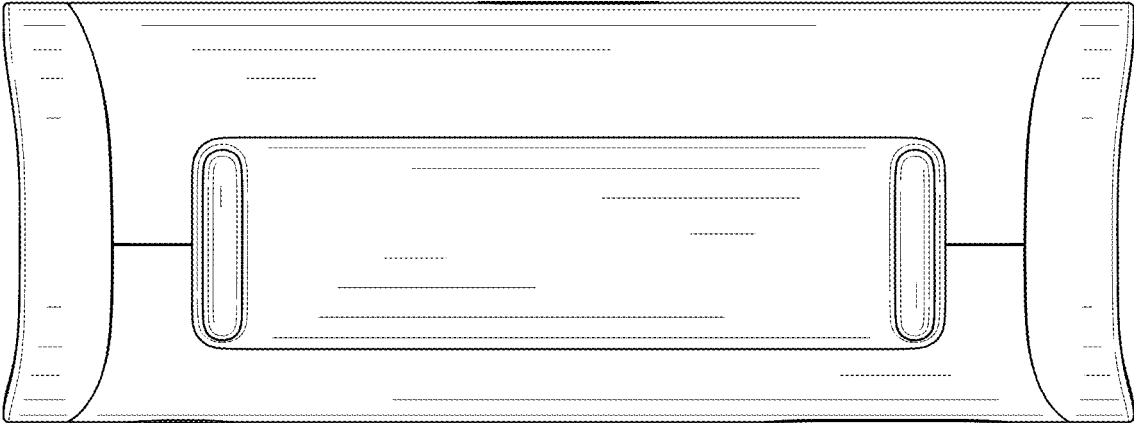


FIG. 8

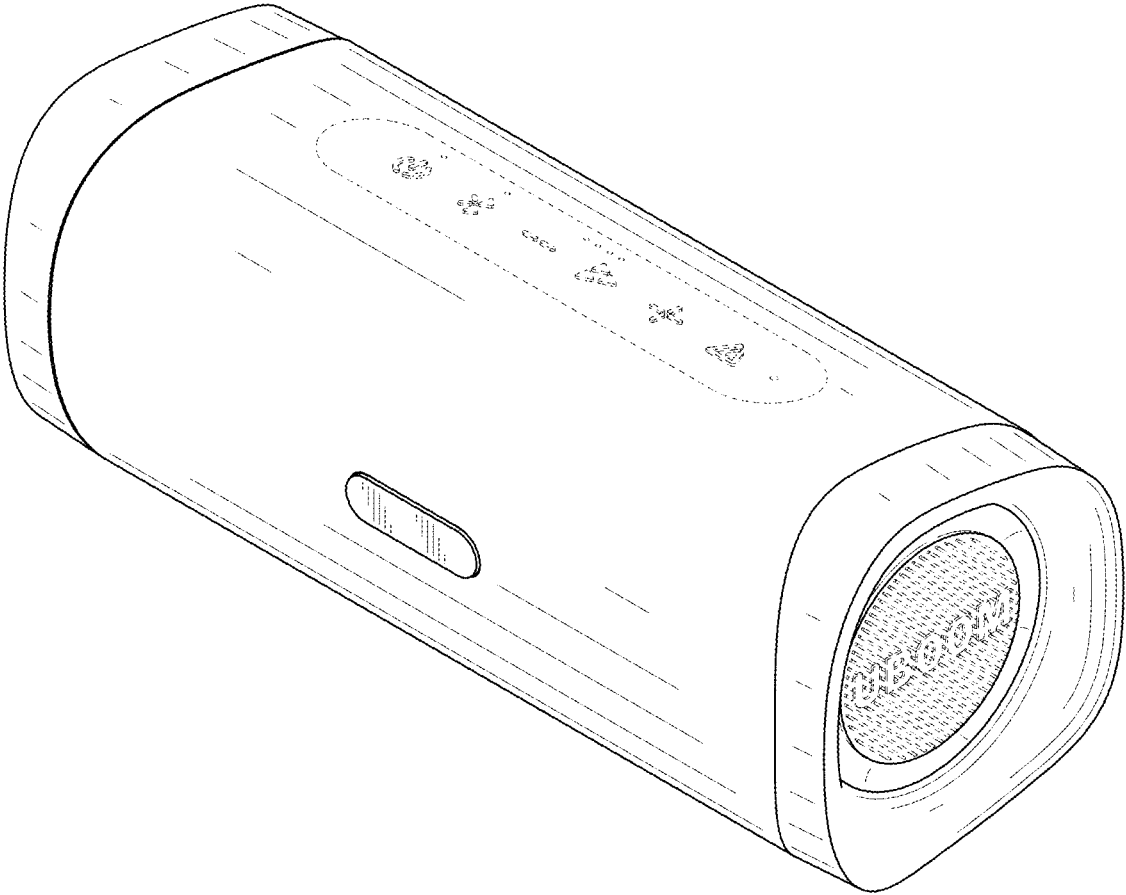


FIG. 9

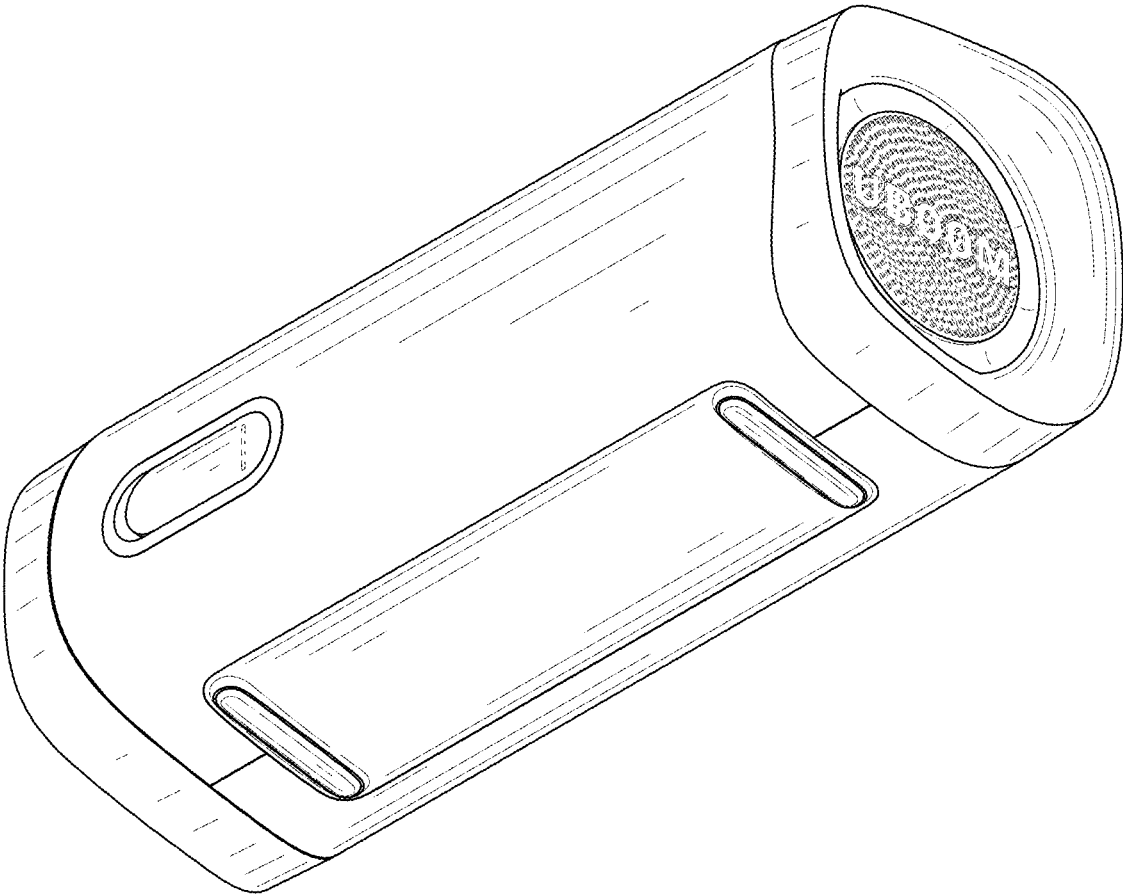


FIG. 10

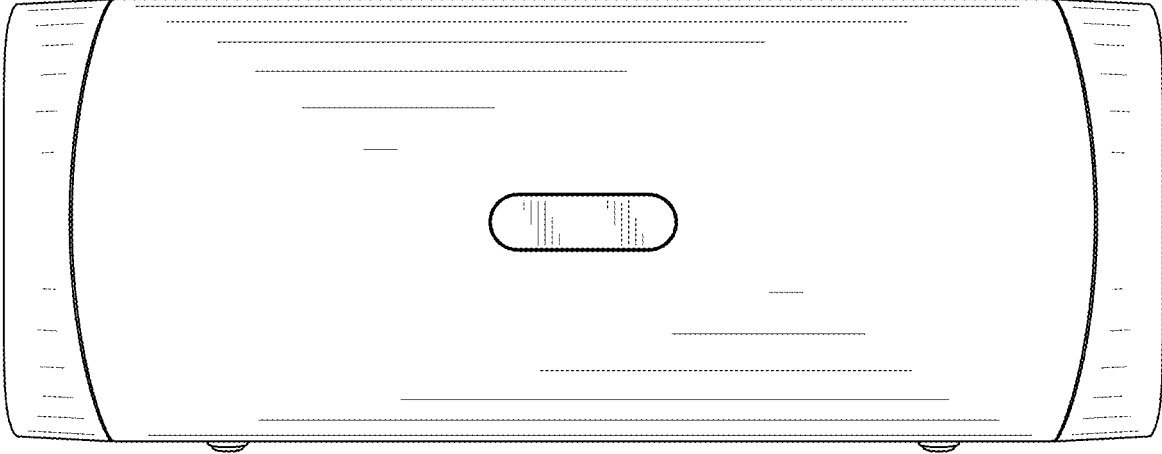


FIG. 11

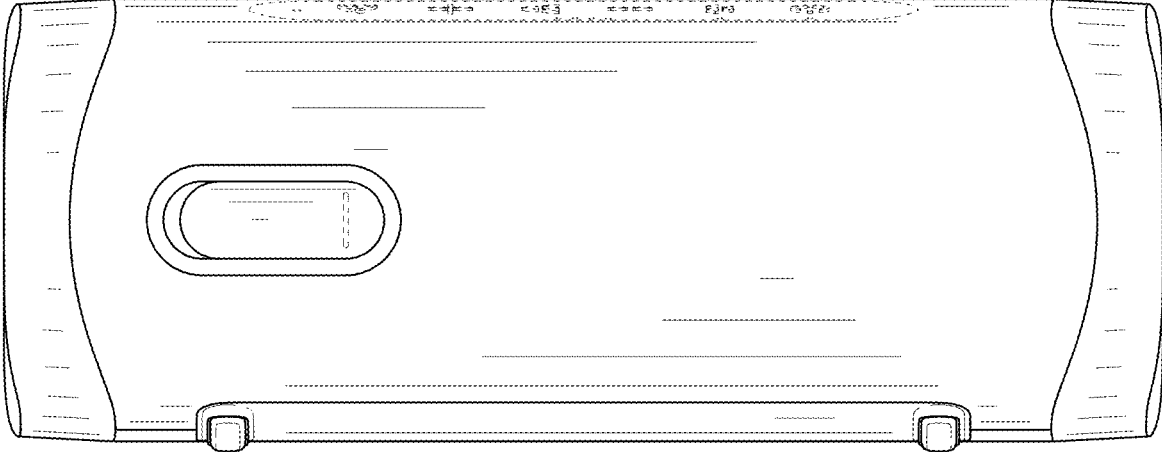


FIG. 12

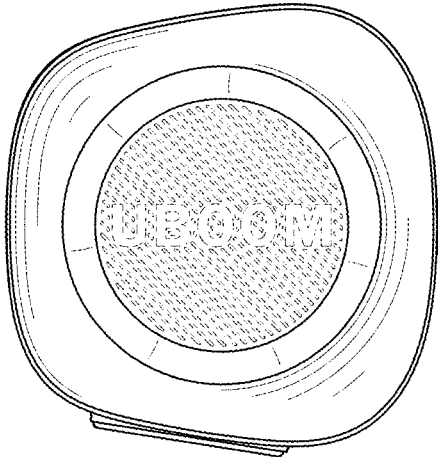


FIG. 13

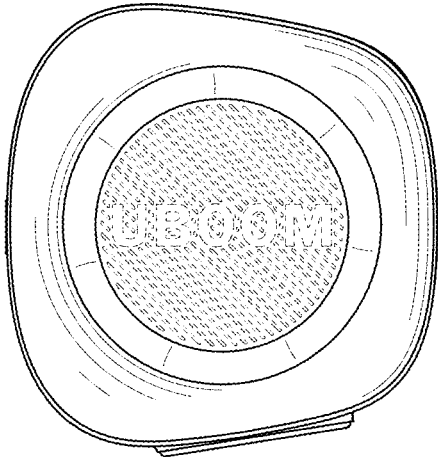


FIG. 14

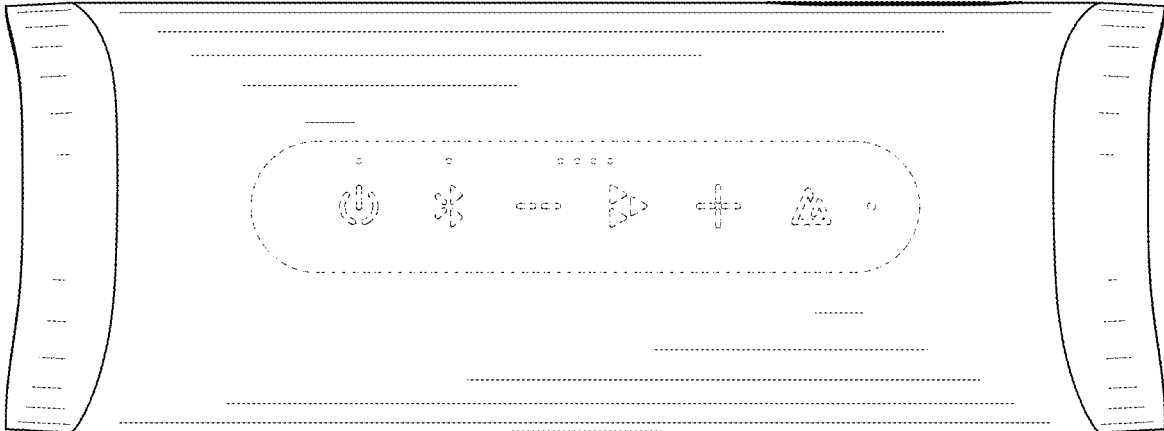


FIG. 15

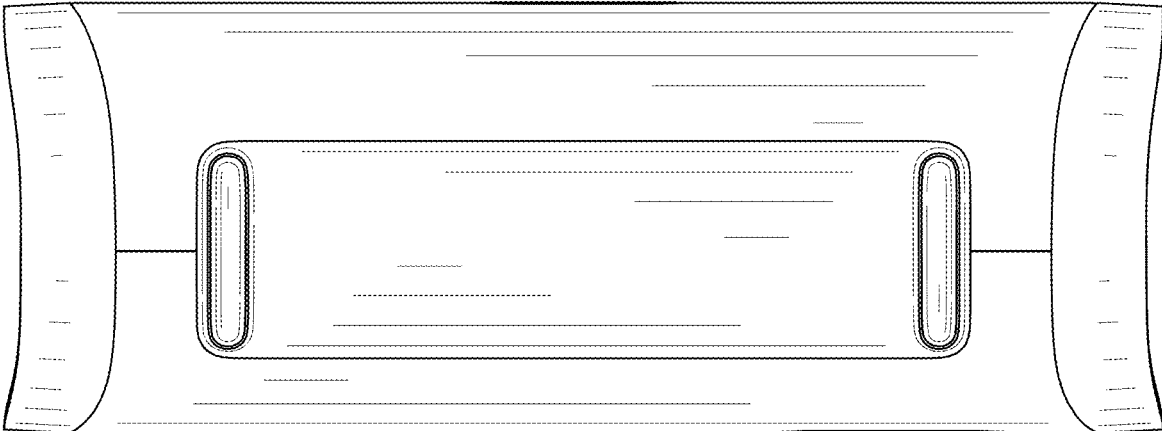


FIG. 16