



US00D786405S

(12) **United States Design Patent**
Schaubach

(10) **Patent No.:** **US D786,405 S**

(45) **Date of Patent:** **** May 9, 2017**

(54) **FAUCET**

(71) Applicant: **Spectrum Brands, Inc.**, Middleton, WI (US)

(72) Inventor: **Lauren Schaubach**, Costa Mesa, CA (US)

(73) Assignee: **Spectrum Brands, Inc.**, Middleton, WI (US)

(**) Term: **15 Years**

(21) Appl. No.: **29/546,520**

(22) Filed: **Nov. 23, 2015**

(51) **LOC (10) Cl.** **23-01**

(52) **U.S. Cl.**
USPC **D23/238**

(58) **Field of Classification Search**
USPC D23/238, 249-250, 252, 254;
D8/307-308, 310

CPC . E03C 1/00; E03C 1/0404; E03C 1/02; E03C 1/021; E03C 2001/0411; E03C 2001/0415; E03C 2001/0417; Y10T 137/9464; B05B 15/065; A47L 17/00
See application file for complete search history.

(56) **References Cited**

U.S. PATENT DOCUMENTS

D473,630 S	4/2003	Wettstein et al.	
D479,309 S	9/2003	Haug et al.	
D479,579 S	9/2003	Haug et al.	
D503,777 S *	4/2005	Costello	D23/238
D513,526 S	1/2006	Marshall	
D519,190 S	4/2006	Lord	
D531,698 S	11/2006	Wood et al.	
D534,622 S	1/2007	Chu et al.	
D539,870 S	4/2007	Lammel et al.	
D552,717 S *	10/2007	Wood	D23/249

D564,634 S	3/2008	Kirar	
D603,021 S	10/2009	Roy	
D610,653 S	2/2010	Schoenherr et al.	
D611,124 S	3/2010	Schoenherr et al.	
D612,015 S	3/2010	Lammel et al.	
D741,984 S *	10/2015	Bahler	D23/252
2004/0112985 A1 *	6/2004	Malek	E03C 1/0404 239/445

FOREIGN PATENT DOCUMENTS

CA	96920 S	2/2003
CA	105307 S	3/2005
CA	112932 S	1/2007
CA	114756 S	4/2007
CA	115692 S	9/2007
CA	117452 S	11/2007
CA	121271 S	5/2008
CA	142195 S	4/2012
CA	142198 S	4/2012
CA	147703 S	2/2014
CA	150225 S	6/2014
CA	151115 S	6/2014

(Continued)

Primary Examiner — Robert Delehanty

(74) *Attorney, Agent, or Firm* — Banner & Witcoff, Ltd.

(57) **CLAIM**

The ornamental design for a faucet, as shown and described.

DESCRIPTION

FIG. 1 is a front perspective view of a faucet showing my new design;

FIG. 2 is a front view thereof;

FIG. 3 is a rear view thereof;

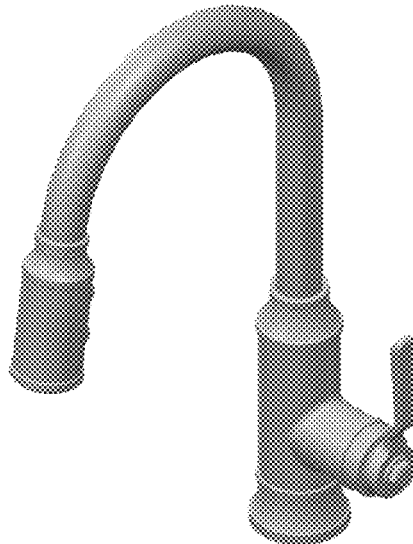
FIG. 4 is a right side view thereof;

FIG. 5 is a left side view thereof;

FIG. 6 is a top view thereof; and,

FIG. 7 is a second perspective view thereof.

1 Claim, 6 Drawing Sheets



(56)

References Cited

FOREIGN PATENT DOCUMENTS

CA	151116 S	6/2014
CA	157730 S	3/2015
CA	157333 S	5/2015
EM	001099048-0001	3/2009
EM	001284699-0061	7/2011
EM	001284699-0063	7/2011
EM	001334932-0003	7/2012

* cited by examiner

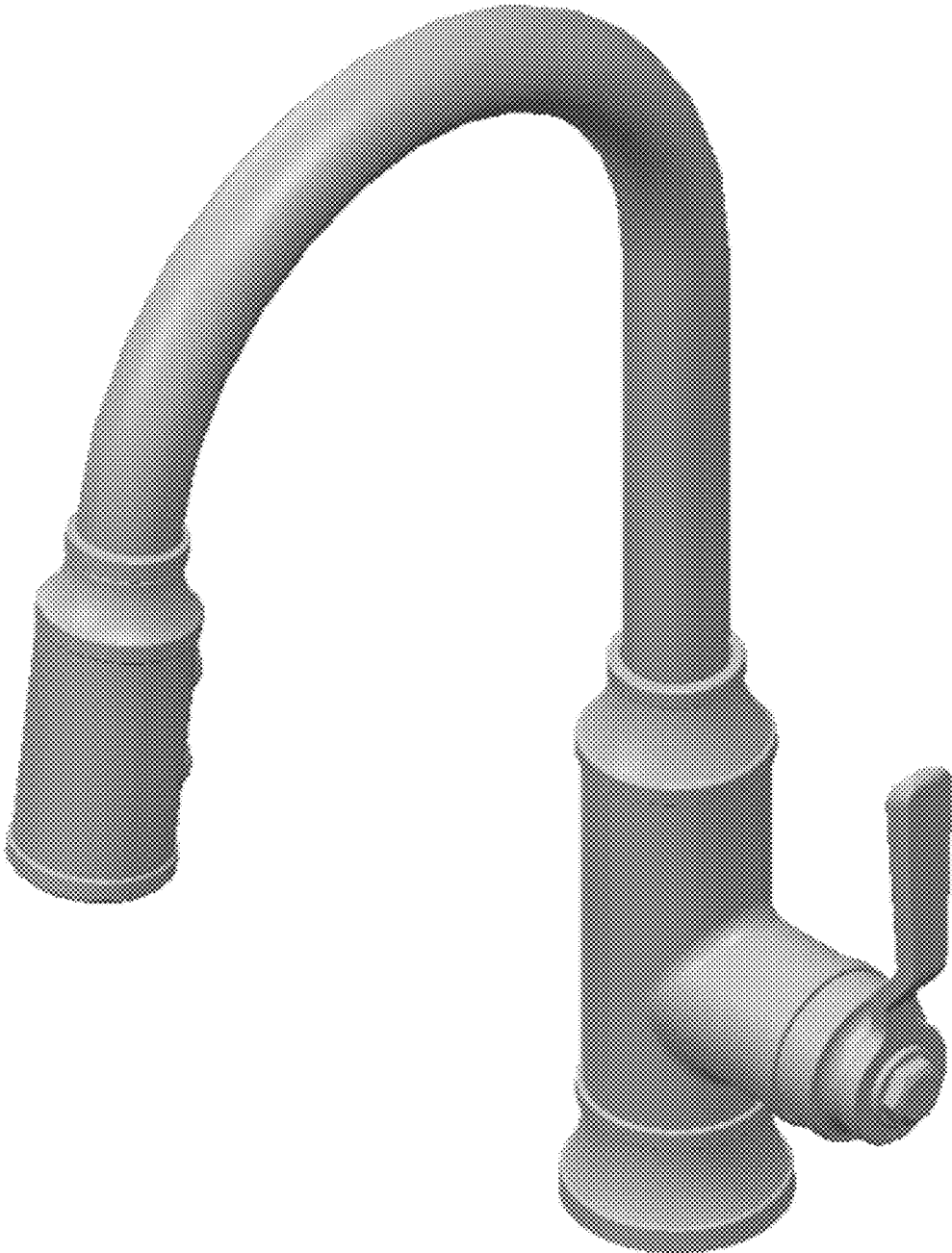


FIG. 1

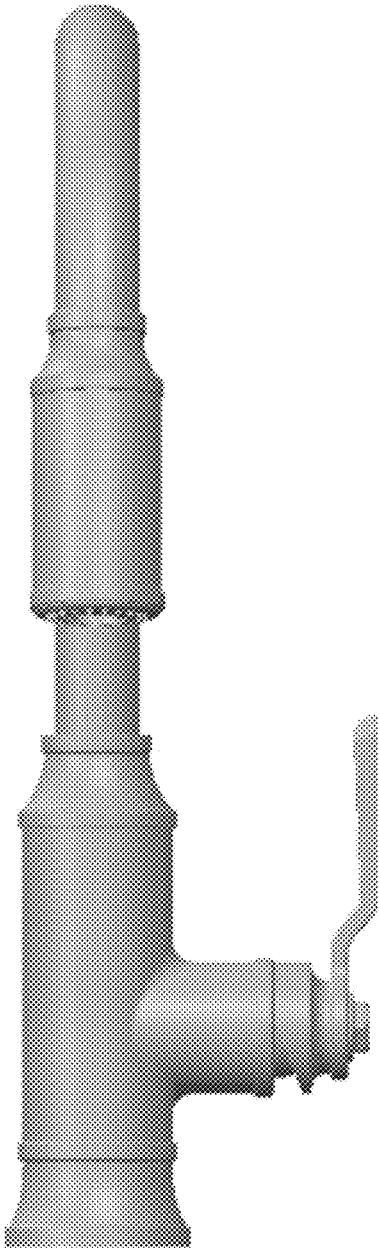


FIG. 2

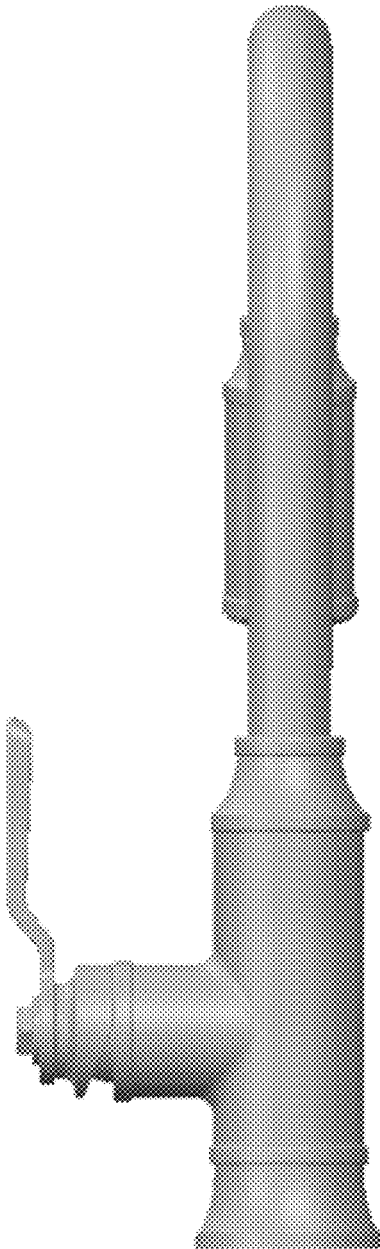


FIG. 3



FIG. 4



FIG. 5

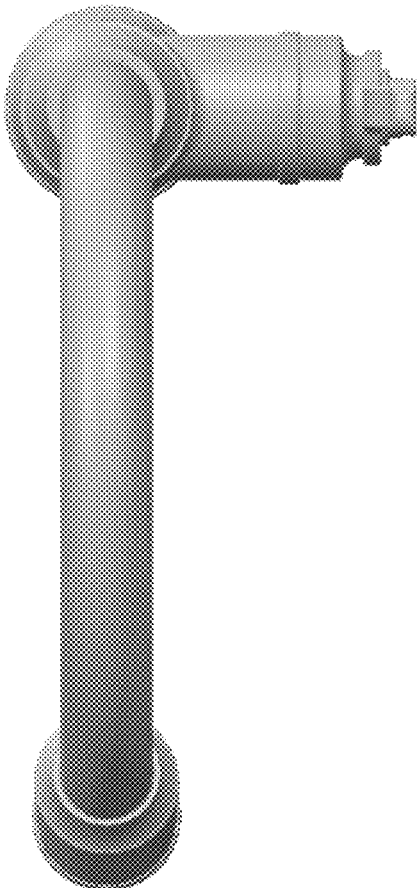


FIG. 6

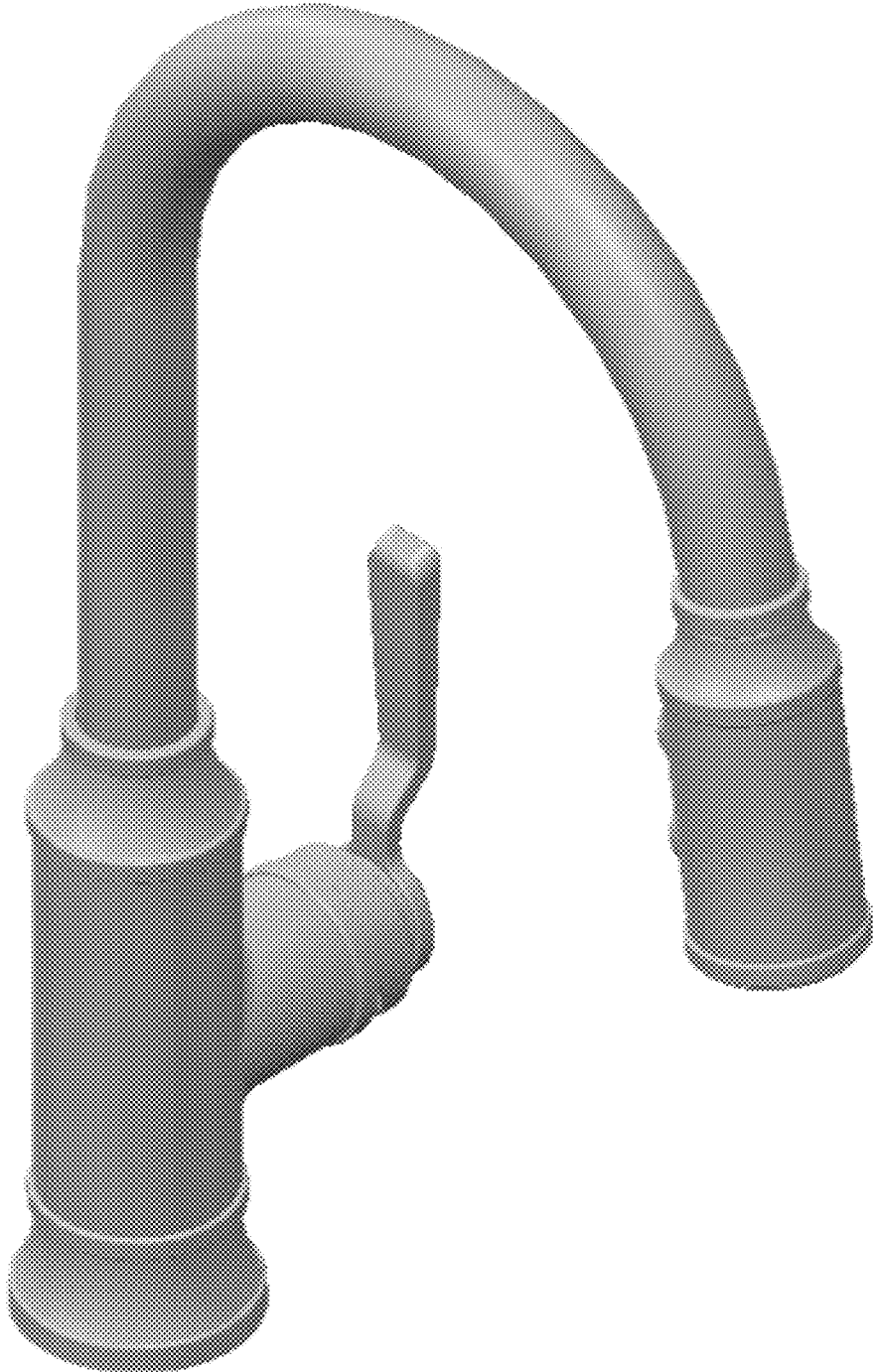


FIG. 7