



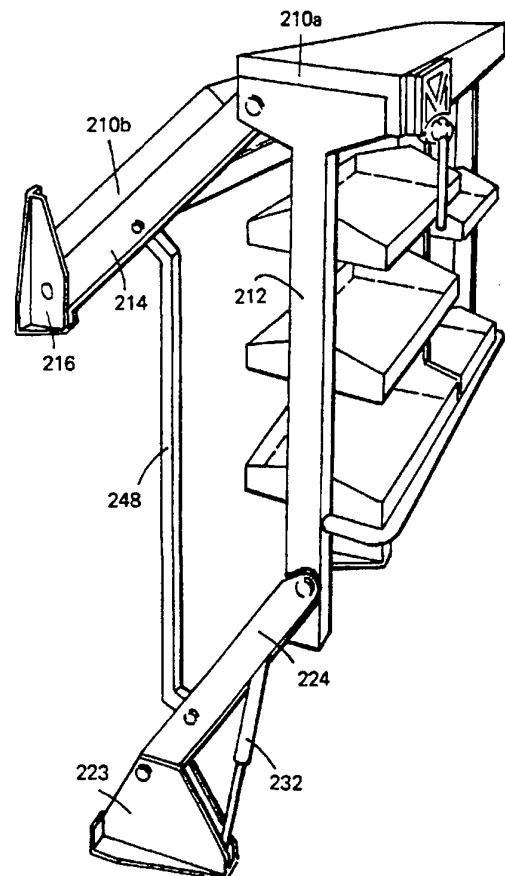
## INTERNATIONAL APPLICATION PUBLISHED UNDER THE PATENT COOPERATION TREATY (PCT)

(51) International Patent Classification <sup>5</sup> : <b>B25H 1/02, A47B 5/04</b>	<b>A1</b>	(11) International Publication Number: <b>WO 94/13438</b> (43) International Publication Date: 23 June 1994 (23.06.94)
<p>(21) International Application Number: PCT/GB93/01340</p> <p>(22) International Filing Date: 25 June 1993 (25.06.93)</p> <p>(30) Priority Data: 9225834.2 10 December 1992 (10.12.92) GB</p> <p>(71)(72) Applicant and Inventor: MALLOWES, Jeffery [GB/GB]; 29 Bedford Street, Hitchin, Hertfordshire SG5 2JG (GB).</p> <p>(74) Agents: ACKROYD, Robert et al.; WP Thompson &amp; Co., Eastcheap House, Central Approach, Letchworth, Hertfordshire SG6 3DS (GB).</p>	<p>(81) Designated States: AU, CA, JP, US, VN, European patent (AT, BE, CH, DE, DK, ES, FR, GB, GR, IE, IT, LU, MC, NL, PT, SE).</p> <p><b>Published</b> <i>With international search report.</i></p>	

(54) Title: FOLDING WORKBENCH

## (57) Abstract

The working surface of the workbench is formed in two parts (210b, 210a). The front part (210a) is of harder-wearing material than the rear. The workbench is attached to a wall and an adjacent floor by brackets (216, 223) and pivots between an operational position (see Figures 1 and 3), in which the working surface is horizontal, and a stored position (see Figures 2 and 4), in which the workbench is raised clear of the floor. Storage shelves remain horizontal and accessible throughout. A gas strut (232) assists raising and lowering. A link (248) assists positioning of the brackets (216, 223) during installation. The workbench can optionally be floor-mounted only (Figure 6) or completely free-standing. The space requirements of the workbench are low, particularly in its stored position.



*FOR THE PURPOSES OF INFORMATION ONLY*

Codes used to identify States party to the PCT on the front pages of pamphlets publishing international applications under the PCT.

AT	Austria	GB	United Kingdom	MR	Mauritania
AU	Australia	GE	Georgia	MW	Malawi
BB	Barbados	GN	Guinea	NE	Niger
BE	Belgium	GR	Greece	NL	Netherlands
BF	Burkina Faso	HU	Hungary	NO	Norway
BG	Bulgaria	IE	Ireland	NZ	New Zealand
BJ	Benin	IT	Italy	PL	Poland
BR	Brazil	JP	Japan	PT	Portugal
BY	Belarus	KE	Kenya	RO	Romania
CA	Canada	KG	Kyrgyzstan	RU	Russian Federation
CF	Central African Republic	KP	Democratic People's Republic of Korea	SD	Sudan
CG	Congo	KR	Republic of Korea	SE	Sweden
CH	Switzerland	KZ	Kazakhstan	SI	Slovenia
CI	Côte d'Ivoire	LI	Liechtenstein	SK	Slovakia
CM	Cameroon	LV	Latvia	SN	Senegal
CN	China	LK	Sri Lanka	TD	Chad
CS	Czechoslovakia	LU	Luxembourg	TG	Togo
CZ	Czech Republic	LV	Latvia	TJ	Tajikistan
DE	Germany	MC	Monaco	TT	Trinidad and Tobago
DK	Denmark	MD	Republic of Moldova	UA	Ukraine
ES	Spain	MG	Madagascar	US	United States of America
FI	Finland	ML	Mali	UZ	Uzbekistan
FR	France	MN	Mongolia	VN	Viet Nam
GA	Gabon				

-1-

## FOLDING WORKBENCH

5 This invention relates to folding workbenches which can be used, for example, in workshops and elsewhere.

An object of the invention is to provide a workbench which can be conveniently folded from an operational position to a stored position and which has low space requirements when stored.

10 The term "workbench" is used throughout this specification and its claims to cover not only articles intended for use as a bench, for example in a workshop, but also uses such as writing, sewing and any other use, domestic, business, or otherwise.

15 According to the invention there is provided a folding workbench comprising a member providing at least part of a working surface, means adjacent a first, rear edge of the working surface member for pivotal attachment of the working surface member to a wall or other rear support means, means spaced  
20 forwardly towards a second, front edge of the working surface member for providing support between the working surface member and a floor or other support surface below in an operational position in which the  
25 working surface of the working surface member extends in a substantially horizontal plane, the front support means being pivotal relative to the working surface member for movement between a supporting position and a folded position adjacent the face of the working  
30 surface member opposite to the working surface, the working surface member being pivotable in use upwardly from its operational position to a stored position in which it extends in a generally vertical plane.

35 Preferably the workbench includes storage means which are foldable with the front support means and

-2-

which are accessible from the front of the workbench in its operational position and remain accessible in its stored position.

5           Advantageously, control means are provided to ensure that movement of the working surface member from its stored to its operational position, and vice-versa, is accompanied by a corresponding movement of the support means between its supporting and folded positions.

10           Preferably, these means are arranged to ensure that the front support means maintains a constant orientation during movement of the working surface member between its two positions. The support means thus undergoes translational motion only.

15           Conveniently, the means controlling the movement of the support means comprises a radius arm which is attached at one of its ends to the support means and at its other end to a fixed anchorage.

20           The anchorage may be on the attachment means, or may be for location elsewhere, for example on the said wall or other rear support means, or on the floor, or other surface, on which the support means acts.

25           Preferably, the or each radius arm forms, together with the portions of the working surface member and the support means between the respective pivots, a parallelogram linkage.

30           Preferably, the attachment means comprises one or more anchorages for attachment to a supporting wall, the working surface member being pivotally attached to the anchorage(s). The workbench is thus wall-mountable.

35           Otherwise, the attachment means may comprise one or more upwardly-extending support members, the lower ends of which engage the support surface and to which the working surface member is pivotally attached at

locations spaced upwardly from the lower ends. The workbench can then be secured to a floor, either adjacent a wall or elsewhere.

5 In another arrangement the workbench is free-standing and the support member(s) form part of a free-standing support frame, to which any radius arms, or other control means components, may also be attached.

10 Counterbalancing means are advantageously provided to compensate for the weight of the workbench when being moved between its operational and its stored positions. The counterbalancing means may take the form of one or more gas springs. The counterbalancing means may be adjustable to compensate for changes in weight, for example caused by loading of any storage  
15 means.

Advantageously, a portion of the working surface adjacent its front edge is formed by part of the support means, the working surface is thus formed in two portions which can conveniently be formed from  
20 different material, for example a harder wearing material such as wood for the front portion and a lighter plastics laminate for the rear portion which tends to have to take less wear-and-tear.

25 The construction just mentioned has the advantage that, when control means as mentioned above are provided, the front portion of the working surface remains horizontal during folding and unfolding of the workbench. Tools and workpieces can therefore be left on this surface during these operations.

30 When a workbench according to the present invention is wall-mounted, it is then foldable for use from a stored position in which the working surface member lies above the attachment means and parallel to the wall. This arrangement has the advantage that the  
35 space beneath the working surface member in its

operational position is not occupied by the workbench in its folded position either, and the corresponding floor space can be used for storage. Any storage means is at a conveniently accessible height in the folded position.

Embodiments of the invention will now be described by way of example with reference to the drawing, in which:

Figure 1 is a perspective view of a folding workbench in its operational position,

Figure 2 is an end view of the workbench of Figure 1, in its folded position,

Figure 3 is a view corresponding to Figure 1 of a second workbench,

Figure 4 is a view corresponding to Figure 2 of the workbench of Figure 3,

Figure 5 is a perspective view of a third workbench, shown between its stored and operational positions, and

Figure 6 is a view corresponding to Figure 5 of a fourth workbench.

The workbench shown in Figures 1 and 2 of the drawings comprises a rectangular working surface 10. The working surface 10 is divided into a front part 10a and a rear part 10b which provide, respectively, approximately one third the depth of the working surface and two thirds of its depth. The front part 10a of the working surface also extends a distance vertically down the front of the workbench. This vertical part 10c and the front part 10a are formed integrally or are joined together and are separate from the rear part 10b which meets the front part 10a with a close fit along a join line 10d. The front and vertical parts 10a, 10c are formed from solid or laminated wood; the rear 10b part is formed from a

plastics laminate material.

The working surface 10 is about 1.2 m wide and about 0.70 m deep.

5 The working surface 10 has at each of its ends a support structure, of which only one is visible in the drawing. Each support structure includes a support leg 12 which has a first, vertical portion 12a and a second, horizontal portion 12b. The vertical part 10c of the working surface is attached to the upper part of the vertical portion 12a of the support leg 12 and the front part 10a to its horizontal part 12b.

10 The support leg 12 terminates at the rearward end of its horizontal portion 12b in a mitred joint where it meets a horizontal end support 14 which is attached to the rear part 10b of the working surface 10. The end support 14 has a mitred joint at its rearward end where it meets an attachment member 16 which is secured to a wall or other convenient vertical support surface.

15 The rearward end of the horizontal part 12b of the support leg 12 is attached to the forward end of the end support 14 by a hinge 18. The rearward end of the end support 14 is attached to the attachment member 16 by a further hinge 20.

20 A strengthening plate 22 is attached to the support leg 12, between its vertical and horizontal portions 12a, 12b. A linking arm 24 is pivotally mounted at its rear end on a bracket fixed to the attachment member 16. Close to its front end, the linking arm 24 is fixed to the strengthening plate 22.

25 Pivot pins 26, 28 secure the arm 24 to the bracket on attachment member 16 and to the strengthening plate 22.

30 The arm 24 extends forwardly beyond the pivot pin 28 and has a right-angled extension part 30 which extends parallel and close to the vertical portion 12a of the support leg 12. The free end of the extension

35

part 30 is pivotally attached to one end of a gas spring 32 which is pivotally attached at its other end to a suitable support bracket further down the vertical part 12a of the support leg 12.

5           The structure at the opposite end of the workbench corresponds exactly to that just described.

          A cross rail 34 joins the vertical parts 12a of the two support legs close to their lower ends. Between the rail 34 and the vertical part 10c of the  
10           working surface, a storage unit is formed by end panels 36a, 36b, a floor panel 38, first and second vertical dividers 40a, 40b and three horizontal shelves 42a, 42b, 42c which, together with the vertical dividers 40a, 40b, partition the storage space into six separate  
15           compartments. The compartments are closed at their rears by a vertical panel which is not visible in the drawing. Any other arrangement of shelves and vertical dividers in the storage space is of course also possible.

20           The storage unit can be fitted with doors, a roller blind or a similar closure which may be lockable. The shelves can be replaced fully or partially with drawers or with a rack for instrumentation. The central part of the storage unit  
25           can be omitted to provide a knee-hole.

          The working surface can be fitted with conventional items such as a vice 46, holes or stops for securing workpieces and tools to the bench.

          Figures 3 and 4 show a second, modified workbench.  
30           The parts of the workbench of Figures 3 and 4 corresponding to those of the workbench of Figures 1 and 2 are designated by reference numerals increased by "100" compared with the reference numerals of Figures 1 and 2. Only the points of difference between the two  
35           workbenches will be described.

-7-

5 Instead of the linking arms 24 extending between the strengthening plates 22 and the attachment members 16, the workbench of Figures 3 and 4 has a pair of swinging radius arms 124, each of which is pivotally attached at 128 to a bracket 122 attached to the lower end of a respective support leg 112. The other end of each swinging arm 124 is pivotally attached at 126 to a bracket 123. A gas spring 132 extends between each bracket 123 and the respective swinging arm 124.

10 The length of the swinging arms 124 is chosen to ensure that the support legs 112 remain vertical during movement between the folded and unfolded positions of the workbench.

15 As a result of these changes, the attachment members 16 are replaced by brackets 116, to which the end supports 114 are pivotally attached at 120. The strengthening plates 22 are dispensed with and instead the horizontal parts 112b of the support legs 112 widen towards their forward ends. The joints between the support legs 112 and the end supports 114 are now formed by the rearward ends of the support legs 112b overlapping the end supports 114.

20 The workbench of Figures 3 and 4 is installed by attachment of the brackets 116 to a convenient wall, or other vertical surface, as before. The brackets 123 are however attached to the floor, or other horizontal surface, at locations to the rear of the support legs 112 and below the end supports 114. This construction of the workbench of Figures 3 and 4 lessens the load placed on the wall or support surface, compared with the workbench of Figures 1 and 2. It is therefore more suitable to applications where the wall would not withstand the load imposed by the workbench of Figures 1 and 2.

35 The third workbench, shown in Figure 5,

corresponds closely to the second workbench. Reference numerals increased by a further "100" are used to indicate corresponding parts. Only the major parts are given reference numerals. The third workbench differs from the second by the presence of an additional link 248 between each end support 214 and its adjacent swinging arm 224. The links 248 have no functional purpose after installation of the workbench but serve to position the wall brackets 216 and the floor brackets 223 correctly relative to each other during installation.

Figure 6 shows a fourth workbench which corresponds closely to the third. Reference numerals increased by another "100" are used to indicate corresponding parts. In this workbench, the brackets 216 and 223 are formed as one-piece supports 350 which have holes 352 for attachment to the floor, to provide for mounting away from a wall. In a further modification, the lower parts of the supports 350 can be made of a size suitable for allowing the workbench to be completely free-standing. A suitable size would be, for example, that attained if the floor-contacting parts of the supports 350 were to extend behind the upright parts in a mirror image of the floor-contacting parts which extend in front and can be seen in Figure 6. A free-standing frame can be provided with castors or other wheels to assist mobility.

In Figures 5 and 6, the storage shelves are replaced by open trays.

Figure 1 shows the first workbench in its operational position, it being understood that the lower end of the support legs 12 are in contact with the floor of, for example, a workshop and that the attachment members 16 are secured to an adjacent wall or other convenient vertical surface.

The height of the workbench from the floor is about 0.85 m.

The folded condition of the workbench is shown in Figure 2, from which it will be seen that folding of the workbench takes place with a movement of the rear part 10b of the working surface 10 about the second hinges 20 in an clockwise direction as seen in Figure 1. This movement is accompanied by a corresponding anti-clockwise movement of the support leg 12 relative to the end support 14 about the axis of the hinges 18. During the folding movement, the portions of the arms 24 between the pins 26, 28 form, together with the attachment members 16, the end supports 14 and the portion of the strengthening plate 22 lying between the hinges 18 and the pins 28, a parallelogram linkage which ensures that the support legs 12 remain in a vertical orientation throughout the folding movement. This in turn ensures that the storage unit at the front of the workbench retains, throughout the folding movement, a position in which its horizontal surfaces remain horizontal. This has the considerable advantage that items placed in the storage unit can remain there during the folding and unfolding movement. The storage means can therefore be utilised continuously with the workbench in either position and during movement from one position to the other. It will also be seen that, during the folding and unfolding movements, the front part 10a of the working surface remains horizontal. Tools or workpieces can therefore be left on this surface during these operations.

The unfolding movement of the workbench is a simple reversal of the folding movement.

The gas springs 32 have a counterbalancing effect and act on the pivot arms 24 during the folding and unfolding movement, in order to assist with the upward

5 movement during folding and to retard the downward  
movement during unfolding. The force of the gas  
springs is chosen to exert a force which is  
insufficient to overcome the turning moment about the  
10 pivots 20 in the operational position but sufficient to  
maintain the workbench in its stored position, in which  
its weight acts at a much lesser distance from the  
pivots 20. The force of the gas springs can be made  
adjustable to compensate for different loads, for  
15 example caused by items in the storage unit. This can  
be achieved, for example by making the positions of the  
lower attachments of the springs adjustable.

The folding and unfolding operations of the  
workbench of Figures 3 and 4 correspond very closely to  
15 those for the workbench of Figures 1 and 2. The gas  
springs 132 assist with the lifting of the workbench  
from the unfolded to the folded condition and retain  
the workbench in the folded condition.

The workbenches shown in Figures 5 and 6 fold and  
20 unfold exactly as the workbench of Figures 3 and 4.

In any of the workbenches, suitable safety catches  
can be fitted to prevent inadvertent folding or  
unfolding of the bench.

Adjustable feet and attachment members can be  
25 provided to compensate for irregularities in the  
support surfaces.

The attachment members in Figures 1 and 2 can, if  
desired, extend above the hinges 20.

The attachments to the wall and, in Figures 3 and  
30 4, to the floor can be replaced by attachments to any  
other convenient supports, for example on a free-  
standing frame.

CLAIMS:

1. A folding workbench comprising a member providing at least part of a working surface, means adjacent a first, rear edge of the working surface member for pivotal attachment of the working surface member to a wall or other rear support means, means spaced forwardly towards a second, front edge of the working surface member for providing support between the working surface member and a floor or other support surface below in an operational position in which the working surface of the working surface member extends in a substantially horizontal plane, the front support means being pivotal relative to the working surface member for movement between a supporting position and a folded position adjacent the face of the working surface member opposite to the working surface, the working surface member being pivotable in use upwardly from its operational position to a stored position in which it extends in a generally vertical plane.
2. A workbench according to claim 1, including storage means which are foldable with the front support means and which are accessible from the front of the workbench in its operational position and remain accessible in its stored position.
3. A workbench according to claim 2, in which the storage means have closure means.
4. A workbench according to any preceding claim, including control means for ensuring that movement of the working surface member between its stored and operational positions is accompanied by a corresponding movement of the support means between its supporting and folded positions.
5. A workbench according to claim 4, in which the control means ensure that the front support means maintains a constant orientation during movement

between its supporting and folded positions.

5           6. A workbench according to claim 5, in which the control means comprises at least one radius arm which is pivotally attached at one of its ends to the front support means and at its other end to a fixed anchorage.

          7. A workbench according to claim 6, in which the other end of the or each radius arm is pivotally attached to the rear attachment means.

10           8. A workbench according to claim 6, in which the other end of the or each radius arm is pivotally attached to an anchorage positioned for attachment to the said support surface.

15           9. A workbench according to any preceding claim, in which the attachment means comprises one or more anchorages for attachment to a supporting wall, the working surface member being pivotally attached to the anchorage(s).

20           10. A workbench according to any of claims 1 to 8, in which the attachment means comprises one or more upwardly-extending support members, the lower ends of which engage the support surface and to which the working surface member is pivotally attached at locations spaced upwardly from the lower ends.

25           11. A workbench according to claim 10, in which the lower end of the or each support member comprises an anchorage positioned for attachment to the said support surface.

30           12. A workbench according to claim 10, in which the support member(s) form a part of a free-standing support frame of the workbench.

          13. A workbench according to claim 6, in which the anchorage(s) form a part of a free-standing support frame of the workbench.

35           14. A workbench according to claims 12 to 13, the

frame having wheel means to assist its mobility.

5 15. A workbench according to any preceding claim, including counterbalancing means to compensate for the weight of the workbench when being moved between its operational and its stored positions.

16. A workbench according to claim 15, in which the counterbalancing means comprise one or more gas springs.

10 17. A workbench according to claim 15 or 16, in which the counterbalancing means are adjustable to compensate for changes in the weight of the working surface member and the support means.

15 18. A workbench according to any preceding claim, in which a portion of the working surface adjacent its front edge is formed as a portion of the support means, whereby the working surface is formed in front and rear portions.

20 19. A workbench according to claim 18, in which the front and rear portions of the working surface are of different materials.

20. A workbench according to claim 19, in which the front portion of the working surface is of harder-wearing material than the rear.

25 21. A folding workbench substantially as hereinbefore described with reference to the drawings.

30

35

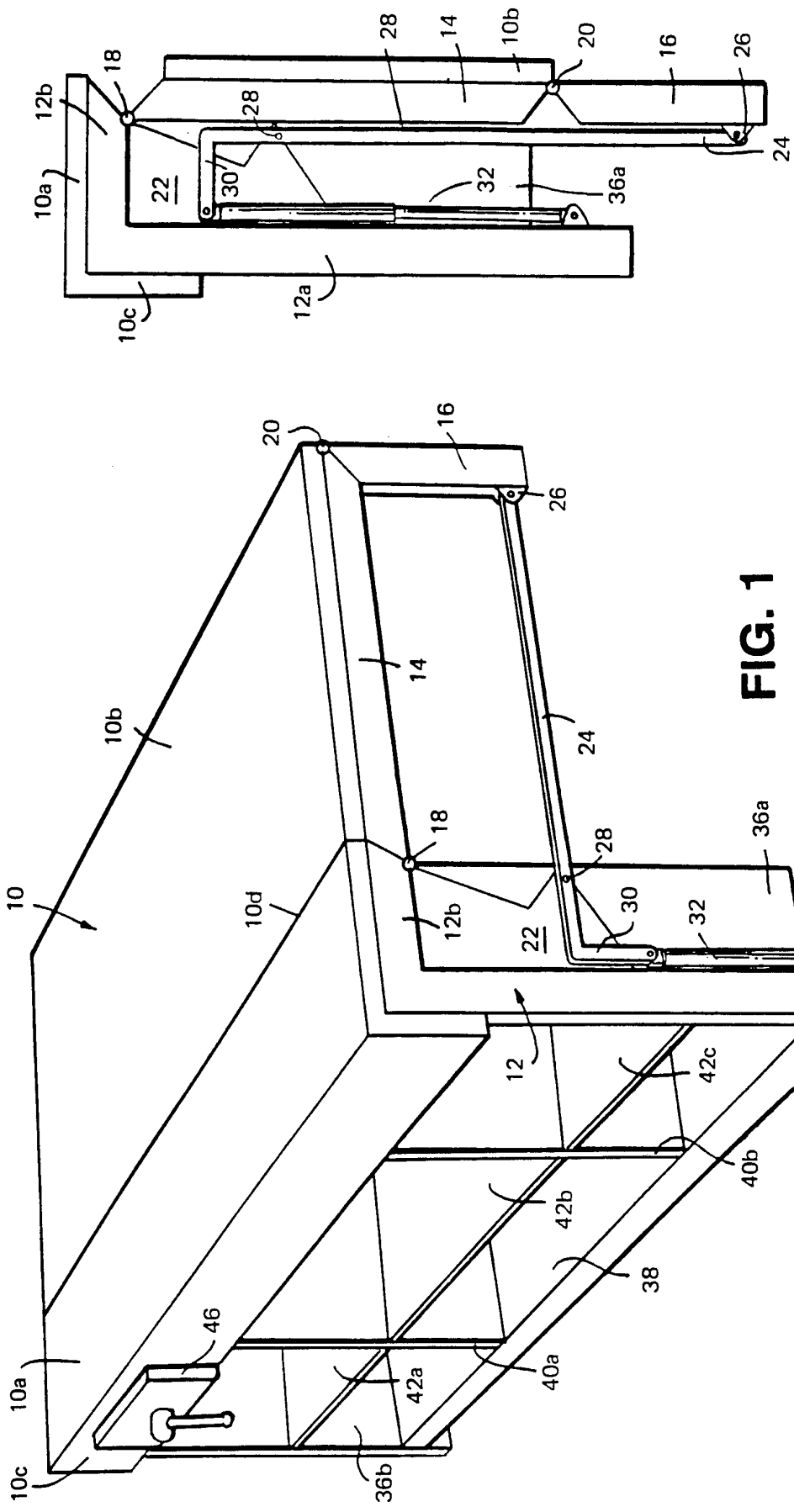
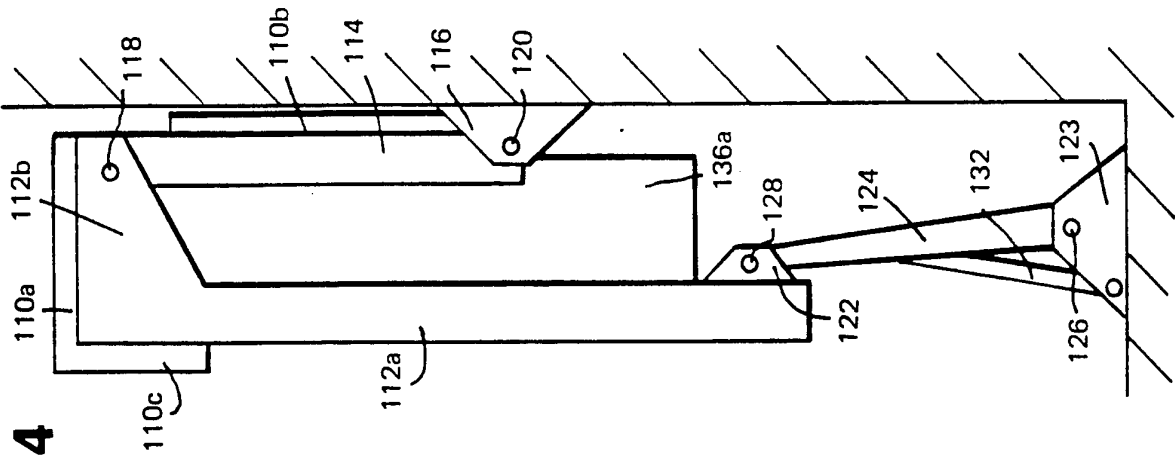
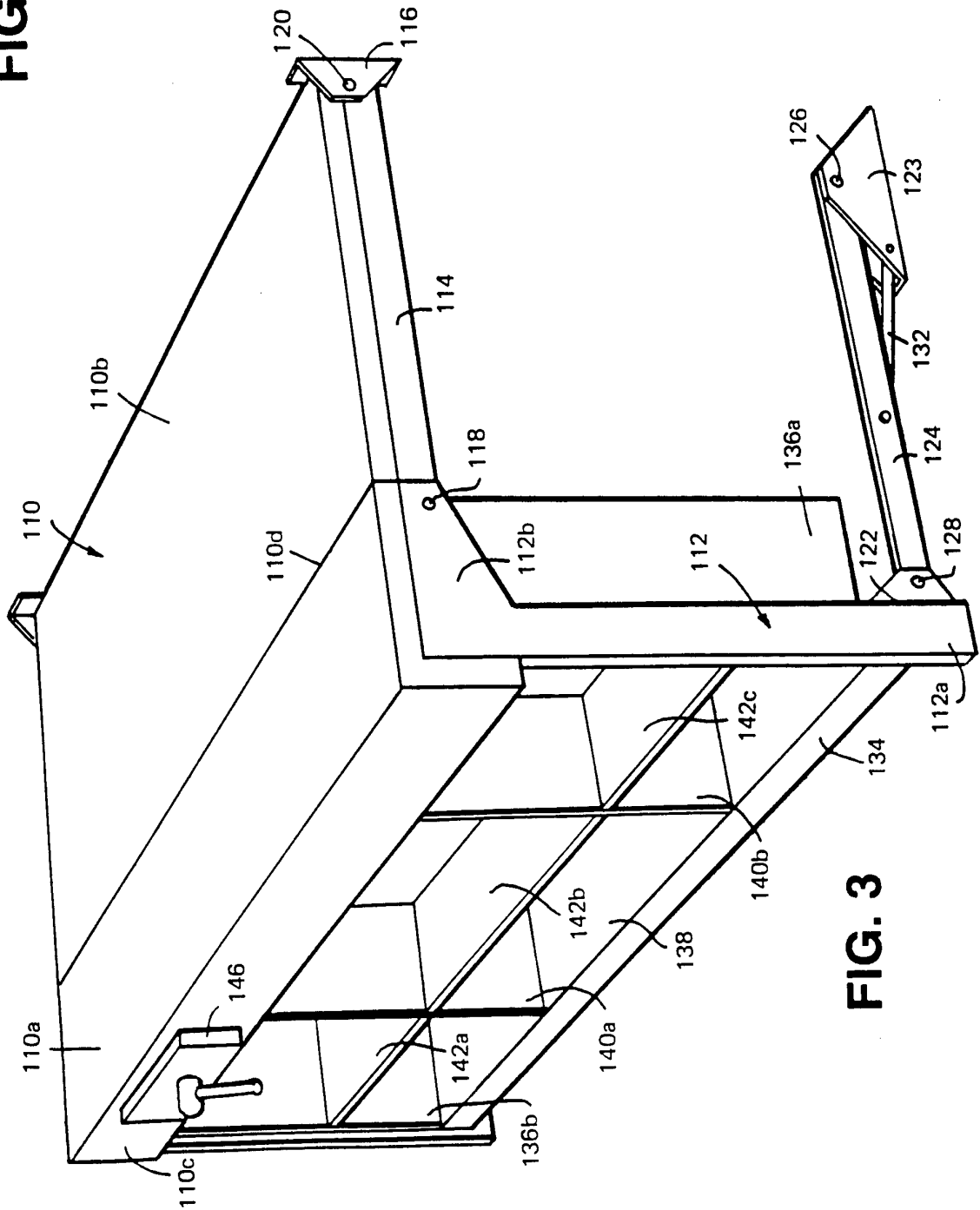


FIG. 1

FIG. 2



**FIG. 4**



**FIG. 3**

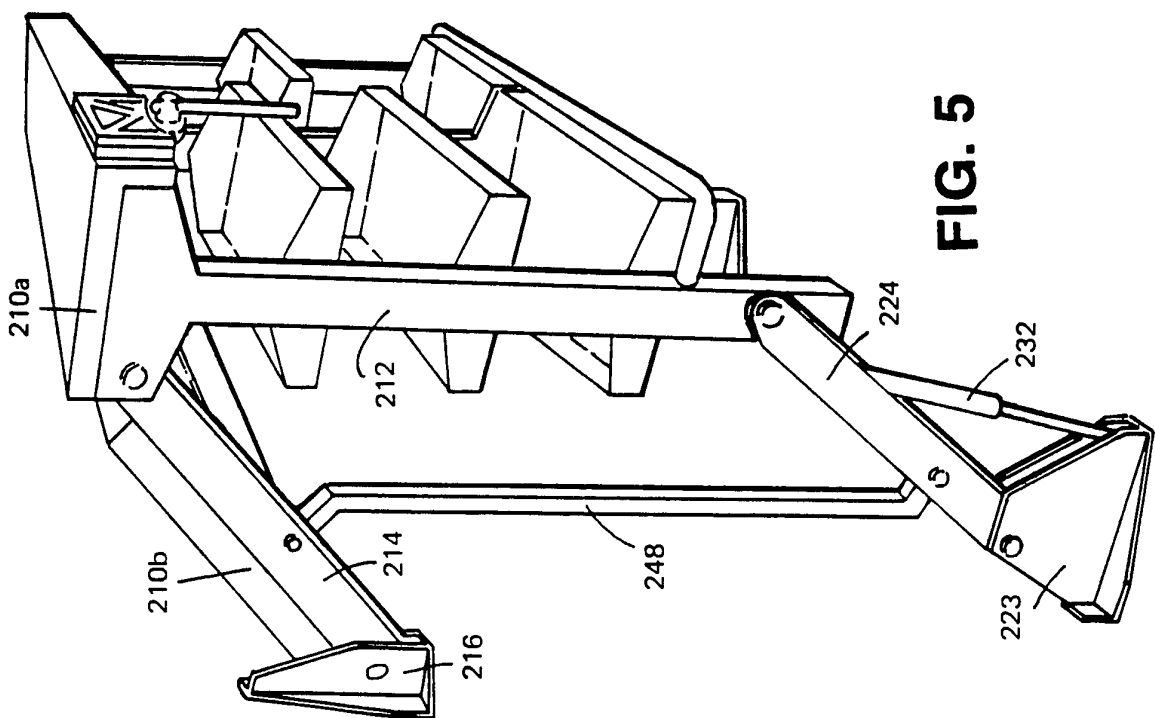


FIG. 5

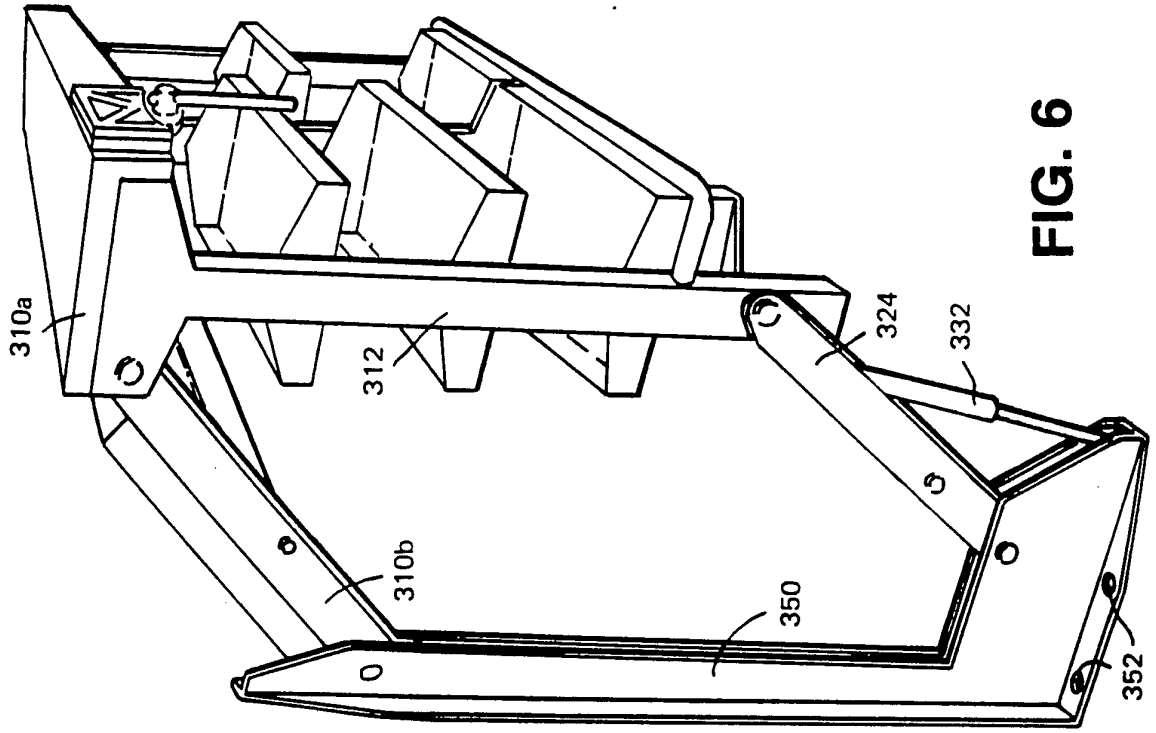


FIG. 6

## INTERNATIONAL SEARCH REPORT

PCT/GB 93/01340

International Application No

I. CLASSIFICATION OF SUBJECT MATTER (if several classification symbols apply, indicate all) <sup>6</sup>		
According to International Patent Classification (IPC) or to both National Classification and IPC Int.Cl. 5 B25H1/02; A47B5/04		
II. FIELDS SEARCHED		
Minimum Documentation Searched <sup>7</sup>		
Classification System	Classification Symbols	
Int.Cl. 5	B25H ; A47B	
Documentation Searched other than Minimum Documentation to the Extent that such Documents are Included in the Fields Searched <sup>8</sup>		
III. DOCUMENTS CONSIDERED TO BE RELEVANT <sup>9</sup>		
Category <sup>o</sup>	Citation of Document, <sup>11</sup> with indication, where appropriate, of the relevant passages <sup>12</sup>	Relevant to Claim No. <sup>13</sup>
X	US,A,1 688 533 (EGER) 23 October 1928	1,4-7, 10,12,13
Y	see figures 1-3	2,9, 14-16,18
X	US,A,4 136 622 (BUE ET AL) 30 January 1979 see abstract; figures 2,11,13	1,10,11
Y	GB,A,2 102 277 (BELLAMY) 2 February 1983	2,9,18
Y	DE,U,8 600 534 (KNÖBEL & SÖHNE KG) 27 February 1986 see page 15, last paragraph; figure 7	15,16
	-/--	
<p><sup>o</sup> Special categories of cited documents :<sup>10</sup></p> <p>"A" document defining the general state of the art which is not considered to be of particular relevance</p> <p>"E" earlier document but published on or after the international filing date</p> <p>"I" document which may throw doubts on priority claim(s) or which is cited to establish the publication date of another citation or other special reason (as specified)</p> <p>"O" document referring to an oral disclosure, use, exhibition or other means</p> <p>"P" document published prior to the international filing date but later than the priority date claimed</p> <p>"T" later document published after the international filing date or priority date and not in conflict with the application but cited to understand the principle or theory underlying the invention</p> <p>"X" document of particular relevance; the claimed invention cannot be considered novel or cannot be considered to involve an inventive step</p> <p>"Y" document of particular relevance; the claimed invention cannot be considered to involve an inventive step when the document is combined with one or more other such documents, such combination being obvious to a person skilled in the art.</p> <p>"&amp;" document member of the same patent family</p>		
IV. CERTIFICATION		
Date of the Actual Completion of the International Search	Date of Mailing of this International Search Report	
24 SEPTEMBER 1993	01.10.93	
International Searching Authority	Signature of Authorized Officer	
EUROPEAN PATENT OFFICE	PETERSSON M.	

III. DOCUMENTS CONSIDERED TO BE RELEVANT (CONTINUED FROM THE SECOND SHEET)		
Category °	Citation of Document, with indication, where appropriate, of the relevant passages	Relevant to Claim No.
Y	US,A,3 267 885 (SHORE) 23 August 1966 see column 3, line 28 - line 37; figures 1,2	14
A	US,A,2 716 044 (OVERBY) 23 August 1955 see figures 1,3,4	1

**ANNEX TO THE INTERNATIONAL SEARCH REPORT  
ON INTERNATIONAL PATENT APPLICATION NO.**

GB 9301340  
SA 75644

This annex lists the patent family members relating to the patent documents cited in the above-mentioned international search report. The members are as contained in the European Patent Office EDP file on  
The European Patent Office is in no way liable for these particulars which are merely given for the purpose of information. 24/09/93

Patent document cited in search report	Publication date	Patent family member(s)	Publication date
US-A-1688533		None	
US-A-4136622	30-01-79	US-A- 4100858 AU-B- 507771 AU-A- 3253678 CA-A- 1087238 DE-A, C 2802177 FR-A, B 2377784 GB-A- 1578686 JP-C- 1133090 JP-A- 53093959 JP-B- 57023489	18-07-78 28-02-80 18-10-79 07-10-80 27-07-78 18-08-78 05-11-80 27-01-83 17-08-78 19-05-82
GB-A-2102277	02-02-83	None	
DE-U-8600534	27-02-86	None	
US-A-3267885		None	
US-A-2716044		None	

EPO FORM P0479

For more details about this annex : see Official Journal of the European Patent Office, No. 12/82