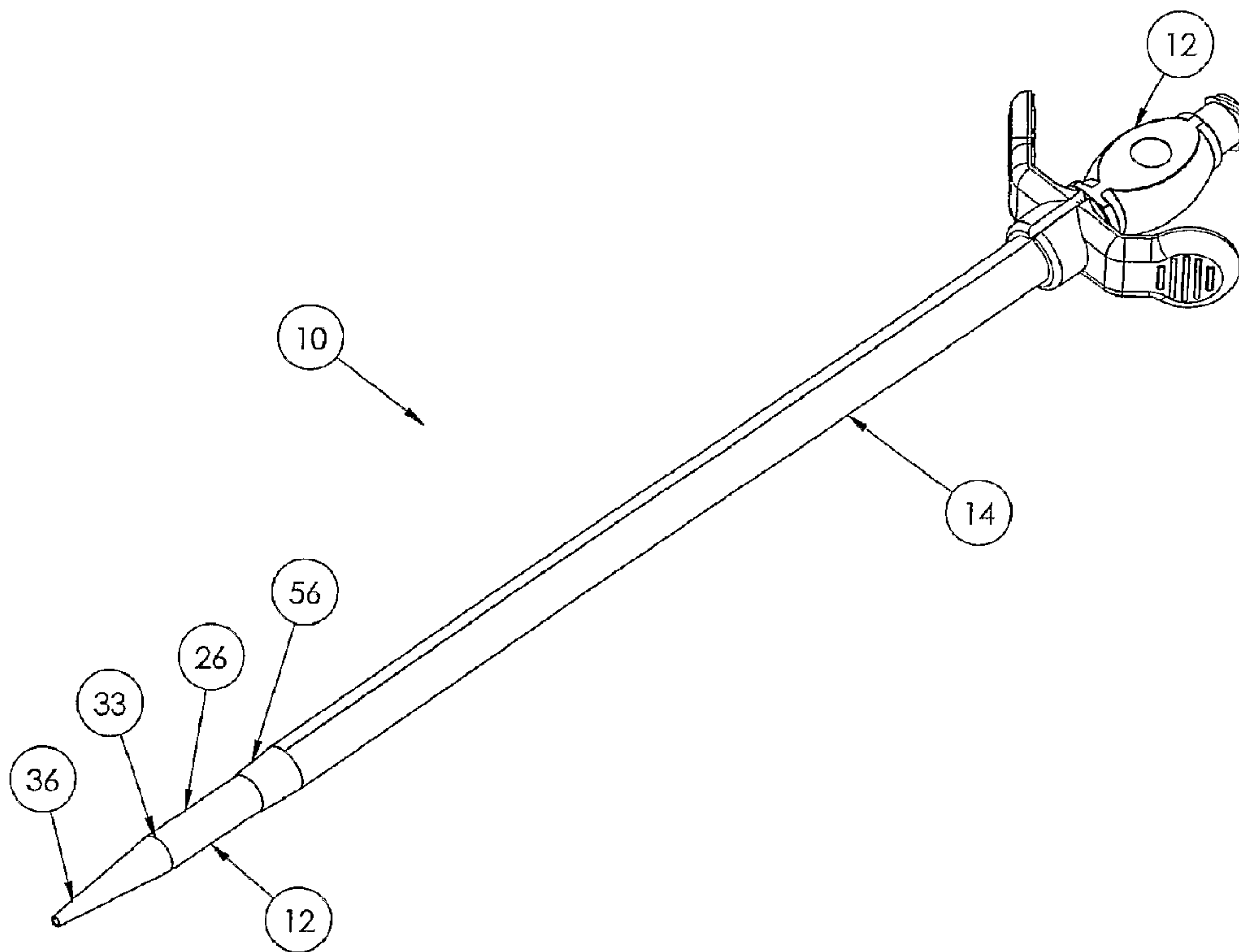




(86) Date de dépôt PCT/PCT Filing Date: 2003/08/28
 (87) Date publication PCT/PCT Publication Date: 2004/03/11
 (45) Date de délivrance/Issue Date: 2009/07/14
 (85) Entrée phase nationale/National Entry: 2005/02/17
 (86) N° demande PCT/PCT Application No.: US 2003/026949
 (87) N° publication PCT/PCT Publication No.: 2004/019760
 (30) Priorité/Priority: 2002/08/29 (US60/406,740)

(51) Cl.Int./Int.Cl. *A61M 29/00* (2006.01),
A61M 25/01 (2006.01)
 (72) Inventeur/Inventor:
NARDEO, MAHASE, US
 (73) Propriétaire/Owner:
MEDICAL COMPONENTS, INC., US
 (74) Agent: SMART & BIGGAR

(54) Titre : ENSEMBLE DILATATEUR SE VERROUILLANT DE MANIERE LIBERABLE ET GAINE
 (54) Title: RELEASABLY LOCKING DILATOR AND SHEATH ASSEMBLY



(57) **Abrégé/Abstract:**

A releasably locking dilator and sheath assembly and methods for releasing the dilator from the sheath and longitudinally splitting the sheath are provided. The assembly includes a dilator having a dilator hub and a sheath having a sheath hub. The sheath hub has two opposing winged tabs, each tab having a perpendicular portion and an angled portion as well as a female threaded portion. The dilator hub has a male threaded portion designed to engage the female threaded portion of the sheath hub. The dilator is released from the sheath by rotating the dilator 90° in relation to the sheath and pulling the dilator out of the sheath. The sheath is longitudinally split by creating a couple on each of the winged tabs thereby forcing the sheath and the sheath hub to split longitudinally. With the sheath and sheath hub split longitudinally, the sheath is removed from around a catheter while leaving the catheter in place.

(12) INTERNATIONAL APPLICATION PUBLISHED UNDER THE PATENT COOPERATION TREATY (PCT)

(19) World Intellectual Property
Organization
International Bureau



(43) International Publication Date
11 March 2004 (11.03.2004)

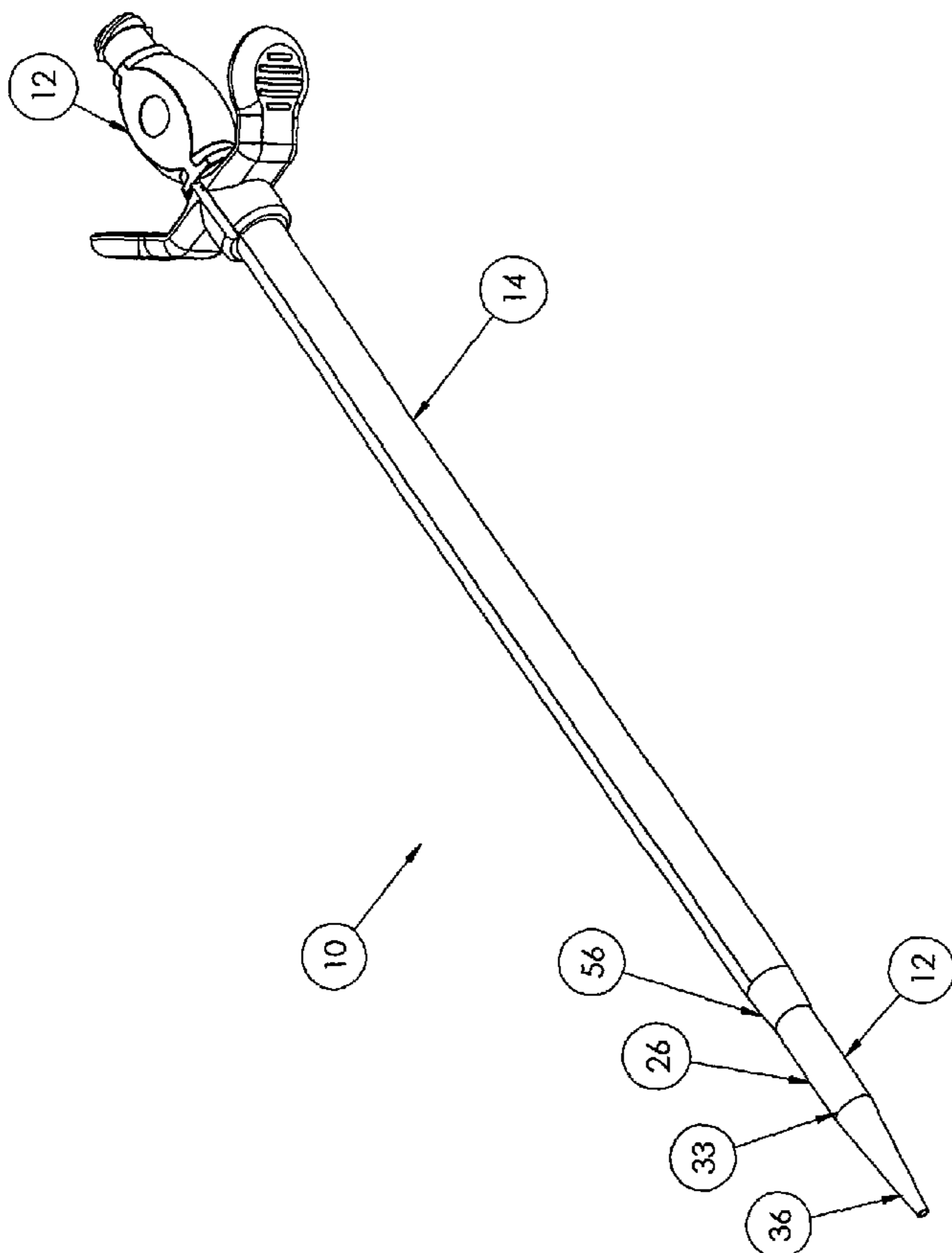
PCT

(10) International Publication Number
WO 2004/019760 A3

- (51) International Patent Classification⁷: **A61M 29/00**
- (21) International Application Number:
PCT/US2003/026949
- (22) International Filing Date: 28 August 2003 (28.08.2003)
- (25) Filing Language: English
- (26) Publication Language: English
- (30) Priority Data:
60/406,740 29 August 2002 (29.08.2002) US
- (71) Applicant (for all designated States except US): **MEDICAL COMPONENTS, INC.** [US/US]; 1499 Delp Drive, Harleysville, PA 19438 (US).
- (72) Inventor; and
- (75) Inventor/Applicant (for US only): **NARDEO, Mahase** [US/US]; 3842 Ashley Court, Collegeville, PA 19428 (US).
- (74) Agent: **MAENNER, Joseph, E.**; Monte & McGraw, P.C., P.O. Box 650, 4092 Skippack Pike, Skippack, PA 19474 (US).
- (81) Designated States (*national*): AE, AG, AL, AM, AT, AU, AZ, BA, BB, BG, BR, BY, BZ, CA, CH, CN, CO, CR, CU, CZ, DE, DK, DM, DZ, EC, EE, ES, FI, GB, GD, GE, GH, GM, HR, HU, ID, IL, IN, IS, JP, KE, KG, KP, KR, KZ, LC, LK, LR, LS, LT, LU, LV, MA, MD, MG, MK, MN, MW, MX, MZ, NO, NZ, OM, PH, PL, PT, RO, RU, SC, SD, SE, SG, SK, SL, TJ, TM, TN, TR, TT, TZ, UA, UG, US, UZ, VC, VN, YU, ZA, ZM, ZW.
- (84) Designated States (*regional*): ARIPO patent (GH, GM, KE, LS, MW, MZ, SD, SL, SZ, TZ, UG, ZM, ZW), Eurasian patent (AM, AZ, BY, KG, KZ, MD, RU, TJ, TM), European patent (AT, BE, BG, CH, CY, CZ, DE, DK, EE, ES, FI, FR, GB, GR, HU, IE, IT, LU, MC, NL, PT, RO, SE, SI, SK, TR), OAPI patent (BF, BJ, CF, CG, CI, CM, GA, GN, GQ, GW, ML, MR, NE, SN, TD, TG).

[Continued on next page]

(54) Title: RELEASABLY LOCKING DILATOR AND SHEATH ASSEMBLY



(57) Abstract: A releasably locking dilator and sheath assembly and methods for releasing the dilator from the sheath and longitudinally splitting the sheath are provided. The assembly includes a dilator having a dilator hub and a sheath having a sheath hub. The sheath hub has two opposing winged tabs, each tab having a perpendicular portion and an angled portion as well as a female threaded portion. The dilator hub has a male threaded portion designed to engage the female threaded portion of the sheath hub. The dilator is released from the sheath by rotating the dilator 90° in relation to the sheath and pulling the dilator out of the sheath. The sheath is longitudinally split by creating a couple on each of the winged tabs thereby forcing the sheath and the sheath hub to split longitudinally. With the sheath and sheath hub split longitudinally, the sheath is removed from around a catheter while leaving the catheter in place.

WO 2004/019760 A3

WO 2004/019760 A3



Published:

— *with international search report*

(88) Date of publication of the international search report:
19 August 2004

For two-letter codes and other abbreviations, refer to the "Guidance Notes on Codes and Abbreviations" appearing at the beginning of each regular issue of the PCT Gazette.

TITLE OF THE INVENTION

Releasably Locking Dilator and Sheath Assembly

FIELD OF THE INVENTION

[0002] This invention relates to invasive medical devices which aid in the catheterization of human blood vessels. In particular, this invention relates to a releasably locking dilator and tear away sheath assembly, which is used to enlarge an opening in a patient's blood vessel during insertion of a catheter into the blood vessel and then guide the catheter into the blood vessel to be catheterized.

BACKGROUND OF THE INVENTION

[0003] Catheters are used in numerous medical procedures. In particular, catheters are used for the introduction or removal of fluids from various venous regions and vessels throughout the body, such as for hemodialysis. The procedure by which these catheters are introduced to the body is delicate and complex. One particularly intricate challenge to catheterization is enlarging a hole in the flesh and vessel to be catheterized while minimizing blood loss and trauma to the patient.

[0004] Generally, to insert any catheter in a blood vessel, the vessel is identified by aspiration with a long hollow needle in accordance with the Seldinger technique. When blood

enters a syringe attached to the needle, indicating that the vessel has been found, a thin guide wire is then introduced, typically through the syringe needle or other introducer device, into the interior of the vessel. The introducer device is then removed, leaving the guide wire within the vessel. The guide wire projects beyond the surface of the skin.

[0005] At this point, several options are available to a physician for catheter placement. The simplest option is to pass a catheter into the vessel directly over the guide wire. The guide wire is then removed. However, use of this technique is only possible in cases where the catheter is of a relatively small diameter, made of a stiff material and not significantly larger than the guide wire. If, however, the catheter is of a relatively large diameter and/or not made of a stiff material, one preferable method of inserting the catheter into the vessel is through an introducer sheath. The introducer sheath is simply a large, stiff thin-walled tube, which serves as a temporary conduit for the catheter that is being placed. The sheath is positioned by placing a dilator, which has a hollow passageway along its longitudinal axis, inside of the sheath and passing both the dilator and the sheath together into the vessel over the guide wire. The dilator expands the opening in the blood vessel to allow for catheter insertion into the vessel. The guide wire and dilator are then removed, leaving the thin-walled sheath in place. The catheter is then inserted through the sheath.

[0006] In a setting where a catheter with a hub or other attachment at the end of the catheter has a feature which is larger than that of the inner diameter of the sheath, it is necessary to have a tear-away sheath that can be split away from the catheter as the sheath is being removed from the patient. By splitting the sheath along its longitudinal axis as the sheath is being removed from the patient, the inserting physician will be able to pull out the sheath in such a way that the portion removed from the patient is split, thereby not interfering with any encumbrances on the catheter. Generally, tear away sheaths are manufactured in a way that aids in the tearing of the

sheath at two opposing points on the circumference of the sheath, thereby splitting the sheath into two halves separated longitudinally through the center of the sheath.

[0007] A sheath is generally constructed with a hub at its proximal end. This hub serves as a handle, a mating point for a dilator, and a flat surface to aid in the prevention of blood loss or contamination. When a sheath needs to be split apart in order to be successfully withdrawn from the body while leaving the catheter in place, the hub will also have to be split apart in order to clear the catheter. Preferably, the hub will split along the same lines as the sheath. To accomplish this, the hub must be designed with reveals or other weaknesses along two longitudinal lines aligned with the weaknesses in the sheath. Some previous examples of these weaknesses are tabs or webs which connect two halves of the hub, or recesses in the material comprising the hub. The weaknesses in the hub will help the inserting physician to break apart the hub in line with the tear seams on the sheath.

[0008] Another important facet of the hub is a set of tabs that protrude from the center. These tabs not only help the inserting physician to align, insert and withdraw the sheath, but also to pull the sheath so that the sheath can be removed from around a catheter while still leaving the catheter in place. There are a number of different tab configurations, but it is important to have one which allows for easy maneuverability, control, and leverage. One design includes a hub wherein the tabs protrude from the hub perpendicular to a plane which includes the tear seams in the sheath and the longitudinal axis of the sheath. In this design, the tabs are diametrically opposed from each other and are spaced in such a way that when the tabs are grasped and pulled apart from each other, the sheath and its hub will split down the middle. Another desirable feature of the tabs is that the tabs provide leverage for breaking apart the hub in a manner that does not cause trauma to the incision in the body.

[0009] In the case where a sheath does not have a small diameter or a narrow point, the dilator is often used to aid in the insertion of the sheath. The dilator has a long tubular section, the outside diameter of which is slightly smaller than the inside diameter of the sheath. The dilator also has a pointed tip on its distal end and a hollow center, which runs along the entire length of the dilator. The dilator is inserted into the body with the guidewire running through its center, thereby allowing the tip of the dilator to follow the guidewire to the place that is to be catheterized. On its proximal end, the dilator may have a hub. Like the hub of the sheath, this hub can also serve a number of purposes, such as providing a stable handle to aid in guiding the dilator into the vein, and as a mechanism which can mate with the sheath hub to form a locked connection.

[0010] Some dilator and sheath assemblies that include a connection between the dilator and sheath are known. U.S. Patent No. 5,885,217 to Gisselberg et al. discloses a dilator and sheath assembly, wherein the dilator and sheath are held together by locking tabs which provide a stop to hold the dilator in place during insertion. However, in this configuration, the dilator may rotate about its longitudinal axis in relation to the sheath, thereby inadvertently and prematurely disengaging the dilator from the sheath. U.S. Patent No. 5,098,392 to Fleischhacker et al. discloses a dilator and sheath assembly, wherein the dilator is attached to the sheath through a clamp wherein the clamp is part of the dilator hub. However, this design presents the ability to come unclamped leading to the dilator backing out of the sheath. U.S. Patent No. 4,772,266 to Groshong discloses a dilator and sheath assembly, wherein the hubs of the dilator and the sheath lock together by means of compression. However, it would be possible for the dilator to back out of the sheath in this configuration if excessive force is exerted on the tip of the dilator.

[0011] It would be beneficial to provide a dilator and sheath assembly that incorporates a stable releasably locking mechanism to prevent the dilator from backing out of the sheath

longitudinally during insertion which is not prone to coming unlocked or releasing during use. Moreover, it would be beneficial for this type of mechanism to have handles, which allow the inserting physician to gain leverage in the process of splitting the sheath apart.

BRIEF SUMMARY OF THE INVENTION

[0012] Briefly, the present invention provides a releasably locking dilator and sheath assembly and methods for releasing the dilator from the sheath and longitudinally splitting the sheath in the course of inserting a catheter into a desired vessel to be catheterized.

[0013] In one aspect, the invention provides a dilator and sheath assembly comprising: (a) a dilator having: (1) an elongated dilator stem having a proximal dilator end; and (2) a dilator hub fixedly connected to the proximal dilator end, wherein the dilator hub is a single body and includes a threaded portion at a distal portion thereof; and (b) a sheath having: (1) an elongated tubular portion having a proximal sheath end, a distal sheath end, and a longitudinal axis extending between the proximal sheath end and the distal sheath end, wherein the tubular portion is sized to frictionally retain the dilator stem; (2) at least one tear seam extending in a plane between the proximal sheath end and the distal sheath end; and (3) a sheath hub fixedly connected to the proximal sheath end, wherein the sheath hub includes a proximal portion and a mating threaded portion at a proximal end thereof; wherein the threaded portion of the dilator hub is directly received by the mating threaded portion of the sheath hub to provide a direct and releasably locking engagement between the dilator and the sheath.

[0013a] The invention also provides A dilator and sheath assembly comprising: (a) a dilator having: (1) an elongated dilator stem having a proximal dilator end; and (2) a dilator hub fixedly connected to the proximal dilator end, wherein the dilator hub

includes a threaded portion at a distal portion thereof; and (b) a sheath having: (1) an elongated tubular portion having a proximal sheath end, a distal sheath end, and a longitudinal axis extending between the proximal sheath end and the distal sheath end, wherein the tubular portion is sized to frictionally retain the dilator stem; (2) at least one tear seam extending in a plane between the proximal sheath end and the distal sheath end; and (3) a sheath hub fixedly connected to the proximal sheath end, wherein the sheath hub includes a proximal portion and a mating threaded portion at a proximal end thereof, wherein the threaded portion of the dilator hub and the mating threaded portion of the sheath hub provide a releasably locking engagement between the dilator and the sheath, wherein the sheath hub comprises a flush surface at the proximal portion thereof; wherein the flush surface is perpendicular to the longitudinal axis of the tubular sheath, wherein the flush surface is generally flat around an entire circumference of an opening in the sheath hub, and wherein the opening defines a proximal end of the tubular portion.

[0014] The invention further provides a dilator and sheath assembly comprising: (a) a dilator having: (1) an elongated dilator stem having a proximal dilator end; and (2) a dilator hub comprised of a single body fixedly connected to the proximal dilator end; (b) a sheath having: (1) an elongated tubular portion having a longitudinal axis, a proximal sheath end and a distal sheath end, wherein the tubular portion is sized to frictionally retain the dilator stem; (2) at least one tear seam extending in a plane between the proximal sheath end and the distal sheath end; and (3) a sheath hub fixedly connected to the proximal sheath end; and (c) a means for providing a releasably locking engagement between the distal portion of the dilator hub and the proximate portion of the sheath hub wherein the distal portion of the dilator hub and the proximate

portion of the sheath hub are in a direct locking engagement such that the distal portion of the dilator hub is directly received by the proximate portion of the sheath hub.

[0015] The invention further comprises a dilator and sheath assembly comprising: (a) a dilator comprised of a single body having an elongated dilator stem, a proximal dilator end and a dilator hub fixedly connected to the proximal dilator end, wherein the dilator hub includes a threaded portion at a distal portion thereof; and (b) a sheath having: (i) a proximal sheath end, a distal sheath end and an elongated tubular portion having a longitudinal axis extending between the proximal sheath end and the distal sheath end; (ii) two tear seams extending along the tubular portion between the proximal sheath end and the distal sheath end, wherein the two tear seams are located on opposite sides of the sheath and are in a plane containing the longitudinal axis of the sheath; and (iii) a first and second opposing sheath hub portions, wherein each of the first and second sheath hub portions comprise an inverted semicircular edge fixedly connected to the sheath, whereby the first and second sheath hub portions generally encircle the tubular sheath and whereby there are small spaces between the first and second sheath hub portions, wherein the spaces between the first and second sheath hub portions are aligned with the two tear seams on the sheath; wherein each of the first and second sheath hub portions comprise a threaded portion at a proximal end thereof, whereby the first and second threaded portions form a circular threaded portion forming the proximal end of the sheath, and whereby the threaded portion of the sheath receives the dilator hub so as to be directly matable with the threaded portion of the dilator hub to provide a releasably locking engagement between the dilator and the sheath.

[0016] In another aspect, the invention further provides a method of separating a dilator from a sheath comprising: (a) providing a dilator comprising a single body having a dilator stem extending along a longitudinal axis and a dilator hub

connected to a proximal end of the dilator stem, wherein the dilator hub comprises a male threaded portion; (b) providing a sheath having a sheath hub comprising a female threaded portion and winged tabs having a perpendicular portion and an angled portion, whereby the dilator is releasably connected to the sheath by mating the threads on the dilator hub to the threads on the sheath hub such that the dilator hub is directly receivable by the sheath hub and directly connected to the sheath hub; (c) rotating the dilator around the longitudinal axis in relation to the sheath, thereby unthreading the male threaded portion from the female threaded portion; and (d) disengaging the dilator from the sheath.

[0017] In another aspect, the invention further provides a method of removing a sheath from around a catheter assembly, wherein the catheter assembly and sheath are both partially disposed inside of a desired vessel to be catheterized, the sheath having: (a) a longitudinal axis; (b) a distal portion having a distal tip with a hollow portion aligned with the longitudinal axis of the sheath; (c) an elongated tubular structure comprising a hollow passageway traversing the entire longitudinal axis of the sheath; (d) a proximal portion comprising a proximal tip at the proximal end thereof and a hollow passageway along the longitudinal axis of the sheath; (e) two opposing tear seams running entire length of the sheath and coplanar with the longitudinal axis of the sheath; and (f) a sheath hub fixedly connected to the proximal portion of the sheath, the sheath hub comprising: (i) a threaded portion for mating with threads on a single body dilator hub in a locking engagement such that the dilator hub is directly received by the proximate portion of the sheath hub; (ii) two opposing reveals disposed parallel to the longitudinal axis of the tubular sheath and are coplanar with the tear seams running along the surface of the sheath and the longitudinal axis of the sheath; (iii) two opposing winged tabs, each tab includes a perpendicular portion and an angled portion,

the perpendicular portion extending laterally from the sheath hub in a plane perpendicular to the plane containing the longitudinal axis of the sheath and the two opposing reveals and the angled portion of the tab extending from the perpendicular portion, wherein an angle between the proximal surface of the perpendicular portion and the angled portion is between 90° and 179° ; the method comprising: (A) applying a distal force to the proximal surface of the angled portion of each of the winged tabs; (B) applying a proximal force to the distal surface of each of the tabs at a point on the tab closer to the center of the sheath than the point upon which the distal force is applied to the proximal surface; (C) grasping the tabs of the sheath and pulling them outward from the center of the sheath thereby separating the sheath into two halves along the tear seams running the length of the sheath; and (D) pulling the sheath in a proximal direction.

BRIEF DESCRIPTION OF THE DRAWINGS

[0018] The accompanying drawings, which are incorporated herein and constitute part of this specification, illustrate the presently preferred embodiments of the invention, and, together with the general description given above and the detailed description given below, serve to explain the features of the invention. In the drawings:

[0019] Fig. 1 is a perspective view of a releasably locking dilator and sheath assembly in a locked state in accordance with an embodiment of the present invention.

[0020] Fig. 2 is a perspective view of the sheath only, from Fig. 1.

[0021] Fig. 3 is an enlarged top plan view, in cross-section, of the proximal end of the releasably locking dilator and sheath assembly in a released state.

[0022] Fig. 4 is a perspective view of the dilator only, from Fig. 1.

[0023] Fig. 5 is a perspective view of a portion of a sheath in accordance with an alternate embodiment of the present invention.

[0024] Fig. 6 is a flowchart describing the procedure of catheter insertion utilizing the present invention.

[0025] Fig. 7 is a diagram showing a preferable force application used to longitudinally split the sheath upon removal.

DETAILED DESCRIPTION OF THE INVENTION

[0026] In the drawings, like numerals indicate like elements throughout. Certain terminology is used herein for convenience only and is not to be taken as a limitation on the present invention. The terms “distal” and “proximal” refer to the directions “away from” and “closer to”, respectively, the body of the physician inserting the dilator and sheath assembly into a patient. The terminology includes the words above specifically mentioned, derivatives thereof, and words of similar import.

[0027] The following describes a preferred embodiment of the present invention. However, it should be understood, based on this disclosure, that the invention is not limited by the preferred embodiment described herein. Referring now to the drawings in detail, there is shown in Fig. 1, an embodiment of a releasably locking dilator and sheath assembly 10. As shown in throughout, the assembly includes a dilator 12 and a sheath 14, which are releasably locked to each other. The dilator 12 is longer than the sheath 14 so that the dilator 12, in the releasably locked position with the sheath 14, as shown in Fig. 1, passes through the sheath 14 so that a distal tip 36 of the dilator 12 extends beyond the distal end 56 of the sheath 14.

[0028] The sheath 14, as shown in Fig. 2, is a device used to aid in the insertion of a catheter (not shown) into a vessel (not shown) to be catheterized, as is well known in the art. Since the sheath 14 is generally more rigid than a catheter, the sheath 14 can be maneuvered into place with less effort and trauma to the patient than a catheter. The catheter is then inserted into the vessel through the sheath 14. Once the catheter is in place, the sheath 14 may be removed, thereby leaving the catheter in its desired position. If the catheter has any encumbrance, such as a hub, on

its proximal end, the sheath 14 will have to be split in order to remove it from the patient's body while leaving the catheter in place.

[0029] The sheath 14 includes a distal end 54 having a tapered distal tip 56, an elongated tubular portion 43, and proximal end containing a sheath hub 40. At least one tear seam 58 is longitudinally disposed along the entire length of the sheath 14. In this preferred embodiment, two tear seams 58 are present. These tear seams 58 are located on opposite sides of the sheath 14 so that a plane "P" containing the two tear seams 58 bisects the sheath 14 longitudinally. The plane "P" contains the longitudinal axis "L", as shown in Fig. 3, and extends from the line "L" perpendicular to the surface of the paper.

[0030] Referring to Figs. 2 and 3, two diametrically opposed reveals 48 are located on the sheath hub 40. Each reveal 48 is preferably aligned with one of the tear seams 58 of the sheath 14, so that the reveals 48 and the tear seams 58 are coplanar. The sheath hub 40 is fixedly connected to the proximal end 52 of the sheath 14 such as by an adhesive, ultrasonic bonding, insert molding or another method known to those skilled in the art. The longitudinal axis "L" extends through the sheath 14 and the sheath hub 40. The sheath hub 40 includes first and second diametrically opposed winged tabs 42; the first and second tabs 42 each include a perpendicular portion 44, perpendicular to the longitudinal axis "L" of the sheath 14, and an angled portion 46. The winged tabs 42 extend away from the plane that contains the diametrically opposed reveals 48 of the hub 40 and the tear seams 58 of the sheath 14. As shown in Fig. 3, an angle " β " extends between the perpendicular portion 44 and the angled portion 46 of each of the wings 42. The angle " β " ranges from approximately 90° to approximately 179° . Preferably, the angle " β " is between approximately 130° to approximately 140° ; however, those skilled in the art will recognize that the angle " β " can have other ranges as well. The angled portions 46 of the winged tabs 42 include raised ridges 47 on

their proximal surface to aid in gripping the tabs 46. Alternatively, other raised features on the winged tabs 42, such as bumps or a crosshatched pattern (not shown) may also assist the gripping the winged tabs 42.

[0031] As best seen in Fig. 3, the sheath hub 40 is fixedly connected to the proximal end 52 of the sheath 14 such that the exterior of the tubular portion 43 of the sheath 14 is fixedly connected to the a portion of the inside of the sheath hub 40. Referring back to Fig. 2, the sheath hub 40 has an opening 51 and a top surface 50, which is generally flush around the entire circumference of the opening 51. The flush top surface 50 assists in preventing blood loss when the dilator 12 is removed from the sheath 14. The inserting physician may utilize the top surface 50 to prevent blood loss by placing a thumb over the entire opening 51 in the proximal end of the sheath hub 40, as is commonly done in the art. The opening 51 in the proximal end of the sheath hub 40 also serves as a proximal end to the sheath tubing 43. The part of the inner portion of the sheath hub 40 not fixedly connected to the sheath 14, may contain features that serve to mate the sheath 14 to the dilator 12 and form a releasably locking connection. The present embodiment shows a part of inner portion of the sheath hub 40 having female threads 53.

[0032] Referring to Fig. 4, the dilator 12 is an elongated device that includes a proximal end 28, a distal end 32 and a stem 26 extending between the proximal end 28 and the distal end 32. At the distal end 32 of the dilator stem 26, a transition portion 34 reduces in diameter to a conically shaped distal tip 36. When in a releasably connected state with the dilator 12 inside of the sheath 14, the dilator 12 and sheath 14 share the same longitudinal axis "L". The exterior diameter of the stem 26 of the dilator 12 is sized to allow a slight frictional engagement between the inside of the sheath 14 and the outside of the dilator 12. This frictional engagement will serve to form a seal between the dilator 12 and the sheath 14 and reduce or prevent blood seepage through the sheath 14

while the dilator 12 and sheath 14 are releasably connected. Preferably, the dilator 12 includes a hollow passageway along the length of the dilator 12 from the distal tip 36 to the proximal end of the dilator hub 23. The hollow passageway allows the dilator 12 to be inserted over a guidewire (not shown) and follow the guidewire to the desired position inside the vessel to be catheterized.

[0033] The proximal end 28 of the dilator 12 comprises a dilator hub 20 fixedly connected to the dilator 12 such as by an adhesive, ultrasonic bonding, insert molding or another method known to those skilled in the art. The dilator hub 20 includes a proximal end having a male threaded portion 25, and a lip 22, having a bottom face 24. The threaded portion 25 of the proximal end 23 of the dilator 12 may be used as a temporary fitting for any apparatus (not shown) that may be required to be attached to the dilator 12. The bottom face 24 is flush around its circumference. A distal portion 29 of the dilator hub 20 also includes external male threads 30 that are located between the lip 22 and the stem 26.

[0034] The sheath 14 is preferably constructed of high-density polyethylene, low-density polyethylene or polytetrafluoroethylene. The sheath hub 40 is preferably constructed of high-density polyethylene or polypropylene. The dilator is preferably constructed of high-density polyethylene, low-density polyethylene or polypropylene. The dilator hub is preferably constructed of high-density polyethylene or polypropylene.

[0035] Referring to Fig. 1, the dilator and sheath assembly 10 comprises the dilator 12 and the sheath 14 wherein the dilator 12 and sheath 14 are releasably locked to each other. When in the releasably locked position, the dilator 12 is positioned inside of the sheath 14 so that the distal tip 36 of the dilator protrudes from the distal end 56 of the sheath 14. Referring back to Fig. 3, the male threads 30 of the dilator hub 20 are engagable with the female threads 53 of the sheath hub 40. The releasably locking

engagement between the dilator 12 and the sheath 14 further serves to prevent blood from flowing between the dilator 12 and the sheath 14. In the preferred embodiment, the external male threads 30 on the dilator hub 20 are engagable with the female threads 53 on the sheath hub 40 for approximately one-quarter turn (90°) in the clockwise direction about the longitudinal axis "L" of the dilator 12. However, those skilled in the art will recognize that the engagement between the dilator 12 and the sheath 14 may take any number of turns in either the clockwise or counter-clockwise direction.

[0036] The female threaded portion 53 of the sheath hub 40 may also be mated to a capping device (not shown) to prevent blood loss through the sheath 14 while not requiring the inserting physician to apply his or her thumb to block the opening 51 in the top flush surface 50 during the period between removal of the dilator 12 and the insertion of the catheter into the sheath 14. If the transition time is short, the use of the thumb is preferred, but if there were some delay between the removal of the dilator 12 and the insertion of the catheter, a capping device would allow the inserting physician to reduce blood loss and contamination through the sheath 14. With this configuration the capping device utilizes the female threaded 53 portion on the sheath hub 14 and is releasably lockable and unlockable using the same unlocking process utilized in removing the dilator 12.

[0037] One alternate embodiment of a sheath hub 140, as shown in Fig. 5, is a hub 140 comprising two separate hub portions 145, 148 fixedly connected to the sheath 14, wherein a each of a first hub portion 145 and second hub portion 148 is connected to the other by one or more webbings 149. There are spaces 141 between the hub portions 145, 148. These spaces 141 are spanned by the webbings 149 that connect the first and second hub portions 145, 148. The two hub portions 145, 148, when connected by the webbings 149 and bonded to the sheath 14, serve as a singular sheath hub 140. When

combined, the two hub portions 145, 148 have all of the features that the sheath hub 40 comprises, including a releasably locking mechanism to mate to the counterpart located on the dilator 12 and a flush top surface 150 to assist in the prevention of blood loss through the sheath 14. The webbing 149 that connects the two hub portions 145 may be located in one or more places between the two portions of the sheath hub 140. The webbing 149 and the spaces 141 between the two hub portions 145 of the sheath hub 140 are disposed in the same plane that contains the one or more tear seams 58 along the sheath 14. The features of the sheath hub 140 are virtually identical to those mentioned in the paragraphs above, with respect to the sheath hub 40, with one notable difference being that there are small spaces 141 between the two hub portions 145, 148 of the sheath hub 140 and webbing 149 connecting those portions. The two hub portions 145, 148 have generally semicircular inner surfaces and, when the two hub portions 145, 148 are fixedly connected to the sheath 14, the two hub portions 145, 148 are the functional equivalent of the flush surface 50 and the female threaded portion 53 included in the hub 40. The two hub portions 145, 148 also serve as the proximal end 52 of the sheath 14. The space 141 replaces the opposing reveals 48 as a weak point in the sheath hub 40, which assists in splitting the sheath hub 40. The webbing 149 connecting the two hub portions 145, 148 has strength less than that of the rest of the sheath hub 140. This localized decrease in strength allows for splitting of the sheath hub 140 into two separate sheath hub portions 145, 148. The webbing 149 is disposed along a proximal opening 151 so that a flush top surface 150 is intact. This sheath hub 140 configuration can be manufactured utilizing a unitary construction.

[0038] A preferred method for using the dilator and sheath assembly 10 will now be described. The method will be described with reference to the dilator and sheath assembly 10 as described above, however, it should be understood that alternative devices described above or

which are capable of accomplishing the same steps may also be used. As shown in Fig. 1, the dilator and sheath assembly 10 has an original configuration, wherein the dilator 12 is disposed inside of the sheath 14 and the dilator 12 and sheath 14 are releasably locked to each other. In this position, the distal tip 36 of the dilator 12 protrudes from the distal end 33 of the sheath 14. Also, in this position, the dilator 12 and sheath 14 are releasably locked by the male threads 30 and female threads 53 disposed on the dilator hub 20 and sheath hub 40 respectively.

[0039] Referring to the flowchart of Fig. 6, during insertion of a catheter into the patient, the dilator and sheath assembly 10 is inserted into a vessel to be catheterized (not shown) so that the distal tip 36 of the dilator 12 is in the area to be catheterized. This is done by first probing the area to be catheterized to find the desired vessel. Next, in accordance with the Seldinger technique, an incision is made near the vessel and a thin, hollow tipped needle (not shown) is inserted through the incision and into the vessel to be catheterized. Once the hollow tip of the needle is in the vessel to be catheterized, a thin guidewire (not shown) is passed through the needle into the vessel. The guidewire is inserted into the vessel so that the distal end of the guidewire is near the desired location to be catheterized. With the guidewire in place, the needle is removed. The dilator and sheath assembly 10 is inserted over the guidewire, with the guidewire being inserted through the hollow passageway 31 of the dilator 12. In this procedure, the proximal end of the guidewire is inserted into the hollow passageway 31, beginning in the distal tip 36 of the dilator 12, and the dilator and sheath assembly 10 is slid along the guidewire in a distal direction until the distal tip 36 of the dilator 12 is in the area to be catheterized. With the dilator and sheath assembly 10 in place, the guidewire is removed by pulling the guidewire in a proximal direction through the dilator 12 and leaving the dilator and sheath assembly 10 in place.

[0040] Once the dilator and sheath assembly 10 is in place, the dilator 12 is removed from the sheath 14. The dilator 12 is rotated around its longitudinal axis in a counterclockwise direction in relation to the sheath 14 until the dilator 12 is released from the sheath 14. The dilator 12 is then released from the sheath 14 when the male threads 30 of the dilator hub 20 are no longer engaged to the female threads 53 of the sheath hub 40. Once the dilator 12 is released from the sheath 14, the dilator 12 is pulled in a proximal direction in relation to the sheath 14 until the distal tip 36 of the dilator 12 is clear of the top flush surface 50 of the proximal end 52 of the sheath hub 40. With the dilator 12 clear of the sheath 14, there is now a hollow passageway through the sheath 14. In the preferred embodiment, the dilator 12 is rotated approximately 90° in relation to the sheath 14 to release the engagement between the dilator 12 and the sheath 14.

[0041] However, if there is an alternative releasably locking device existing in place of the male threads 30 and female threads 53 on the dilator 12 and sheath 14, respectively, the dilator 12 may be released from the sheath 14 using the appropriate method. These alternative methods include but are not limited to snap fit, screw fit, press fit and locking tabs.

[0042] Once the dilator 12 is removed from the sheath 14, leaving a hollow passageway through the sheath 14, a catheter (not shown) may be inserted through the sheath 14 into the desired vessel to be catheterized. The distal tip of the catheter is inserted into the proximal opening 51 of the sheath 14 and the catheter is slid distally through the sheath 14 until the distal tip of the catheter is in the desired location inside of the vessel to be catheterized. To reduce or prevent blood leakage through the sheath 14, before the catheter is inserted through the sheath 14, the inserting physician may apply his or her thumb to the flush top surface 50 of the sheath hub 40 to form a seal. Alternatively, the inserting physician may releasably lock a capping device (not shown) into place

on the sheath hub 40, utilizing the mating device on the sheath hub 40 and a mating device on the capping device comprising the same features as the mating device on the dilator 12.

[0043] With the catheter in place, the sheath 14 can now be removed, leaving only the catheter in the vessel to be catheterized. It is common for the catheter to have some sort of encumbrance such as a hub, an ingrowth cuff, a collar or other fitting in its proximal region that would prevent the sheath 14 from simply being slid over the catheter for removal. The encumbrance could be a cuff, hub, or other fitting. To accommodate removal of the sheath 14 over a catheter with such encumbrances, the sheath 14 may be split longitudinally. The preferred method of removing the sheath 14 according to the present invention is to split the sheath 14 along its longitudinal axis "L" while pulling the sheath 14 proximally out of the patient. The sheath 14 and the sheath hub 40 are split longitudinally into two approximate halves. This method utilizes the tear seams 58 along the sheath 14 and the two opposing reveals 48 located on the sheath hub 40.

[0044] Referring to Fig. 7, the sheath 14 is split by grasping the two winged tabs 42 and applying a downward or distal force F_{d1} , F_{d2} to the proximal or top surface of the angled portion 46 of each of the winged tabs 42 while applying a proximal force F_{p1} , F_{p2} to the distal surface of each of the winged tabs 42 at a place on each tab that is closer to the longitudinal axis "L" of the sheath 14 than the point on each winged tab 42 where the downward force is applied. Preferably, the inserting physician will grasp the tabs 42 by placing his or her thumb on the top of the angled portion 46 of each winged tab 42 and sliding his or her index finger under each tab 42. The distal force F_{d1} , F_{d2} is applied with the inserting physician's thumbs and the proximal force F_{p1} , F_{p2} is applied with the inserting physician's index finger. This application of conflicting forces F_{d1} , F_{d2} and F_{p1} , F_{p2} in strategic positions creates a couple which utilizes the winged tab 42 design of the present invention to assist the inserting physician in splitting the sheath hub 40 and the sheath 14.

The inserting physician creates moments around two points, which are located directly between the application points of the distal and proximal forces F_{d1} , F_{d2} and F_{p1} , F_{p2} , thereby creating a rotation of the winged tabs 42 along lines R_1 and R_2 which forces the sheath hub 40 to split in the along the plane containing the opposing reveals 48 of the sheath hub 40 and the tear seams 58 of the sheath 14. Essentially, the winged tabs 42 of the sheath hub 40 are used as levers that pull apart and upward (proximally) on the center of the sheath hub 40. This is accomplished by using the point where the proximal force F_{p1} , F_{p2} is applied to the bottom of each winged tab 42 as a fulcrum and applying a distal force F_{d1} , F_{d2} to a point on the proximal surface of the angled portion 46 of each winged tab 42. Because of the two conflicting forces F_{d1} , F_{d2} and F_{p1} , F_{p2} being applied to each of the winged tabs 42, the natural reaction is for the sheath hub 40 to split in the along the plane "P" containing the opposing reveals 48 of the sheath hub 40 and the tear seams 58 of the sheath 14. The splitting of the sheath 14 and the sheath hub 40 allows the winged tabs 42 to each rotate about an axis, approximately located at A_1 , A_2 , created by the conflicting distal and proximal forces F_{d1} , F_{d2} and F_{p1} , F_{p2} and located between the application points of the forces F_{d1} , F_{d2} and F_{p1} , F_{p2} . The approximate direction of rotation is denoted by R_1 and R_2 in Fig. 7. This design allows the inserting physician to apply distal forces F_{d1} , F_{d2} to the outside of each of the winged tabs 42 and proximal forces F_{p1} , F_{p2} at points closer to the longitudinal axis "L" of the sheath 14 to achieve resulting proximal and outward forces F_{PO1} , F_{PO2} on the center of the sheath hub 40.

[0045] The angled design of each of the winged tabs 42 greatly improves the leverage that the inserting physician has while working with the sheath 14. The angled portion 46 of each of the winged tabs 42 assists the inserting physician in maneuvering the sheath 14 into place. The angled portion 46 of the winged tabs 42 also allows the inserting physician to be able to reach under each of the tabs 42 with his or her fingers when the sheath 14 is completely inserted in the body of the

patient thereby allowing the inserting physician to place at least one finger under each tab 42 to achieve greater leverage in his or her efforts to split the sheath 14 longitudinally in order to withdraw the sheath 14 while leaving the catheter in place.

[0046] This invention is an improvement over the conventional perpendicular tabbed designs because of the leverage that the winged tab 42 design gives the inserting physician during splitting and because the angular portion 46 of the winged tabs 42 allows the inserting physician to place his or her fingers under the tabs 42 with minimal disturbance to the patient. The benefit of the lever and fulcrum style winged tabs 42 over conventional perpendicular tabs is a reduction in the required effort to split the sheath 14, as well as improved ergonomics and a potential reduction in trauma to the patient. The design of the present invention allows the inserting physician to keep his or her hands in a relatively stationary position, in relation to the center of the sheath 14. The present invention allows the inserting physician to split the sheath hub 40 by creating the couple on the first and second winged tabs 42 of the sheath hub 40 without pulling the sheath 14 in two different directions. This reduction in outward forces on the sheath 14 greatly reduces the chance that the two halves of the split sheath 14 will stretch the incision made in the flesh of the patient.

[0047] Preferably, while applying the forces F_{d1} , F_{d2} and F_{p1} , F_{p2} necessary to split the sheath 14 as described above, the inserting physician will also be moving his or her hands in a proximal direction to bring the two approximate halves of the split sheath 14 toward him or herself. This combination of forces will allow the inserting physician to split the sheath 14 as he or she is pulling it from the patient's body, thereby avoiding any encumbrances on the catheter while leaving the portion of the sheath 14 that is still in the patient's body intact. Gradually as more of the sheath 14 is removed from the patient's body, it is preferable for the inserting physician to move his or her hands slightly away from each other to allow the entire length of the sheath 14 to split and avoid

any encumbrances on the catheter. This curvilinear translation of the proximal ends of the two approximate halves, proximally and away from each other, allows the sheath 14 to be slid proximally over the catheter while spreading out enough to clear the catheter's proximal obstacles. This process best accomplishes the goal of removing the sheath 14 from around the catheter while leaving the catheter in place when all of the steps mentioned, from grasping the winged tabs 42 of the sheath hub 40 to pulling the tabs 42 away from each other, are done simultaneously in a fluid motion so as to smoothly remove the sheath 14 from around the catheter. Once the sheath 14 is in place and the catheter is removed, the incision is then closed around the catheter according to procedures known to those skilled in the art.

[0048] These and other advantages of the present invention will be apparent to those skilled in the art from the foregoing specification. Accordingly, it will be recognized by those skilled in the art that changes or modifications may be made to the above-described embodiments without departing from the broad inventive concepts of the invention. It should therefore be understood that this invention is not limited to the particular embodiments described herein, but is intended to include all changes and modifications that are within the scope and spirit of the invention as defined in the claims.

CLAIMS

1. A dilator and sheath assembly comprising:
 - a) a dilator having:
 - 1) an elongated dilator stem having a proximal dilator end; and
 - 2) a dilator hub fixedly connected to the proximal dilator end, wherein the dilator hub is a single body and includes a threaded portion at a distal portion thereof; and
 - b) a sheath having:
 - 1) an elongated tubular portion having a proximal sheath end, a distal sheath end, and a longitudinal axis extending between the proximal sheath end and the distal sheath end, wherein the tubular portion is sized to frictionally retain the dilator stem;
 - 2) at least one tear seam extending in a plane between the proximal sheath end and the distal sheath end; and
 - 3) a sheath hub fixedly connected to the proximal sheath end, wherein the sheath hub includes a proximal portion and a mating threaded portion at a proximal end thereof, wherein the threaded portion of the dilator hub is directly received by the mating threaded portion of the sheath hub to provide a direct and releasably locking engagement between the dilator and the sheath.
2. The dilator and sheath assembly according to claim 1, wherein the at least one tear seam comprises two tear seams located in the plane, wherein the plane longitudinally bisects the sheath.
3. The dilator and sheath assembly according to claim 2, wherein the sheath hub further comprises two opposing reveals disposed parallel to the longitudinal axis of the tubular portion, and wherein the opposing reveals are located in the plane including the at least one tear seam.
4. The dilator and sheath assembly according to claim 1, wherein the dilator hub further comprises one of a male and a female thread and the sheath hub comprises the

other of the male and female thread so as to mate to the dilator hub to provide a releasably locking engagement between the dilator and the sheath.

5. A dilator and sheath assembly comprising:

a) a dilator having:

- 1) an elongated dilator stem having a proximal dilator end; and
- 2) a dilator hub fixedly connected to the proximal dilator end, wherein the dilator hub includes a threaded portion at a distal portion thereof; and

b) a sheath having:

- 1) an elongated tubular portion having a proximal sheath end, a distal sheath end, and a longitudinal axis extending between the proximal sheath end and the distal sheath end, wherein the tubular portion is sized to frictionally retain the dilator stem;

- 2) at least one tear seam extending in a plane between the proximal sheath end and the distal sheath end; and

- 3) a sheath hub fixedly connected to the proximal sheath end, wherein the sheath hub includes a proximal portion and a mating threaded portion at a proximal end thereof, wherein the threaded portion of the dilator hub and the mating threaded portion of the sheath hub provide a releasably locking engagement between the dilator and the sheath,

wherein the sheath hub comprises a flush surface at the proximal portion thereof, wherein the flush surface is perpendicular to the longitudinal axis of the tubular sheath, wherein the flush surface is generally flat around an entire circumference of an opening in the sheath hub, and wherein the opening defines a proximal end of the tubular portion.

6. The dilator and sheath assembly according to claim 1, wherein the sheath hub comprises two opposing winged tabs, wherein each winged tab includes a perpendicular portion and an angled portion, wherein the perpendicular portion extends laterally from the sheath hub in a plane perpendicular to the longitudinal axis of the tubular portion, and wherein the angled portion of the winged tab extends from the

perpendicular portion, wherein an angle between the perpendicular portion and the angled portion is between approximately 90° and approximately 179°.

7. The dilator and sheath assembly according to claim 6, wherein the angle is between approximately 130° and approximately 140°.

8. A dilator and sheath assembly comprising:

a) a dilator having:

1) an elongated dilator stem having a proximal dilator end; and

2) a dilator hub comprised of a single body fixedly connected to the proximal dilator end;

b) a sheath having:

1) an elongated tubular portion having a longitudinal axis, a proximal sheath end and a distal sheath end, wherein the tubular portion is sized to frictionally retain the dilator stem;

2) at least one tear seam extending in a plane between the proximal sheath end and the distal sheath end; and

3) a sheath hub fixedly connected to the proximal sheath end; and

c) a means for providing a releasably locking engagement between the distal portion of the dilator hub and the proximate portion of the sheath hub wherein the distal portion of the dilator hub and the proximate portion of the sheath hub are in a direct locking engagement such that the distal portion of the dilator hub is directly received by the proximate portion of the sheath hub.

9. The dilator and sheath assembly according to claim 8, wherein the at least one tear seam comprises two tear seams located in the plane, wherein the plane longitudinally bisects the sheath.

10. The dilator and sheath assembly according to claim 9, wherein the sheath hub comprises two opposing reveals disposed parallel to the longitudinal axis of the elongated tubular portion and wherein the opposing reveals are located in the plane including the at least one tear seam.

11. The dilator and sheath assembly according to claim 8, wherein the sheath hub comprises a flush surface at the proximate portion thereof, wherein the flush surface is perpendicular to the longitudinal axis of the tubular sheath, wherein the flush surface is generally fiat around an entire circumference of an opening in the sheath hub, and wherein the opening defines a proximal end to the elongated tubular portion.

12. The dilator and sheath assembly according to claim 8, wherein the sheath hub comprises two opposing winged tabs, wherein each winged tab includes a perpendicular portion and an angled portion, wherein the perpendicular portion extends laterally from the sheath hub in a plane perpendicular to the longitudinal axis of the tubular portion, and wherein the angled portion of the winged tab extends from the perpendicular portion, wherein an angle between the perpendicular portion and the angled portion is between approximately 90° and approximately 179° .

13. The dilator and sheath assembly according to claim 12, wherein the angle is between approximately 130° and approximately 140° .

14. A dilator and sheath assembly comprising:

a) a dilator comprised of a single body having an elongated dilator stem, a proximal dilator end and a dilator hub fixedly connected to the proximal dilator end, wherein the dilator hub includes a threaded portion at a distal portion thereof; and

b) a sheath having:

(i) a proximal sheath end, a distal sheath end and an elongated tubular portion having a longitudinal axis extending between the proximal sheath end and the distal sheath end;

(ii) two tear seams extending along the tubular portion between the proximal sheath end and the distal sheath end, wherein the two tear seams are located on opposite sides of the sheath and are in a plane containing the longitudinal axis of the sheath; and

(iii) a first and second opposing sheath hub portions, wherein each of the first and second sheath hub portions comprise an inverted semicircular edge fixedly connected to the sheath, whereby the first and second sheath hub portions generally encircle the tubular sheath and whereby there are small

spaces between the first and second sheath hub portions, wherein the spaces between the first and second sheath hub portions are aligned with the two tear seams on the sheath; wherein each of the first and second sheath hub portions comprise a threaded portion at a proximal end thereof, whereby the first and second threaded portions form a circular threaded portion forming the proximal end of the sheath, and whereby the threaded portion of the sheath receives the dilator hub so as to be directly matable with the threaded portion of the dilator hub to provide a releasably locking engagement between the dilator and the sheath.

15. The dilator and sheath assembly according to claim 14, wherein the dilator hub includes one of a male and a female thread and the sheath hub includes the other of the male and female thread so as to mate to the dilator to provide a releasably locking device to attach the dilator to the sheath.

16. The dilator and sheath assembly according to claim 14, wherein the first and second opposing sheath hub portions are connected to each other on either side of the longitudinal axis by at least one web on opposing sides of the longitudinal axis, wherein the at least one web constitutes a weakened portion in the sheath hub, bonded to the sheath hub portions to form a complete circle around the sheath, wherein the at least one web has a tensile strength less than that of the sheath hub.

17. The dilator and sheath assembly according to claim 16, wherein the at least one web is positioned along a proximal opening in the sheath hub, whereby the at least one web and the two sheath hub portions form a flush top surface, wherein the flush top surface is generally flat, wherein the flush top surface is perpendicular to the longitudinal axis of the sheath, and wherein the flush top surface defines a proximal end in the tubular portion.

18. The dilator and sheath assembly according to claim 14, wherein the first and second opposing sheath hub portions are connected on either side of the longitudinal axis by a member on each side, wherein the member is bonded to the hubs to form a complete circle around the sheath, wherein the member is of a tensile strength less than

that of the sheath hub portions so as to assist in the splitting of the sheath and separation of the sheath along the plane containing the axis of the sheath and the two tear seams.

19. A method of separating a dilator from a sheath comprising:

a. providing a dilator comprising a single body having a dilator stem extending along a longitudinal axis and a dilator hub connected to a proximal end of the dilator stem, wherein the dilator hub comprises a male threaded portion;

b. providing a sheath having a sheath hub comprising a female threaded portion and winged tabs having a perpendicular portion and an angled portion, whereby the dilator is releasably connected to the sheath by mating the threads on the dilator hub to the threads on the sheath hub such that the dilator hub is directly receivable by the sheath hub and directly connected to the sheath hub;

c. rotating the dilator around the longitudinal axis in relation to the sheath, thereby unthreading the male threaded portion from the female threaded portion; and

d. disengaging the dilator from the sheath.

20. The method according to claim 19, wherein the dilator further comprises a distal tip and a hollow passageway extending along the longitudinal axis, adapted to receive a guidewire.

21. The method according to claim 19, wherein the sheath further comprises

(i) a hollow passageway along the longitudinal axis of the sheath,

(ii) a proximal portion with a proximal tip having an opening at the proximal end thereof, and

(iii) a distal portion having a distal tip having an opening at the distal end thereof, wherein the method further comprises, after step (d), sliding the dilator in a proximal direction along the longitudinal axis in relation to the sheath until the dilator is removed from the sheath.

22. The method according to claim 21, further comprising, upon removal of the dilator from the sheath, inserting a capping device in the proximal end of the sheath hub.

23. The method according to claim 21, wherein the sheath further comprises
- (i) a plurality of tear seams running the length of the sheath and being situated on a plane bisecting the sheath through the longitudinal axis, and
 - (ii) a sheath hub located at a proximal portion of the sheath, the sheath hub having two opposing reveals running parallel to the longitudinal axis of the sheath and being located in a plane including the tear seams and the longitudinal axis of the sheath and two opposing winged tabs, wherein each winged tab includes a perpendicular portion having a proximal surface and an angled portion, wherein the perpendicular portion extends laterally from the sheath hub in a plane perpendicular to the plane containing the longitudinal axis of the sheath and the two opposing reveals and the angled portion of the tab extending from the perpendicular portion, wherein an angle between the proximal surface of the perpendicular portion and the angled portion is between 90° and 179° ; wherein the method further comprises:
 - a. providing a catheter assembly having a distal tip, a proximal region, and a longitudinal tubular portion extending between the distal tip and the proximal region;
 - b. inserting the distal tip of the catheter assembly into the opening at the proximal end of the sheath;
 - c. inserting the catheter assembly longitudinally through the sheath until the distal tip of the catheter is in the area to be catheterized;
 - d. removing the sheath from around the inserted catheter assembly by simultaneously pulling the sheath in a proximal direction while grasping the sheath hub by the winged tabs and pulling the winged tabs away from each other while applying a distal force to the proximal surface of the angled portion of the tab and a proximal force to the distal surface of the perpendicular portion of the tab thereby tearing the sheath along the tear seams; and
 - e. pulling the sheath halves proximally over the catheter while leaving the catheter assembly in such a place that the distal tip of the catheter is at the place to be catheterized.
24. The method of separating the dilator from the sheath according to claim 19, wherein step (c) comprises rotating the dilator approximately 90° around the longitudinal axis in relation to the sheath.

25. A method of removing a sheath from around a catheter assembly, wherein the catheter assembly and sheath are both partially disposed inside of a desired vessel to be catheterized, the sheath having:

- a. a longitudinal axis;
- b. a distal portion having a distal tip with a hollow portion aligned with the longitudinal axis of the sheath;
- c. an elongated tubular structure comprising a hollow passageway traversing the entire longitudinal axis of the sheath;
- d. a proximal portion comprising a proximal tip at the proximal end thereof and a hollow passageway along the longitudinal axis of the sheath;
- e. two opposing tear seams running entire length of the sheath and coplanar with the longitudinal axis of the sheath; and
- f. a sheath hub fixedly connected to the proximal portion of the sheath, the sheath hub comprising:

- (i) a threaded portion for mating with threads on a single body dilator hub in a locking engagement such that the dilator hub is directly received by the proximate portion of the sheath hub;

- (ii.) two opposing reveals disposed parallel to the longitudinal axis of the tubular sheath and are coplanar with the tear seams running along the surface of the sheath and the longitudinal axis of the sheath;

- (iii) two opposing winged tabs, each tab includes a perpendicular portion and an angled portion, the perpendicular portion extending laterally from the sheath hub in a plane perpendicular to the plane containing the longitudinal axis of the sheath and the two opposing reveals and the angled portion of the tab extending from the perpendicular portion, wherein an angle between the proximal surface of the perpendicular portion and the angled portion is between 90° and 179° ; the method comprising:

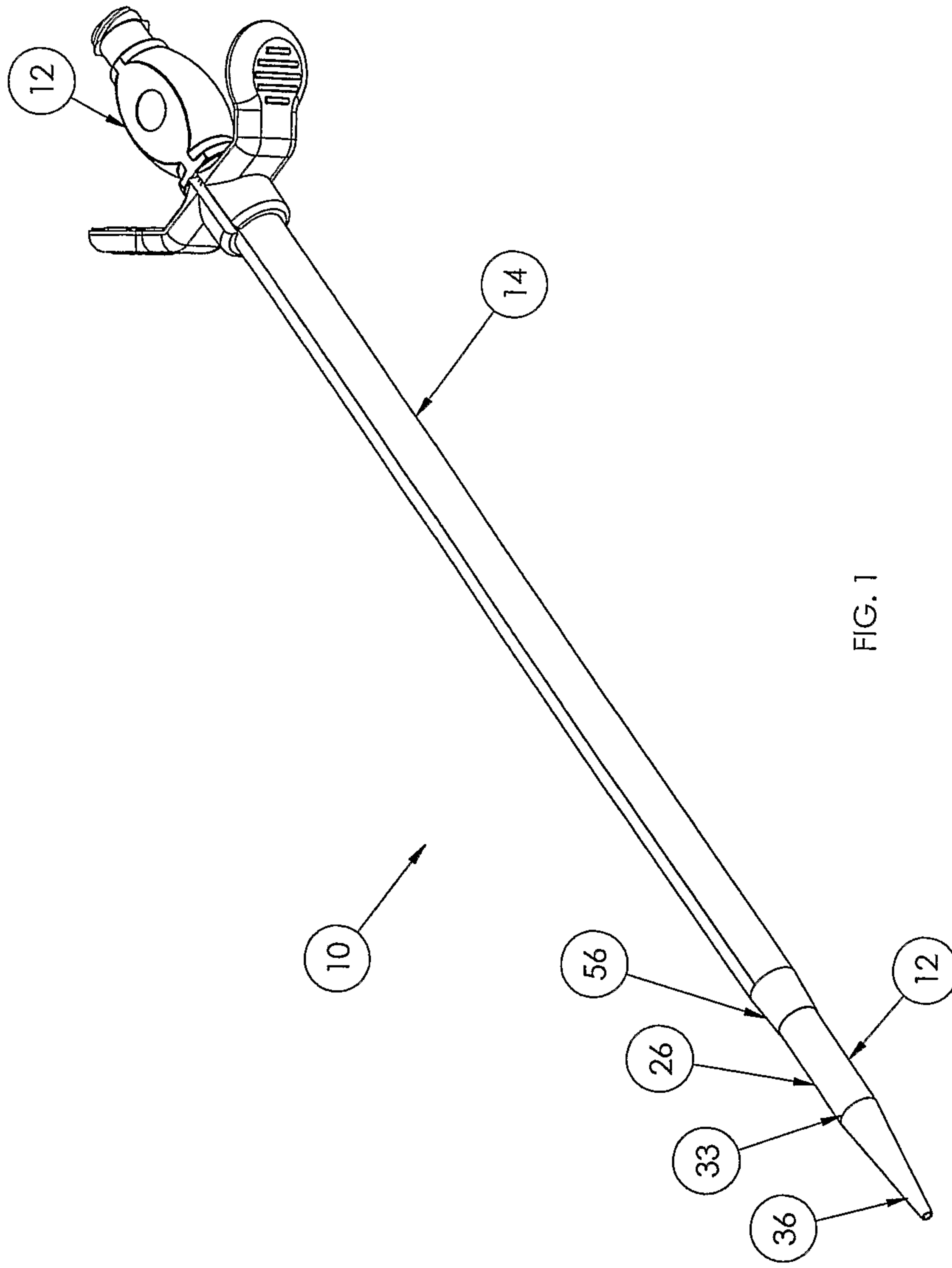
- A. applying a distal force to the proximal surface of the angled portion of each of the winged tabs;

- B. applying a proximal force to the distal surface of each of the tabs at a point on the tab closer to the center of the sheath than the point upon which the distal force is applied to the proximal surface;

C. grasping the tabs of the sheath and pulling them outward from the center of the sheath thereby separating the sheath into two halves along the tear seams running the length of the sheath; and

D. pulling the sheath in a proximal direction.

26. The method according to claim 25 whereby steps (A), (B), (C), and (D) are performed generally simultaneously, while leaving the catheter assembly in place.



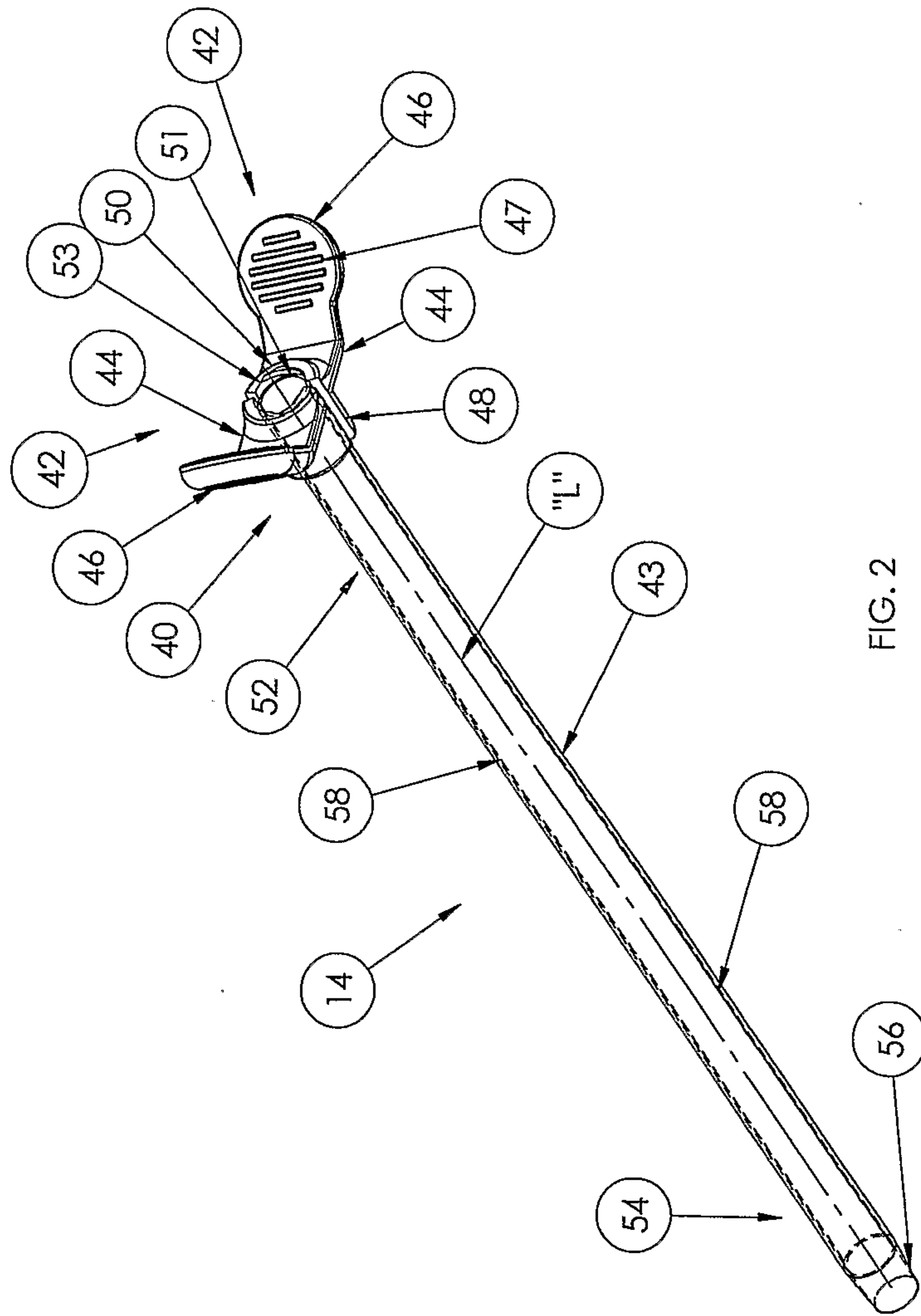


FIG. 2

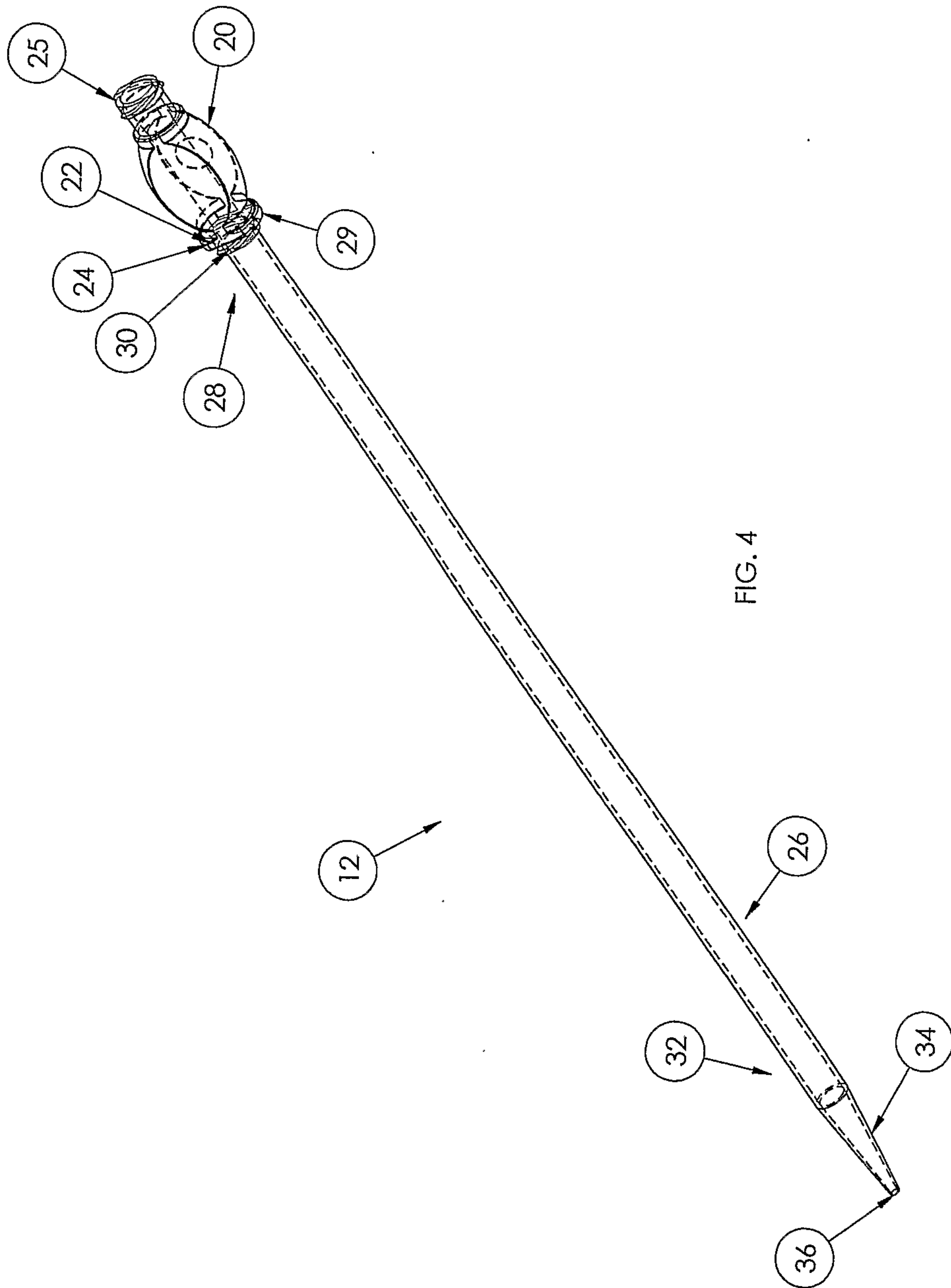


FIG. 4

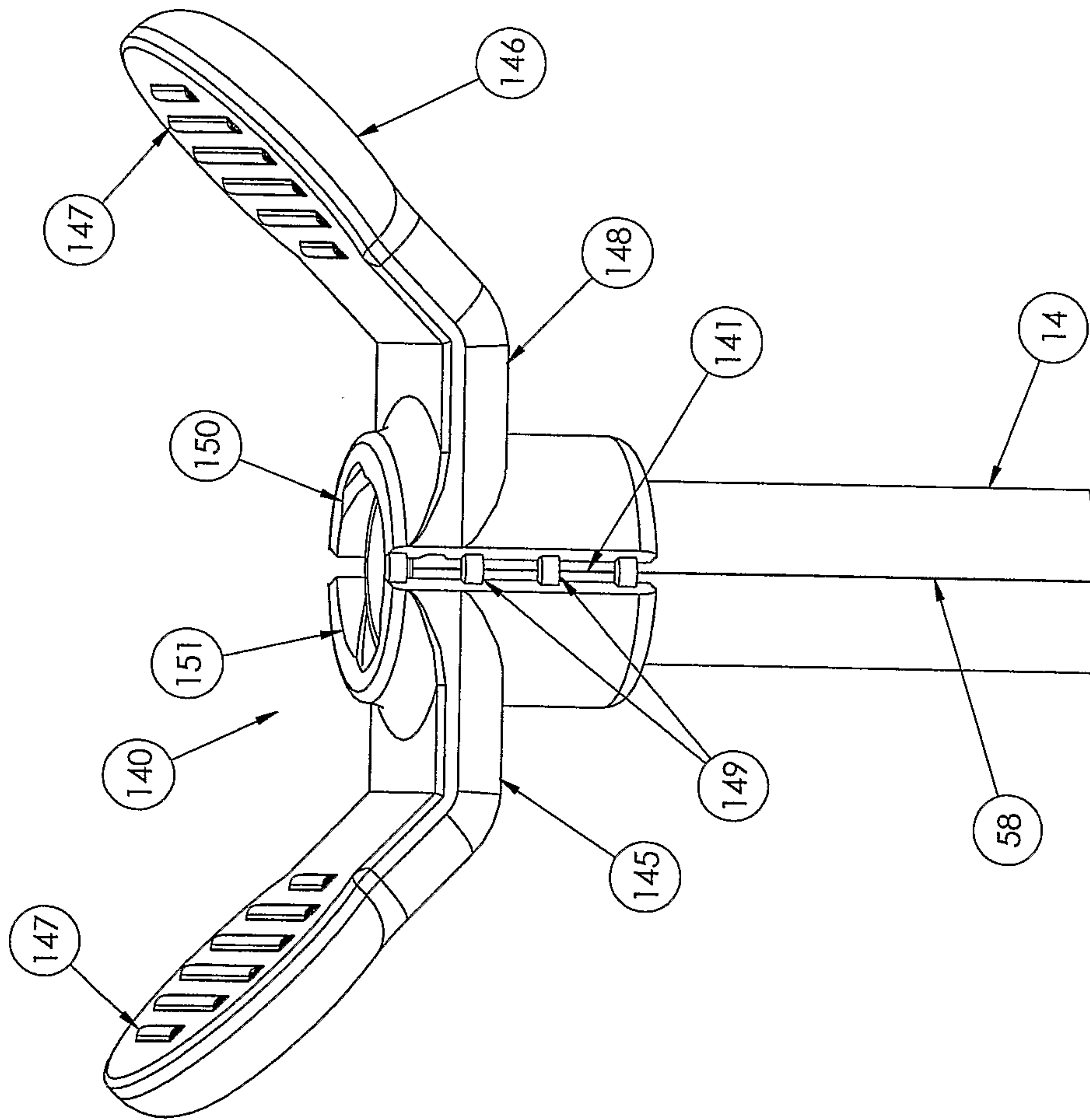


FIG. 5

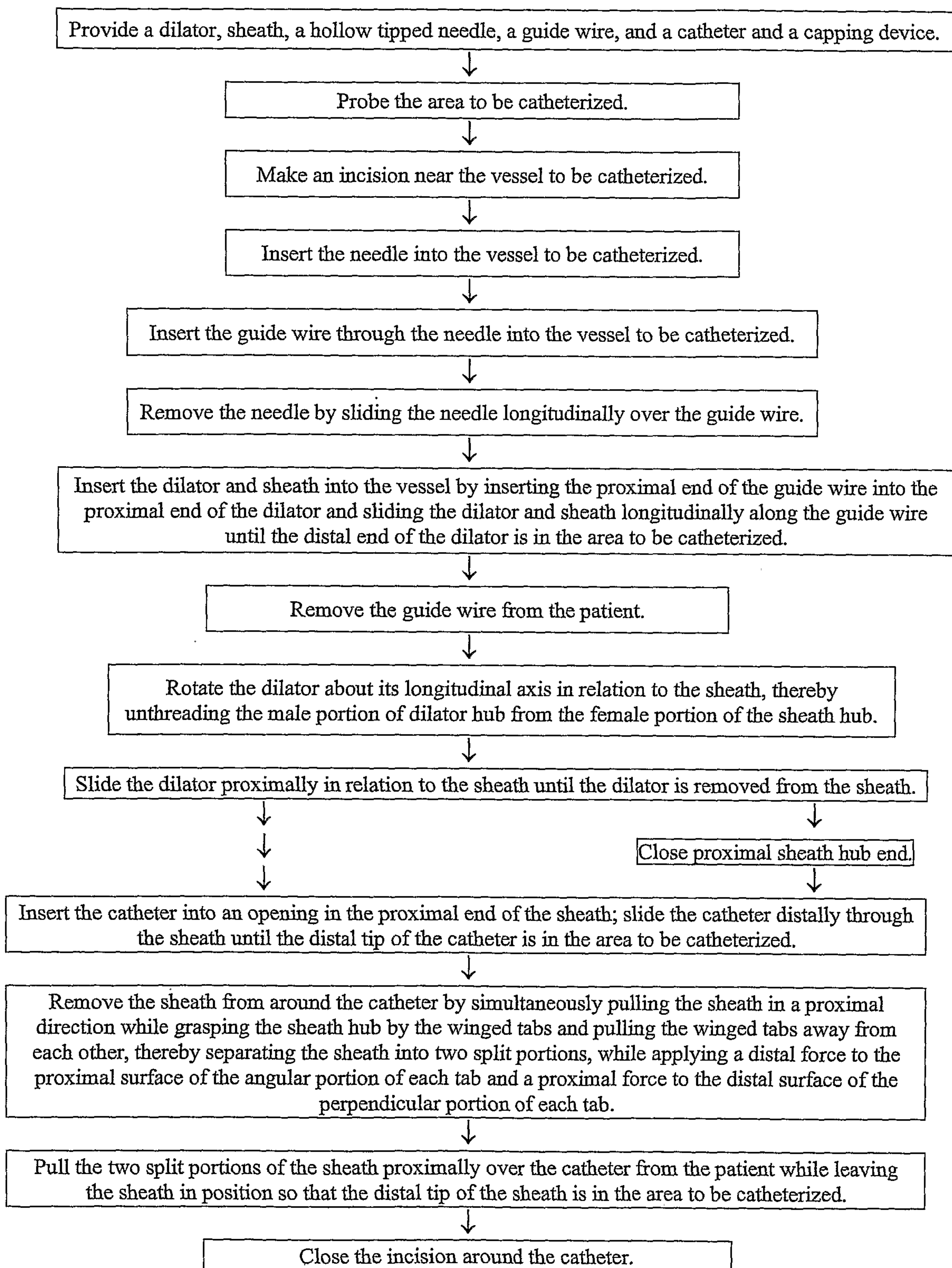


Fig. 6

7/7

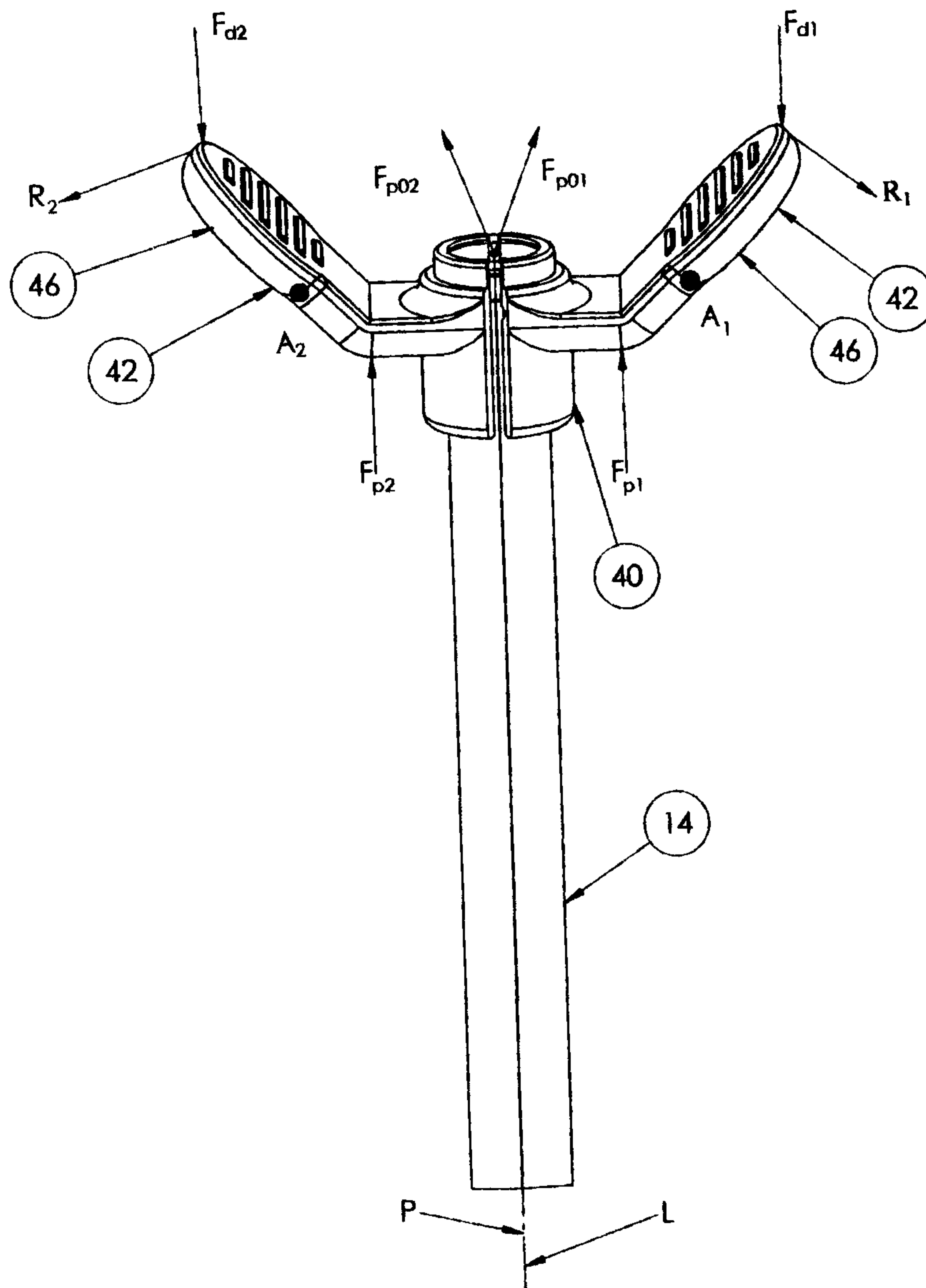


FIG. 7

