



US00D854635S

(12) **United States Design Patent**  
**Dunahay**

(10) **Patent No.:** **US D854,635 S**

(45) **Date of Patent:** **\*\* Jul. 23, 2019**

(54) **PULL UP BAR**

FOREIGN PATENT DOCUMENTS

(71) Applicant: **Coulter Ventures LLC**, Columbus, OH (US)

EP	2400205	A1	12/2011
WO	2008054720	A2	5/2008
WO	2009003280	A1	1/2009

(72) Inventor: **Nash Dunahay**, Gahanna, OH (US)

OTHER PUBLICATIONS

(73) Assignee: **Coulter Ventures, LLC**, Columbus, OH (US)

Pull up bar by Rogue dated Jun. 4, 2018. Found online [Feb. 4, 2019] [https://www.roguefitness.com/rogue-jammer-pull-up-bar?bvstate=pg:4/ct:r.\\*](https://www.roguefitness.com/rogue-jammer-pull-up-bar?bvstate=pg:4/ct:r.*)

(\*\*) Term: **15 Years**

(Continued)

(21) Appl. No.: **29/647,238**

*Primary Examiner* — Philip S Hyder

(22) Filed: **May 10, 2018**

*Assistant Examiner* — Ryan Harvey

(51) **LOC (11) Cl.** ..... **21-02**

(74) *Attorney, Agent, or Firm* — Banner & Witcoff, Ltd.

(52) **U.S. Cl.**

USPC ..... **D21/679**

(58) **Field of Classification Search**

(57) **CLAIM**

USPC ..... D6/656.1, 552, 549, 548; D21/827, 826, D21/797, 694, 691, 690, 686, 679, 673, D21/665, 662; 482/96, 95, 94, 93, 92, 482/87, 8, 77, 41, 40, 38, 36, 35, 2, 148, 482/147, 144, 142, 141, 140, 135, 133, 482/132, 130, 128, 104, 101; 472/136, 472/118

CPC ..... A63B 21/4035; A63B 21/0552; A63B 23/0211; A63B 2210/50; A63B 21/4047; A63B 23/12; A63B 21/068; A63B 21/154; A63B 2208/0204; A63B 23/1236; A63B 21/00047; A63B 23/1218; A63B 23/1227; A63B 1/00

The ornamental design for a pull up bar, as shown and described.

See application file for complete search history.

**DESCRIPTION**

(56) **References Cited**

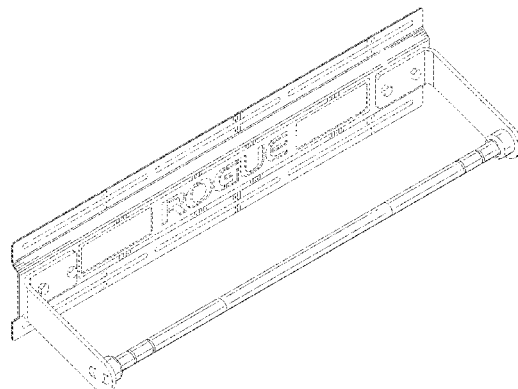
FIG. 1 is a top, front, left perspective view of a pull up bar showing my new design;  
 FIG. 2 is a top, front, right perspective view thereof;  
 FIG. 3 is a front view thereof;  
 FIG. 4 is a left side view thereof;  
 FIG. 5 is a right side view thereof;  
 FIG. 6 is a top view thereof;  
 FIG. 7 is a bottom view thereof; and,  
 FIG. 8 is a top, front, left perspective view of the design in FIGS. 1-7 positioned above a door frame shown as example environment.  
 The broken lines showing lettering in FIGS. 1-3 and 8 show features of example environment that form no part of the claimed design. The broken lines depicting the remainder of the pull up bar and the example environment in FIG. 8 show features that form no part of the claimed design.

U.S. PATENT DOCUMENTS

1,410,149	A *	3/1922	Williams	.....	A63B 1/00
					482/38
2,855,200	A	10/1958	Blickman		
D210,469	S *	3/1968	Sejersen	.....	482/40
D269,691	S *	7/1983	Ornstein	.....	D21/691
D290,033	S *	5/1987	Policastro	.....	D21/691

(Continued)

**1 Claim, 6 Drawing Sheets**



(56)

References Cited

U.S. PATENT DOCUMENTS

D297,957	S *	10/1988	Gordon, III	D21/691	2010/0048368	A1	2/2010	Donofrio	
4,961,295	A	10/1990	Kosch, Sr. et al.		2010/0171017	A1	7/2010	Chang	
5,046,722	A	9/1991	Antoon		2012/0094812	A1*	4/2012	Smiley	A63B 21/0004 482/128
5,273,506	A	12/1993	Dawson, Jr.		2013/0237394	A1*	9/2013	Fowler	A63B 17/00 482/142
5,290,209	A *	3/1994	Wilkinson	A63B 21/00047 482/121	2013/0260970	A1*	10/2013	Moskowich	A63B 21/068 482/141
D355,005	S *	1/1995	Vooehanel, Jr.	D21/691	2014/0166834	A1	6/2014	Kuroyanagi et al.	
5,776,033	A *	7/1998	Brown	A63B 1/00 248/317	2014/0371040	A1*	12/2014	Vasquez	A63B 1/00 482/132
6,116,550	A	9/2000	Forbes		2015/0126335	A1*	5/2015	Gilson	A63B 1/00 482/38
6,129,651	A *	10/2000	Denaro	A63B 21/00047 482/141	2015/0264823	A1	9/2015	Shirley et al.	
D486,020	S *	2/2004	Hoernig	D6/549	2015/0290488	A1	10/2015	Hopperstad et al.	
D486,337	S *	2/2004	Hoernig	D6/548	2016/0250515	A1	9/2016	Hopperstad et al.	
D514,857	S *	2/2006	Hoernig	D6/548	2016/0338512	A1	11/2016	Royak	
D525,668	S *	7/2006	Payne	D21/691	2016/0339291	A1	11/2016	Hopperstad et al.	
7,316,379	B1	1/2008	Graham		2017/0065844	A1	3/2017	Hopperstad et al.	
7,523,907	B2	4/2009	Chen		2017/0072260	A1*	3/2017	Jackson	A63B 23/1218
D593,169	S *	5/2009	Storch	D21/686	2017/0189736	A1	7/2017	Martin	
7,892,158	B2*	2/2011	Varga	A63B 21/4017 482/141	2017/0209733	A1	7/2017	Beaver et al.	
8,079,915	B2*	12/2011	Spencer	A63G 9/00 472/118	2017/0239512	A1	8/2017	Brasch et al.	
D682,955	S *	5/2013	Stephan	D21/679	2017/0246490	A1	8/2017	Hopperstad et al.	
D703,773	S *	4/2014	Henry	D21/691	2018/0056116	A1*	3/2018	Le Nguyen	A63B 21/4035
9,044,629	B2*	6/2015	Ross	A63B 1/005	2018/0104522	A1	4/2018	Hopperstad et al.	
D734,410	S *	7/2015	Childs	D21/686	2018/0142832	A1	5/2018	Inouye	
9,192,799	B2	11/2015	Alenaddaf		2018/0153305	A1	6/2018	Haines	
9,308,410	B2	4/2016	Beaver et al.		2018/0154234	A1*	6/2018	Pack	A63B 63/083
9,333,387	B2	5/2016	Hopperstad et al.		2018/0178051	A1	6/2018	Shaw, Jr.	
D764,607	S *	8/2016	Beckford	D21/679					
9,409,048	B1	8/2016	Hopperstad et al.						
9,498,670	B1	11/2016	Hopperstad et al.						
9,517,382	B2	12/2016	Payne						
9,649,525	B2	5/2017	Hopperstad et al.						
9,675,829	B1*	6/2017	Katz	A63B 1/00					
9,700,761	B2	7/2017	Beaver et al.						
9,844,691	B2	12/2017	Hopperstad et al.						
D816,173	S *	4/2018	Jackson	D21/691					
9,993,678	B2	6/2018	Hopperstad et al.						
2002/0082145	A1*	6/2002	Hamilton	A63B 3/00 482/38					
2003/0222041	A1	12/2003	Hong et al.						
2005/0130806	A1*	6/2005	Lopez	A63B 21/00047 482/38					
2006/0065800	A1	3/2006	Bremmon						
2006/0145038	A1	7/2006	Chen						
2009/0105052	A1	4/2009	Dalebout et al.						
2009/0124471	A1*	5/2009	Storch	A63B 21/00047 482/141					
2010/0044536	A1	2/2010	Huang						

OTHER PUBLICATIONS

Rogue product advertisement dated Dec. 3, 2015 (redacted).  
 Rogue fitness product video screenshots from <<https://www.youtube.com/watch?v=TRpmZ68p5Hw>>, dated Sep. 19, 2017.  
 Gorila Fitness product advertisement dated Apr. 16, 2018 (redacted).  
 Bulldog Gear product advertisement dated Jan. 11, 2018.  
 Pure Strength product listing dated Sep. 6, 2018 from <<https://www.pure-strength.com/collections/slim-gym-utility-plate>>.  
 Titan Fitness product listing dated Sep. 6, 2018 from <<https://www.titan.fitness/t-3-folding-power-rack-stringers.html>>.  
 Titan Fitness product listing dated Sep. 6, 2018 from <<https://www.titan.fitness/41-inch-deep-folding-wall-mount-rack.html>>(product known to be available as of Mar. 2, 2016).  
 Product listing for Rogue V2 Face Mount Pull-up Bar for Monster Lite from <https://web.archive.org/web/20161105161238/https://www.roguefitness.com/rogue-v2-face-mount-pull-up-bar-for-monster-lite>, dated Nov. 5, 2016.

\* cited by examiner

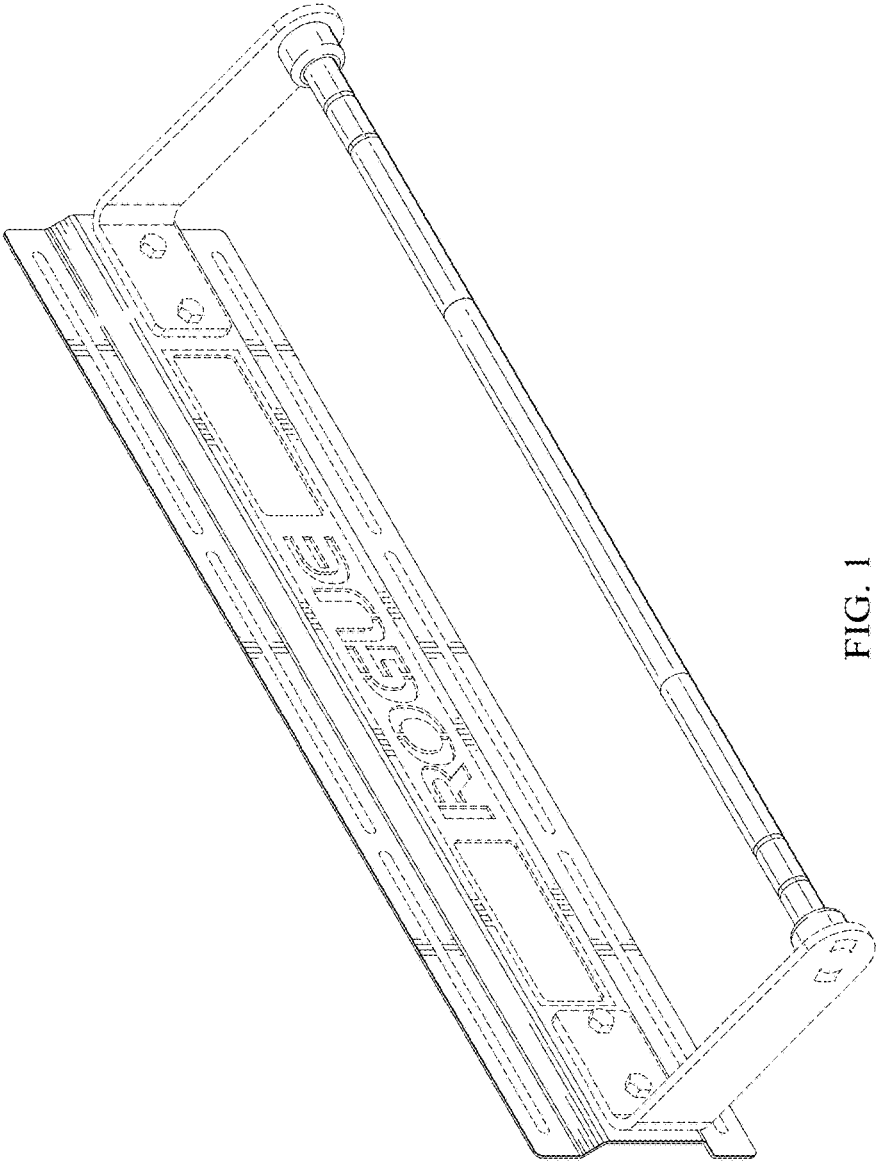


FIG. 1

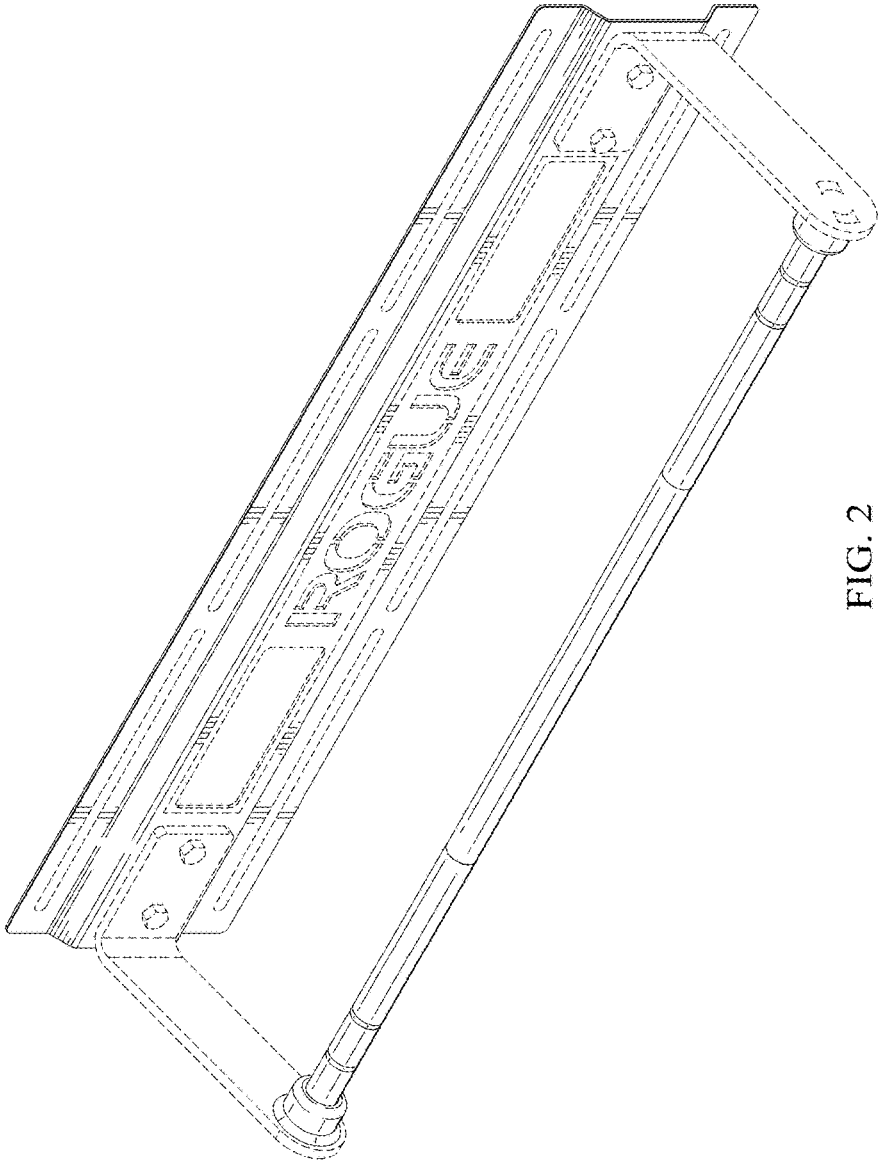


FIG. 2

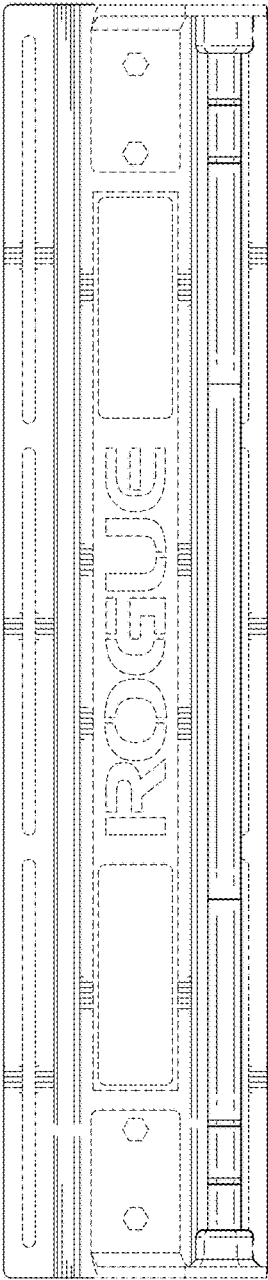


FIG. 3

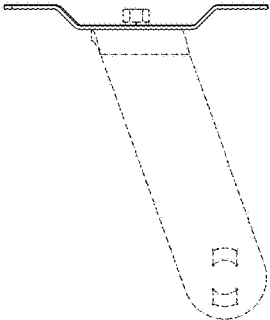


FIG. 5

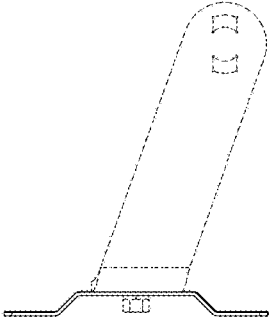


FIG. 4

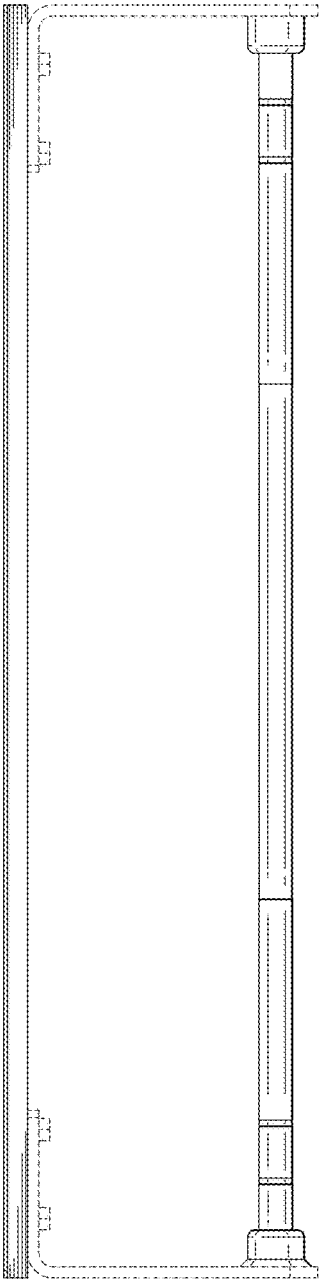


FIG. 6

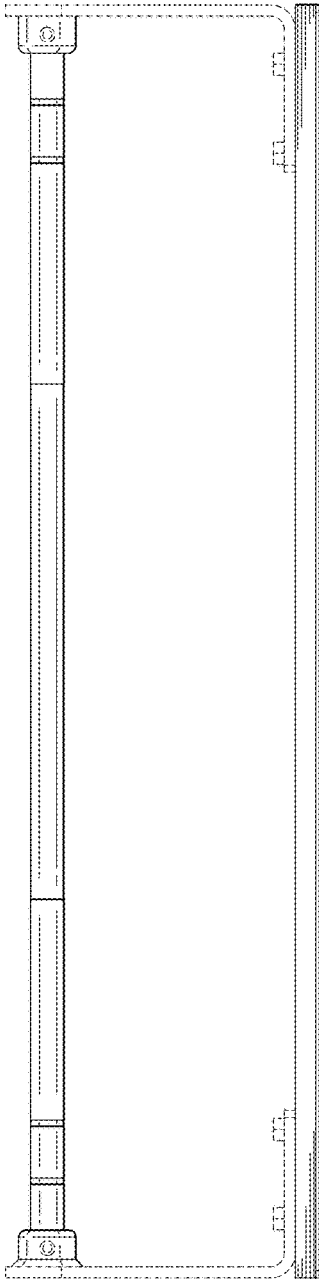


FIG. 7

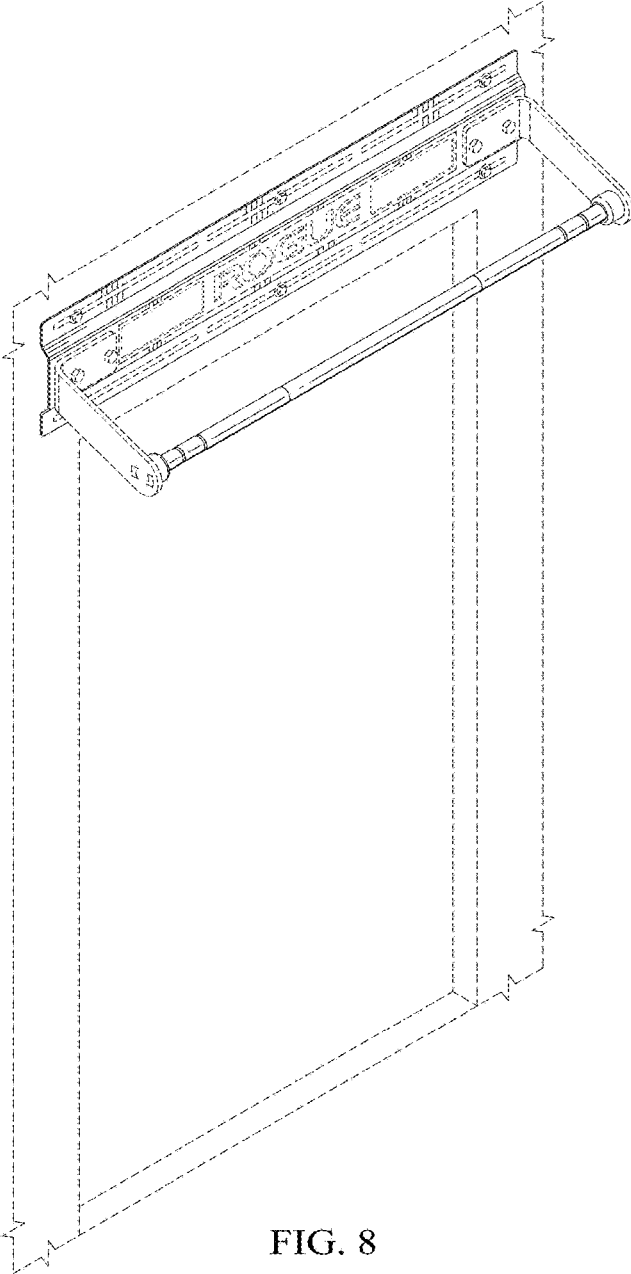


FIG. 8