



US00D540440S

(12) **United States Design Patent**
Helmetsie

(10) **Patent No.:** **US D540,440 S**

(45) **Date of Patent:** **** Apr. 10, 2007**

(54) **TUB**

(75) Inventor: **Eugene A. Helmetsie**, Spencer, NY (US)

(73) Assignee: **American Shower & Bath Corporation**, Moorestown, NJ (US)

(**) Term: **14 Years**

(21) Appl. No.: **29/222,018**

(22) Filed: **Jan. 25, 2005**

(51) **LOC (8) Cl.** **23-02**

(52) **U.S. Cl.** **D23/293.1**

(58) **Field of Classification Search** D23/270–271, D23/273, 284–287, 291, 293.1, 303, 308; 4/619, 624–625, 630, 661, DIG. 15; D21/524
See application file for complete search history.

(56) **References Cited**

U.S. PATENT DOCUMENTS

D97,281 S * 10/1935 Goeniger et al. D23/278
D208,395 S * 8/1967 Mustee D23/284

D444,549 S * 7/2001 Katz et al. D23/284
D464,715 S * 10/2002 Zarker D23/284
D471,265 S * 3/2003 Paredes et al. D23/293.1

* cited by examiner

Primary Examiner—Robert A. Delehanty

(74) *Attorney, Agent, or Firm*—Nirav D. Parikh; Lloyd D. Doigan

(57) **CLAIM**

The ornamental design for a tub, as shown and described.

DESCRIPTION

FIG. 1 is a top front perspective view of a tub showing my new design;

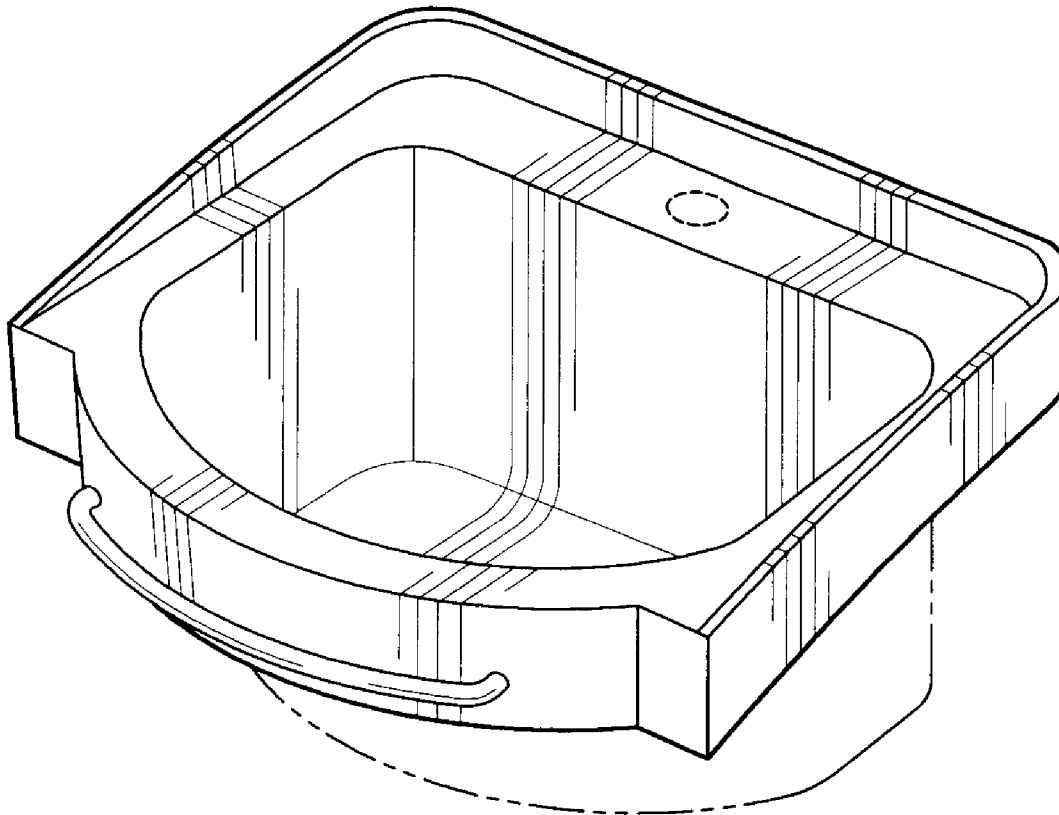
FIG. 2 is a left side perspective view, the right side being a mirror image thereof;

FIG. 3 is a front and left side perspective view, the right side being a mirror image thereof; and,

FIG. 4 is a top perspective view showing the left side and back.

The broken lines shown are for illustrative purposes only and form no part of the claimed design.

1 Claim, 1 Drawing Sheet



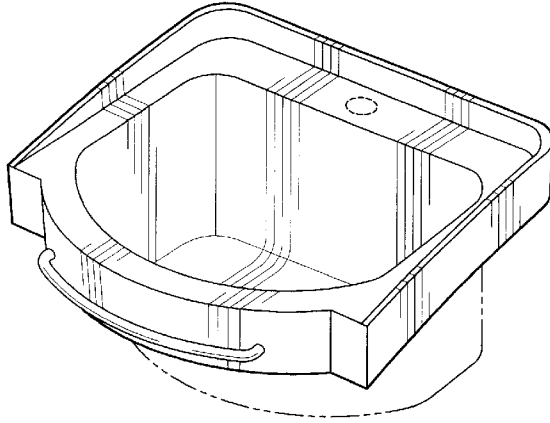


Fig-1

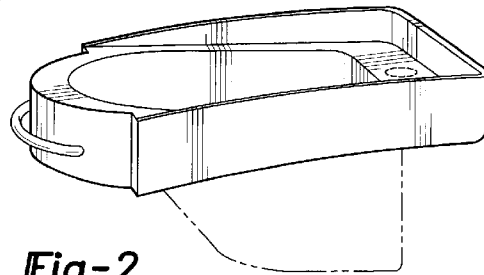


Fig-2

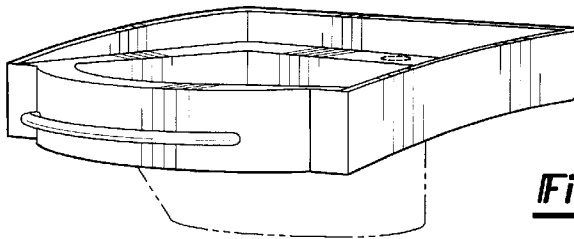


Fig-3

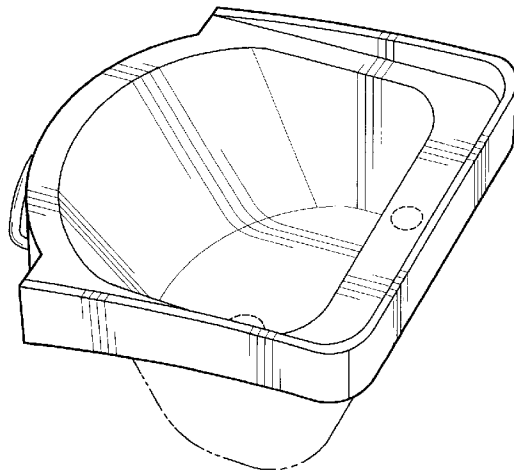


Fig-4