



US00D718834S

(12) **United States Design Patent**
Mayberry et al.

(10) **Patent No.:** **US D718,834 S**

(45) **Date of Patent:** **** Dec. 2, 2014**

(54) **ROUND LIMITER FOR A FIREARM MAGAZINE**

Primary Examiner — Michael A Pratt

(74) *Attorney, Agent, or Firm* — Swanson & Bratschun, L.L.C.

(71) Applicant: **Magpul Industries Corporation**, Erie, CO (US)

(72) Inventors: **Michael T. Mayberry**, Denver, CO (US); **Richard Fitzpatrick**, Longmont, CO (US); **Brian Nakayama**, Arvada, CO (US); **Nick Kielsmeier**, Thornton, CO (US)

(57) **CLAIM**

The ornamental design for a round limiter for a firearm magazine, as shown and described.

(73) Assignee: **Magpul Industries Corporation**, Erie, CO (US)

DESCRIPTION

(**) Term: **14 Years**

FIG. 1 is a left side elevation view of a round limiter showing our new design shown installed in a firearm magazine, with a left side portion of the magazine removed and the right side portion of the magazine shown in broken lines;

(21) Appl. No.: **29/467,922**

FIG. 2 is a front elevation view of the round limiter of FIG. 1; FIG. 3 is a rear elevation view of the round limiter of FIG. 1; FIG. 4 is a left side elevation view of the round limiter of FIG. 1;

(22) Filed: **Sep. 25, 2013**

(51) **LOC (10) Cl.** **22-01**

(52) **U.S. Cl.**
USPC **D22/108**

(58) **Field of Classification Search**

CPC F41A 9/61; F41A 9/62; F41A 9/63; F41A 9/64; F41A 9/65; F41A 9/68; F41A 9/69; F41A 9/73; F41A 9/74; F41A 9/75; F41A 9/79; F41A 9/86
USPC D22/108; 42/51, 71.01, 75.01, 75.02, 42/90, 94; 89/33.01

FIG. 5 is a right side elevation view of the round limiter of FIG. 1;

See application file for complete search history.

FIG. 6 is a top plan view of the round limiter of FIG. 1;

FIG. 7 is a bottom plan view of the round limiter of FIG. 1;

FIG. 8 is a top, front, left perspective view of the round limiter of FIG. 1;

FIG. 9 is a top, rear, right perspective view of the round limiter of FIG. 1;

(56) **References Cited**

U.S. PATENT DOCUMENTS

3,019,542 A * 2/1962 Manthos 42/18
3,777,383 A * 12/1973 Haines et al. 42/49.02

(Continued)

OTHER PUBLICATIONS

Magpul Print Catalog (2011) PMAG AR/M4 GEN M2 Limiters, p. 21.

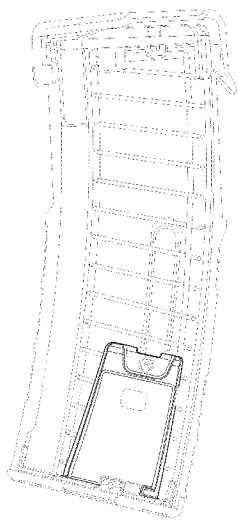
FIG. 10 is a bottom, front left perspective view of the round limiter of FIG. 1; and,

FIG. 11 is a left side elevation view an alternate embodiment of the round limiter of FIGS. 1-10, having all the design features thereof illustrating a break in the round limiter with no specific height being claimed, and it being understood that all other surfaces are the same as those of the round limiter of FIGS. 1-10.

The broken lines showing portions of the design in all figures is included for the purpose of illustrating environment and unclaimed features and forms not part of the claimed design.

(Continued)

1 Claim, 9 Drawing Sheets



(56)

References Cited

OTHER PUBLICATIONS

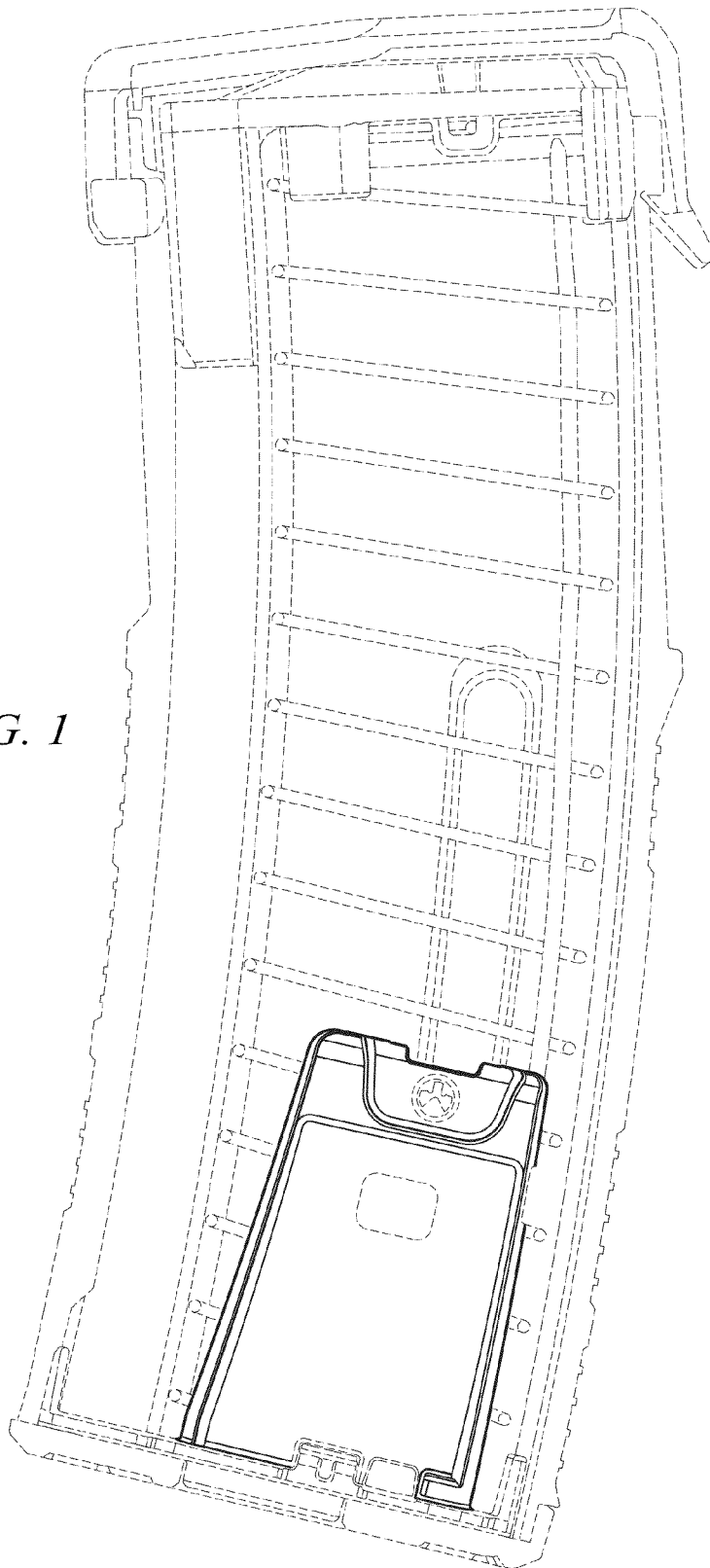
U.S. PATENT DOCUMENTS

8,713,835	B1 *	5/2014	Calvert	42/49.02
8,752,317	B1 *	6/2014	Calvert	42/49.02
2013/0192115	A1 *	8/2013	Calilung	42/49.01

Design U.S. Appl. No. 29/466,793, filed Sep. 11, 2013, "Round Limiter for a Firearm Magazine (LR/SR)" by Mayberry.

* cited by examiner

FIG. 1



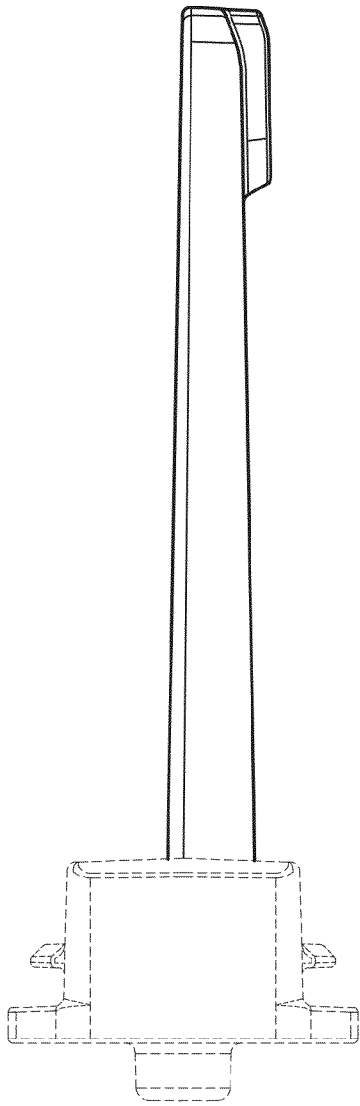


FIG. 2

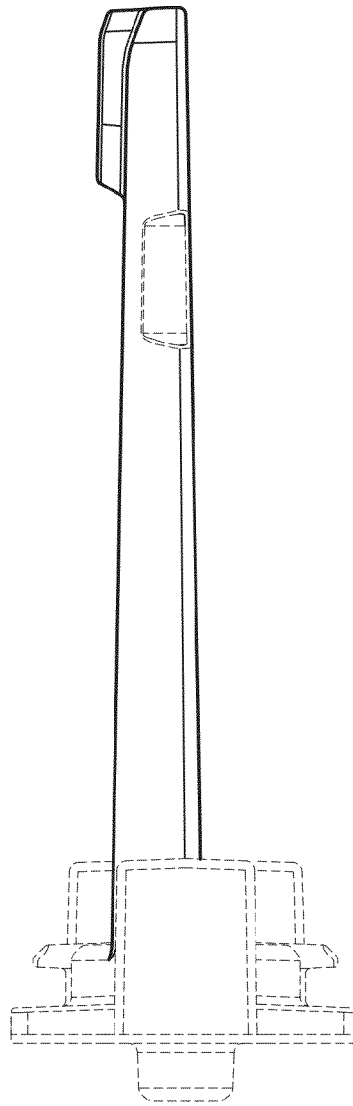


FIG. 3

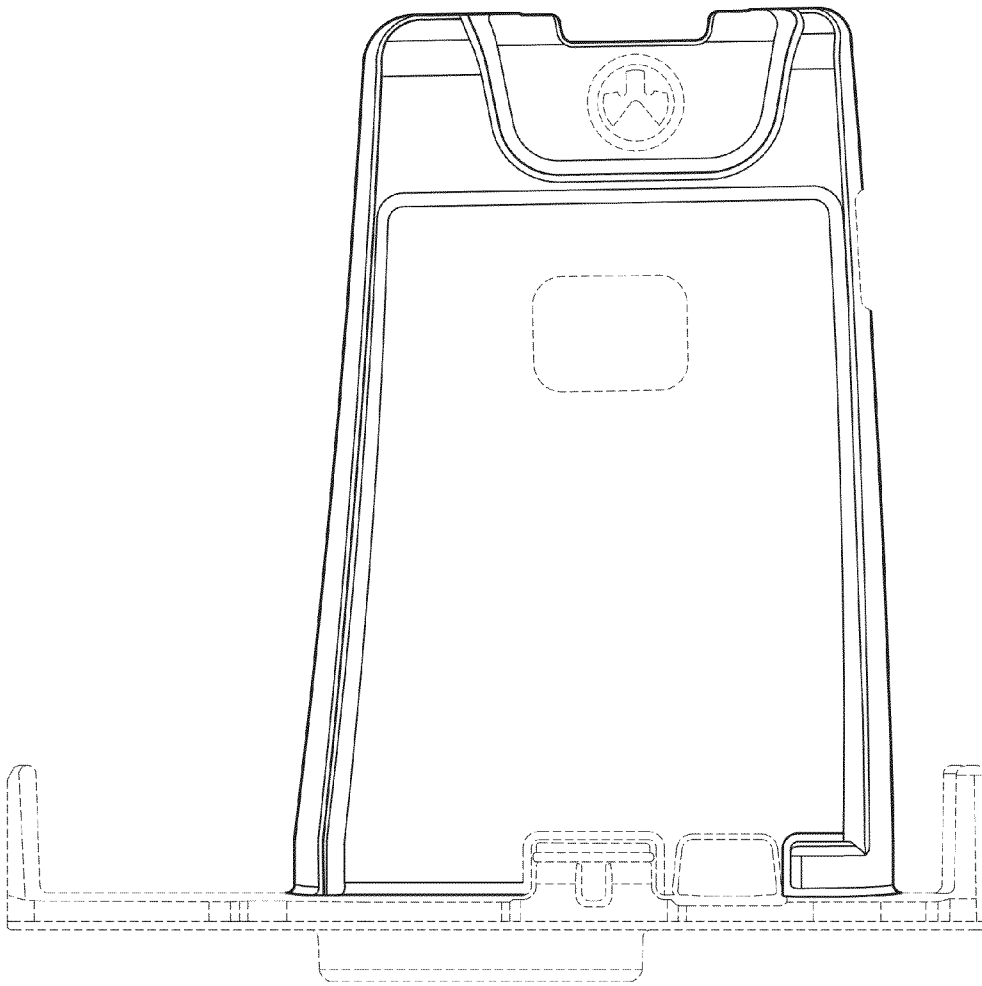


FIG. 4

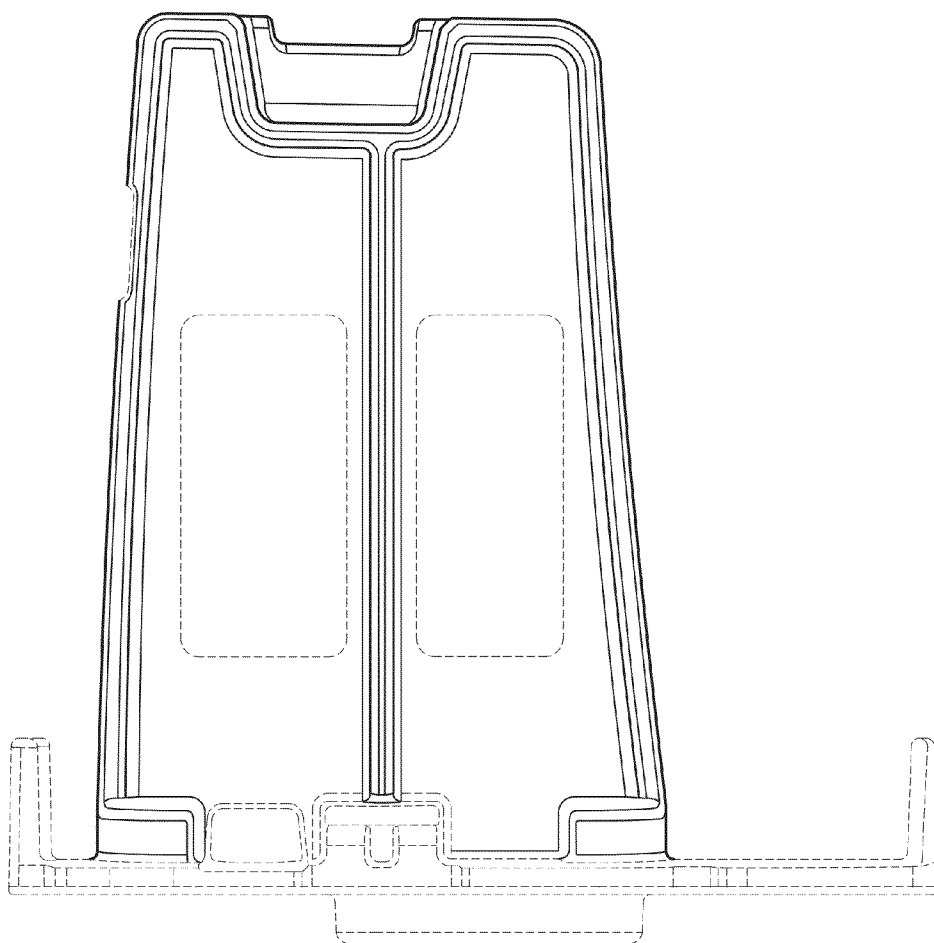


FIG. 5

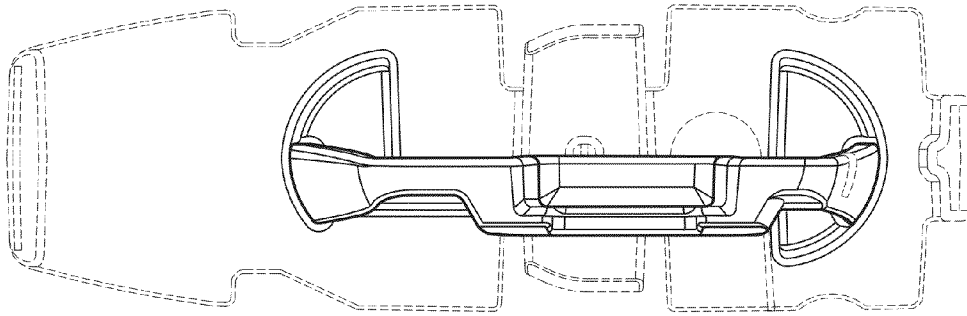


FIG. 6

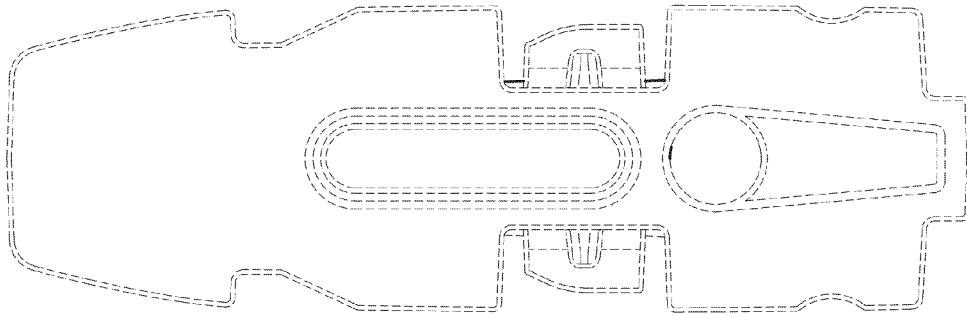


FIG. 7

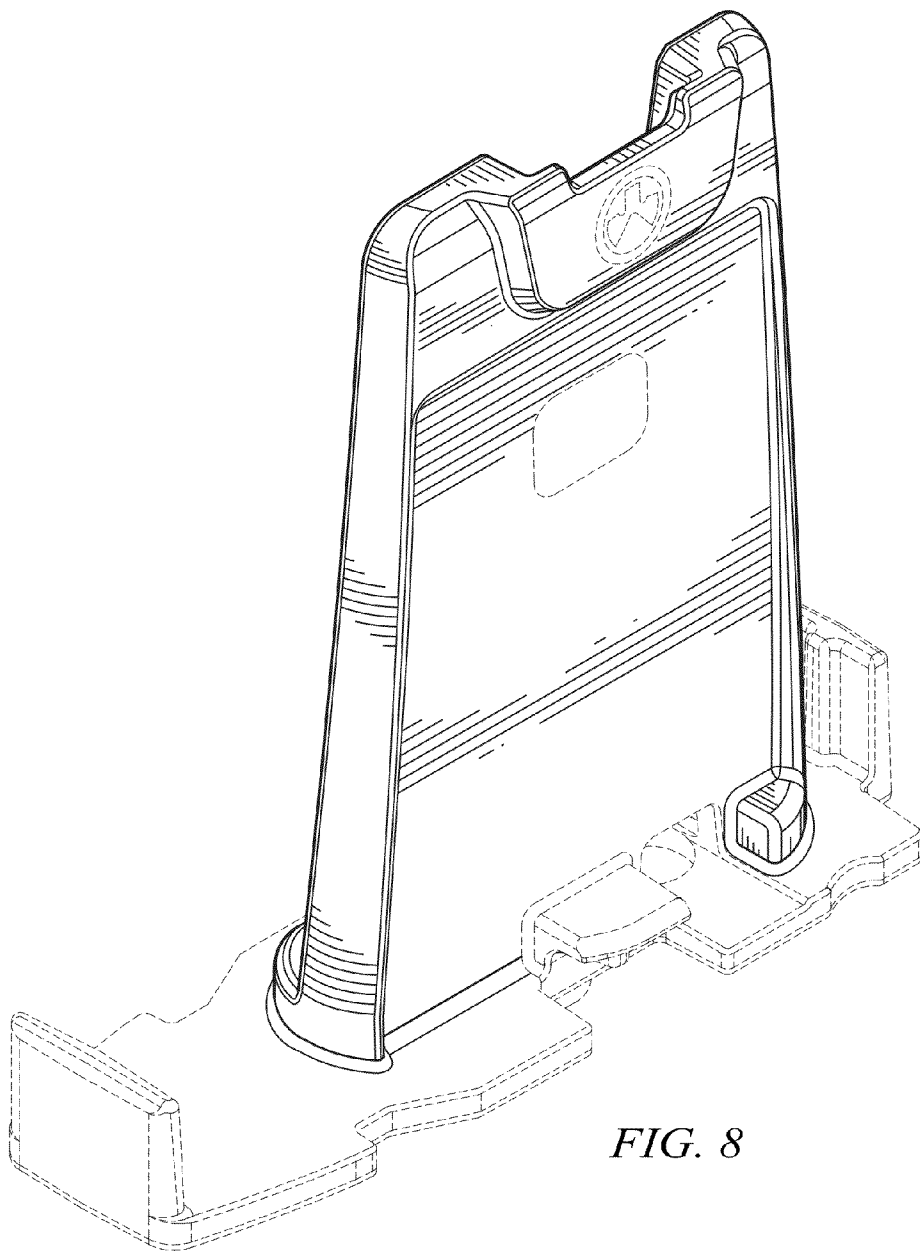


FIG. 8

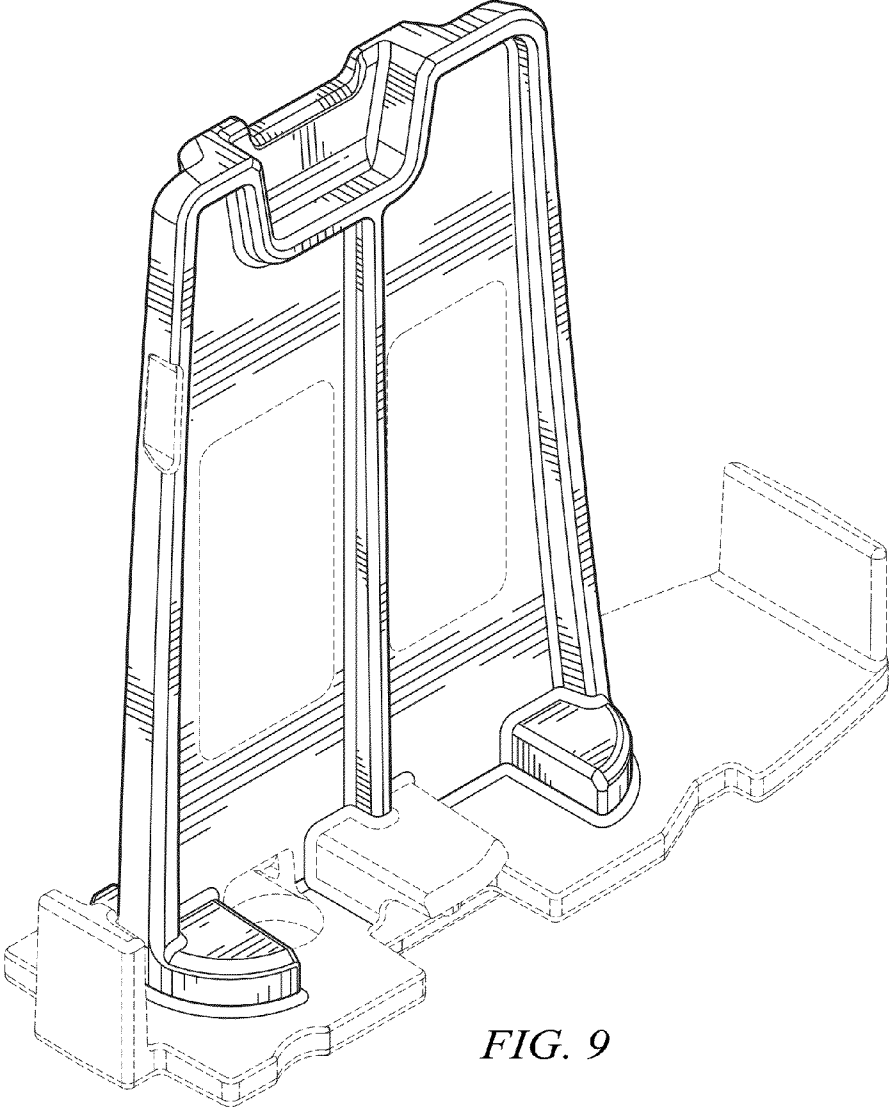


FIG. 9

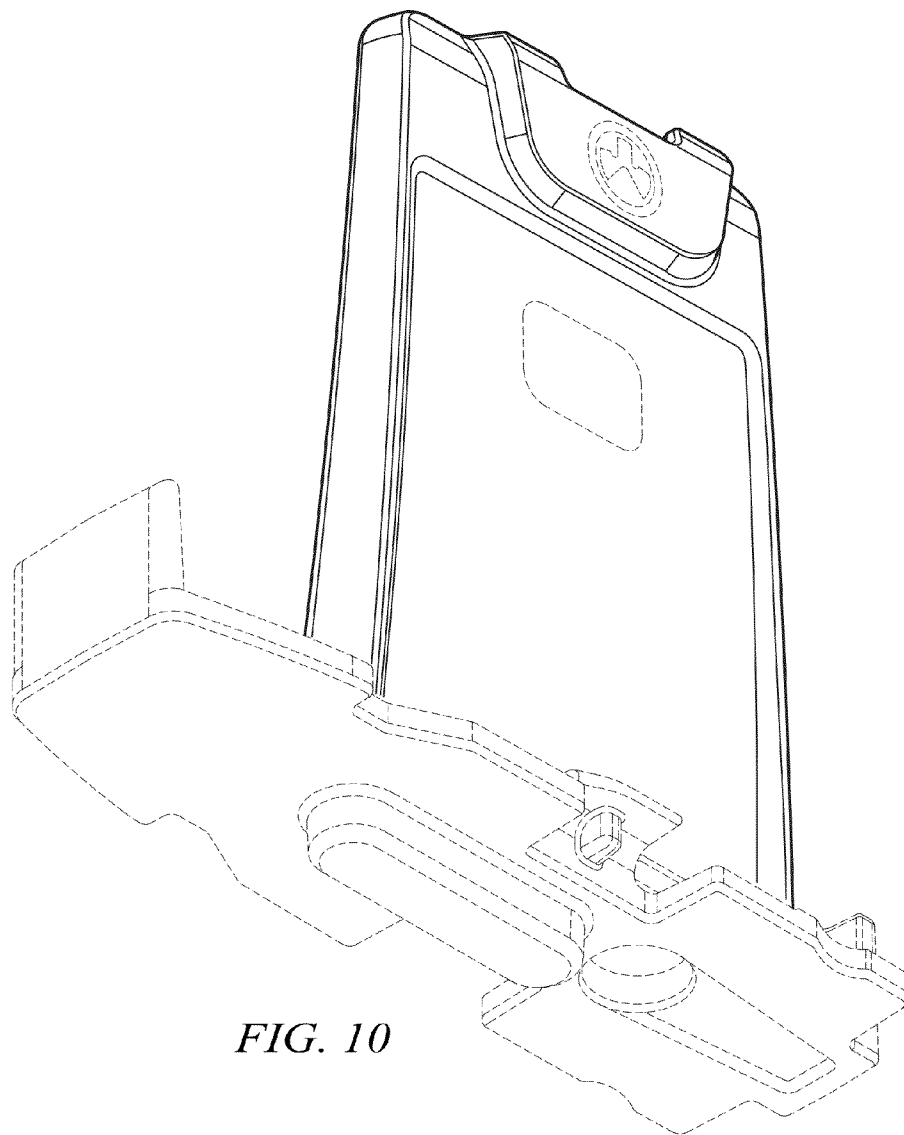


FIG. 10

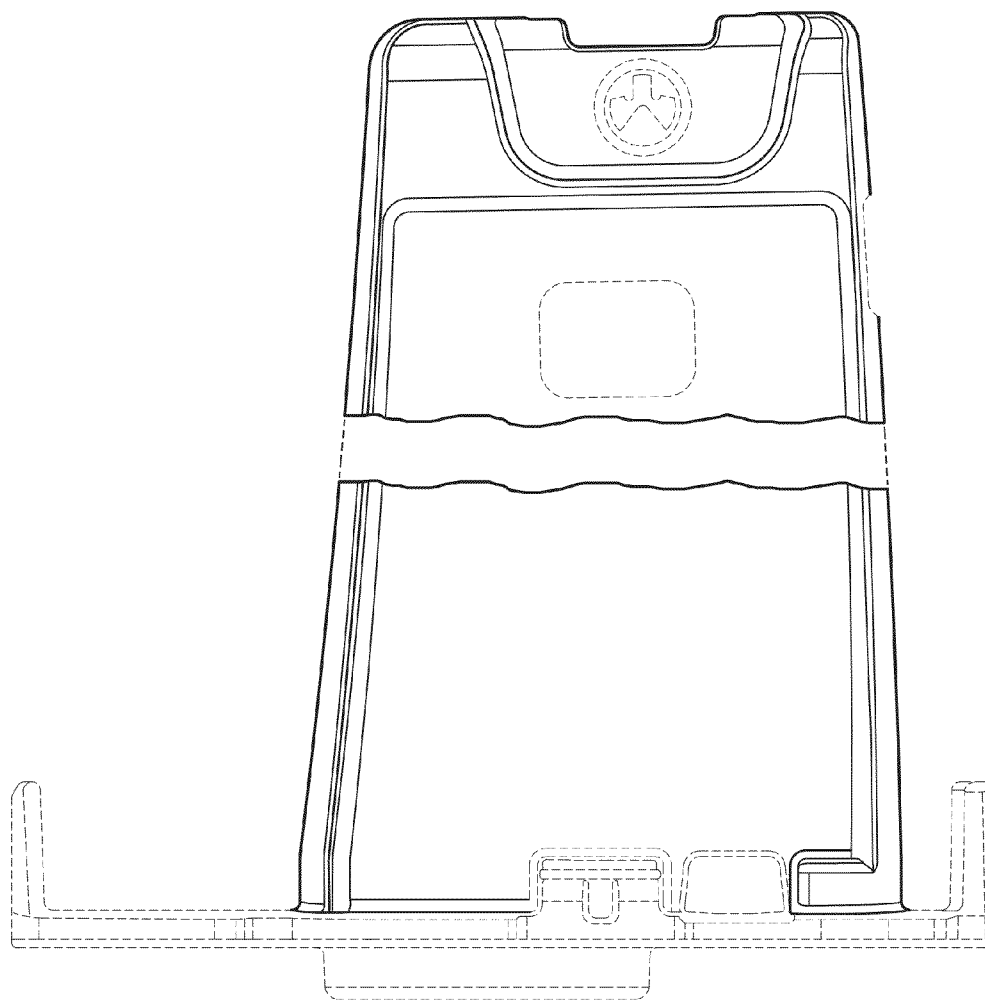


FIG. 11