



- (51) International Patent Classification:
G02B 6/38 (2006.01) G02B 6/44 (2006.01)
- (21) International Application Number:
PCT/US2019/058316
- (22) International Filing Date:
28 October 2019 (28.10.2019)
- (25) Filing Language: English
- (26) Publication Language: English
- (30) Priority Data:
16/193,278 16 November 2018 (16.11.2018) US
- (71) Applicant: **CORNING RESEARCH & DEVELOPMENT CORPORATION** [US/US]; One Riverfront Plaza, Corning, New York 14831 (US).
- (72) Inventors: **COTE, Monique Lise**; 4617 Mustang Drive, Fort Worth, Texas 76137 (US). **ROSSON, Joel Christo-**

pher; 280 44th Avenue Circle NW, Hickory, North Carolina 28601 (US).

(74) Agent: **CARROLL, JR., Michael E.** et al.; CORNING OPTICAL COMMUNICATIONS LLC, Intellectual Property Department, SP-TI-03-1, Corning, New York 14831 (US).

(81) Designated States (unless otherwise indicated, for every kind of national protection available): AE, AG, AL, AM, AO, AT, AU, AZ, BA, BB, BG, BH, BN, BR, BW, BY, BZ, CA, CH, CL, CN, CO, CR, CU, CZ, DE, DJ, DK, DM, DO, DZ, EC, EE, EG, ES, FI, GB, GD, GE, GH, GM, GT, HN, HR, HU, ID, IL, IN, IR, IS, JO, JP, KE, KG, KH, KN, KP, KR, KW, KZ, LA, LC, LK, LR, LS, LU, LY, MA, MD, ME, MG, MK, MN, MW, MX, MY, MZ, NA, NG, NI, NO, NZ, OM, PA, PE, PG, PH, PL, PT, QA, RO, RS, RU, RW, SA, SC, SD, SE, SG, SK, SL, SM, ST, SV, SY, TH, TJ, TM, TN, TR, TT, TZ, UA, UG, US, UZ, VC, VN, ZA, ZM, ZW.

(54) Title: MULTIPORT ASSEMBLIES INCLUDING A MODULAR ADAPTER SUPPORT ARRAY

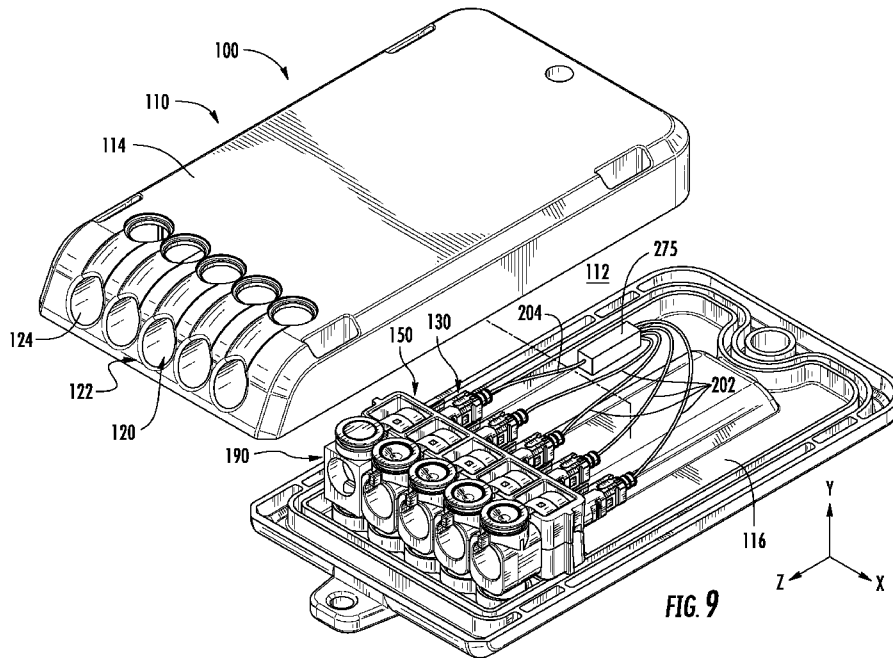


FIG. 9

(57) Abstract: A multiport assembly includes a shell defining a cavity positioned within the shell, a plurality of optical adapter assemblies, a modular adapter support array engaged with the plurality of optical adapter assemblies and positioned within the cavity, the modular adapter support array defining a plurality of adapter passageways extending through the modular adapter support array in a longitudinal direction, where each adapter passageway of the plurality of adapter passageways extends around at least a portion of a corresponding optical adapter assembly of the plurality of optical adapter assemblies, and a plurality of optical connector defining respective connector insertion paths extending inward from the plurality of optical connector ports to the cavity.



(84) Designated States (*unless otherwise indicated, for every kind of regional protection available*): ARIPO (BW, GH, GM, KE, LR, LS, MW, MZ, NA, RW, SD, SL, ST, SZ, TZ, UG, ZM, ZW), Eurasian (AM, AZ, BY, KG, KZ, RU, TJ, TM), European (AL, AT, BE, BG, CH, CY, CZ, DE, DK, EE, ES, FI, FR, GB, GR, HR, HU, IE, IS, IT, LT, LU, LV, MC, MK, MT, NL, NO, PL, PT, RO, RS, SE, SI, SK, SM, TR), OAPI (BF, BJ, CF, CG, CI, CM, GA, GN, GQ, GW, KM, ML, MR, NE, SN, TD, TG).

Published:

- *with international search report (Art. 21(3))*
- *before the expiration of the time limit for amending the claims and to be republished in the event of receipt of amendments (Rule 48.2(h))*

(88) Date of publication of the international search report:

18 June 2020 (18.06.2020)

INTERNATIONAL SEARCH REPORT

International application No
PCT/US2019/058316

A. CLASSIFICATION OF SUBJECT MATTER
INV. G02B6/38 G02B6/44
ADD.
According to International Patent Classification (IPC) or to both national classification and IPC

B. FIELDS SEARCHED
Minimum documentation searched (classification system followed by classification symbols)
G02B
Documentation searched other than minimum documentation to the extent that such documents are included in the fields searched

Electronic data base consulted during the international search (name of data base and, where practicable, search terms used)
EPO-Internal, WPI Data

C. DOCUMENTS CONSIDERED TO BE RELEVANT		
Category*	Citation of document, with indication, where appropriate, of the relevant passages	Relevant to claim No.
X	US 2015/253528 A1 (CORBILLE CHRISTOPHE [FR] ET AL) 10 September 2015 (2015-09-10)	1,6,7, 10,11, 18,23-25
A	paragraphs [0067] - [0069]; figures 5,6 -----	27-30
X	US 2018/081127 A1 (COENEGRACHT PHILIPPE [BE]) 22 March 2018 (2018-03-22)	1,6-10, 18,23-25
A	figures 1-6 -----	27-30
X	US 2011/262099 A1 (CASTONGUAY GUY [US] ET AL) 27 October 2011 (2011-10-27)	1,2,6-8, 10,11, 17-19, 23-25
A	paragraphs [0052] - [0056]; figures 1-12,17 ----- -/--	27-30

Further documents are listed in the continuation of Box C.

See patent family annex.

* Special categories of cited documents :

"A" document defining the general state of the art which is not considered to be of particular relevance

"E" earlier application or patent but published on or after the international filing date

"L" document which may throw doubts on priority claim(s) or which is cited to establish the publication date of another citation or other special reason (as specified)

"O" document referring to an oral disclosure, use, exhibition or other means

"P" document published prior to the international filing date but later than the priority date claimed

"T" later document published after the international filing date or priority date and not in conflict with the application but cited to understand the principle or theory underlying the invention

"X" document of particular relevance; the claimed invention cannot be considered novel or cannot be considered to involve an inventive step when the document is taken alone

"Y" document of particular relevance; the claimed invention cannot be considered to involve an inventive step when the document is combined with one or more other such documents, such combination being obvious to a person skilled in the art

"&" document member of the same patent family

Date of the actual completion of the international search

28 April 2020

Date of mailing of the international search report

13/05/2020

Name and mailing address of the ISA/

European Patent Office, P.B. 5818 Patentlaan 2
NL - 2280 HV Rijswijk
Tel. (+31-70) 340-2040,
Fax: (+31-70) 340-3016

Authorized officer

Ciarrocca, Marco

INTERNATIONAL SEARCH REPORT

International application No
PCT/US2019/058316

C(Continuation). DOCUMENTS CONSIDERED TO BE RELEVANT		
Category*	Citation of document, with indication, where appropriate, of the relevant passages	Relevant to claim No.
X	US 2016/238810 A1 (HUBBARD PAUL DAVID [AU] ET AL) 18 August 2016 (2016-08-18) paragraphs [0032], [0033], [0036], [0044]; figures 1,2 -----	1,17,18
X	KR 2013 0081087 A (AJ WORLD CO LTD [KR]) 16 July 2013 (2013-07-16) figures 4,6-10 -----	1,6-8, 10,11, 18,23-26
A	US 5 073 042 A (MULHOLLAND DENIS G [US] ET AL) 17 December 1991 (1991-12-17) column 1, lines 42-45; figure 1 -----	1
X,P	WO 2019/006176 A1 (CORNING RES & DEV CORP [US]) 3 January 2019 (2019-01-03) -----	1,6-8, 10-14, 16-18, 20-27,30
A,P	paragraphs [0078] - [0081], [0089] - [0091], [0128]; figures 6-11,40a,40b -----	28,29
A	US 2014/016902 A1 (PEPE PAUL JOHN [US] ET AL) 16 January 2014 (2014-01-16) paragraphs [0049] - [0052]; figures 1,2 paragraph [0061]; figure 5 -----	27-30

INTERNATIONAL SEARCH REPORT

International application No.
PCT/US2019/058316

Box No. II Observations where certain claims were found unsearchable (Continuation of item 2 of first sheet)

This international search report has not been established in respect of certain claims under Article 17(2)(a) for the following reasons:

1. Claims Nos.:
because they relate to subject matter not required to be searched by this Authority, namely:

2. Claims Nos.:
because they relate to parts of the international application that do not comply with the prescribed requirements to such an extent that no meaningful international search can be carried out, specifically:

3. Claims Nos.:
because they are dependent claims and are not drafted in accordance with the second and third sentences of Rule 6.4(a).

Box No. III Observations where unity of invention is lacking (Continuation of item 3 of first sheet)

This International Searching Authority found multiple inventions in this international application, as follows:

see additional sheet

1. As all required additional search fees were timely paid by the applicant, this international search report covers all searchable claims.
2. As all searchable claims could be searched without effort justifying an additional fees, this Authority did not invite payment of additional fees.
3. As only some of the required additional search fees were timely paid by the applicant, this international search report covers only those claims for which fees were paid, specifically claims Nos.:

4. No required additional search fees were timely paid by the applicant. Consequently, this international search report is restricted to the invention first mentioned in the claims; it is covered by claims Nos.:

Remark on Protest

- The additional search fees were accompanied by the applicant's protest and, where applicable, the payment of a protest fee.
- The additional search fees were accompanied by the applicant's protest but the applicable protest fee was not paid within the time limit specified in the invitation.
- No protest accompanied the payment of additional search fees.

FURTHER INFORMATION CONTINUED FROM PCT/ISA/ 210

This International Searching Authority found multiple (groups of) inventions in this international application, as follows:

1. claims: 1-26

Multiport assembly with optical adapters and modular adapter support array and method of assembling

2. claims: 27-30

Multiport assembly with optical adapters and push-button securing members

INTERNATIONAL SEARCH REPORT

Information on patent family members

International application No

PCT/US2019/058316

Patent document cited in search report	Publication date	Patent family member(s)	Publication date	
US 2015253528	A1	10-09-2015	BR 112015007551 A2	04-07-2017
			CN 104704411 A	10-06-2015
			EP 2717081 A1	09-04-2014
			MX 342187 B	20-09-2016
			RU 2015111651 A	27-11-2016
			US 2015253528 A1	10-09-2015
			WO 2014055592 A1	10-04-2014

US 2018081127	A1	22-03-2018	EP 3278155 A1	07-02-2018
			US 2018081127 A1	22-03-2018
			US 2019271817 A1	05-09-2019
			WO 2016156610 A1	06-10-2016

US 2011262099	A1	27-10-2011	AU 2008219677 A1	04-09-2008
			EP 2115513 A1	11-11-2009
			US 2008205843 A1	28-08-2008
			US 2009148119 A1	11-06-2009
			US 2011262099 A1	27-10-2011
			WO 2008106127 A1	04-09-2008

US 2016238810	A1	18-08-2016	AU 2016221423 A1	17-08-2017
			BR 112017017259 A2	17-04-2018
			CN 107438785 A	05-12-2017
			EP 3259629 A1	27-12-2017
			US 2016238810 A1	18-08-2016
			US 2018331761 A1	15-11-2018
			US 2019222317 A1	18-07-2019
			WO 2016132216 A1	25-08-2016

KR 20130081087	A	16-07-2013	KR 20130081087 A	16-07-2013
			WO 2013103206 A1	11-07-2013

US 5073042	A	17-12-1991	NONE	

WO 2019006176	A1	03-01-2019	NONE	

US 2014016902	A1	16-01-2014	AU 2013290212 A1	29-01-2015
			BR 112015000421 A2	27-06-2017
			CA 2878389 A1	16-01-2014
			CL 2015000070 A1	07-08-2015
			CN 104603656 A	06-05-2015
			CN 106886073 A	23-06-2017
			EP 2872939 A2	20-05-2015
			JP 2015528185 A	24-09-2015
			KR 20150032720 A	27-03-2015
			US 2014016902 A1	16-01-2014
			US 2015346436 A1	03-12-2015
			US 2018246283 A1	30-08-2018
			WO 2014011774 A2	16-01-2014
