



US00D745627S

(12) **United States Design Patent**
Kielsmeier et al.

(10) **Patent No.:** **US D745,627 S**

(45) **Date of Patent:** **** Dec. 15, 2015**

- (54) **FOLDING FIREARM STOCK**
- (71) Applicant: **Magpul Industries Corporation**, Erie, CO (US)
- (72) Inventors: **Nicholas Kielsmeier**, Denver, CO (US); **Thomas Ward, Jr.**, Tualatin, CO (US); **William B. Bennett**, Lafayette, CO (US); **Michael T. Mayberry**, Denver, CO (US); **Richard Fitzpatrick**, West Lake Hills, TX (US); **Grady Barfoot**, Denver, CO (US); **Timothy Roberts**, Erie, CO (US)

(73) Assignee: **Magpul Industries Corporation**, Louisville, CO (US)

(**) Term: **14 Years**

(21) Appl. No.: **29/497,272**

(22) Filed: **Jul. 22, 2014**

(51) **LOC (10) Cl.** **22-01**

(52) **U.S. Cl.**
USPC **D22/108**

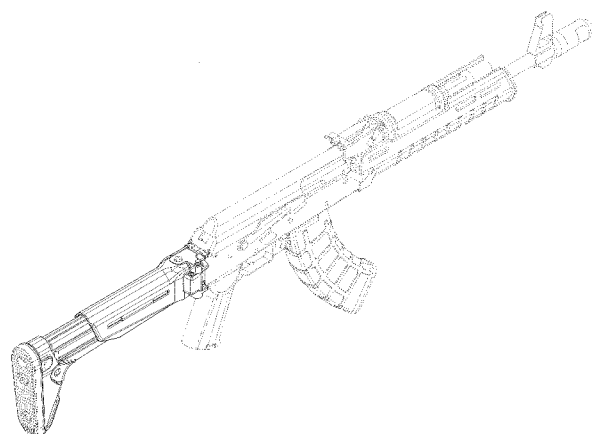
(58) **Field of Classification Search**
USPC D22/103, 108; D21/572-573
CPC F41C 23/04; F41C 23/06; F41C 23/14;
F41C 23/22; F41C 33/007
See application file for complete search history.

(56) **References Cited**

U.S. PATENT DOCUMENTS

922,173 A 5/1909 Lovelace
1,032,628 A 7/1912 Sherman
1,651,299 A 11/1927 Stansel
D196,304 S 9/1963 Hoge
3,618,249 A 11/1971 Grandy
3,710,496 A 1/1973 Packmayr
D241,836 S 10/1976 Ruger
4,120,108 A 10/1978 Vickers
4,122,623 A 10/1978 Stice
4,203,243 A 5/1980 Hickman
4,589,219 A 5/1986 Milliman
4,663,877 A 5/1987 Bragg

D297,855 S 9/1988 Ruger
4,788,785 A 12/1988 White
D304,223 S 10/1989 Ruger
4,896,446 A 1/1990 Gregory
5,031,348 A 7/1991 Carey
5,075,995 A 12/1991 Kennel
D324,557 S 3/1992 Livingston
5,933,997 A 8/1999 Barrett
D462,104 S 8/2002 McCarthy
6,598,330 B2 7/2003 Garrett
6,637,141 B1 10/2003 Weatherby
D514,123 S 1/2006 Naruki
D516,660 S 3/2006 Murello
D516,807 S 3/2006 Richardson
D517,637 S 3/2006 Murello
7,162,823 B2 1/2007 Schoppman
D551,313 S 9/2007 Saur
D589,578 S 3/2009 Choma
D603,013 S 10/2009 Fitzpatrick
D606,614 S 12/2009 Fitzpatrick
7,647,719 B2 1/2010 Fitzpatrick
7,827,722 B1 11/2010 Davies
D636,833 S 4/2011 Mayberry
D636,834 S 4/2011 Mayberry
D639,891 S 6/2011 Chvala
D640,342 S 6/2011 Fitzpatrick
D645,110 S 9/2011 Cook
D645,533 S 9/2011 Peterson
D648,412 S 11/2011 Cook
D661,366 S 6/2012 Zusman
D661,768 S 6/2012 Keng
D668,311 S 10/2012 Rogers
D676,921 S 2/2013 Fitzpatrick
D680,611 S 4/2013 Emde
D680,613 S 4/2013 Fitzpatrick
D681,151 S 4/2013 Fitzpatrick
D683,808 S 6/2013 Elkaim
D688,768 S 8/2013 Fitzpatrick
D691,234 S 10/2013 Fitzpatrick
D692,087 S 10/2013 Fitzpatrick
D695,377 S 12/2013 Mayberry
D700,265 S 2/2014 Mayberry et al.
8,656,622 B2 2/2014 Peterson
D704,294 S 5/2014 Jarboe
8,720,099 B1 5/2014 Sisk
D706,879 S 6/2014 Chu
8,769,853 B1 7/2014 LaRue
8,844,185 B2* 9/2014 Jarboe F41C 23/04
42/73
D722,669 S 2/2015 Keller
D722,671 S 2/2015 Mayberry
9,109,855 B1* 8/2015 Kincel F41C 23/20
2007/0130817 A1 6/2007 Ballard



2007/0180984	A1	8/2007	Huther	
2008/0028662	A1	2/2008	Abraham	
2008/0034638	A1	2/2008	Spuhr	
2008/0052979	A1	3/2008	Lee	
2008/0168695	A1	7/2008	Nakayama	
2008/0236016	A1	10/2008	Fitzpatrick	
2008/0236017	A1	10/2008	Fitzpatrick	
2009/0241397	A1	10/2009	Fitzpatrick	
2010/0115817	A1	5/2010	Faifer	
2010/0205846	A1	8/2010	Fitzpatrick	
2010/0251590	A1	10/2010	Fitzpatrick	
2010/0275489	A1	11/2010	Cabahug	
2011/0173863	A1	7/2011	Ingram	
2011/0192067	A1	8/2011	Troy	
2011/0283586	A1	11/2011	Scallie	
2012/0073177	A1	3/2012	Laney	
2012/0137562	A1*	6/2012	Langevin	F41C 23/04 42/75.03
2012/0174455	A1	7/2012	Edelman	
2012/0174456	A1	7/2012	Depierro	
2012/0174457	A1	7/2012	Edelman	
2012/0279384	A1	11/2012	Hochstrate	
2014/0075815	A1	3/2014	Jarboe	
2015/0013203	A1*	1/2015	Lopiccolo	F41C 23/04 42/73

OTHER PUBLICATIONS

Command Arms Accessories Online Catalog (2008) SRS Product Information.

Defensive_Edge_Sully_Stock Defensive Edge Training and Consulting, Inc. Online Catalog (2010) "Sully Stock" Available Website: http://www.thedefensiveedge.com/category_s/51.htm; Last Update: Unknown.

Heckler & Koch Online Catalog (2008) PSG1A1 Product Information.

Magpul Online Catalog (2007) FAL Preproduction Product Information.

Magpul Online Catalog (2007) PRS Ar15/M16 Product Information.

Total_Silence_Home_of_the_XM607_Buttstock TSI Online Catalog (2011) "Total Silence—Home of the XM607 Buttstock" Available Website: <http://totalsilenceinc.com/>; Last Update: Unknown.

Design U.S. Appl. No. 29/302,198, filed Jan. 11, 2008, "Automatic Rifle" by Fitzpatrick.

Design U.S. Appl. No. 29/399,326, filed Aug. 12, 2011, "ACS Rifle Stock" by Fitzpatrick.

Design U.S. Appl. No. 29/403,627, filed Oct. 7, 2011, "Stock for Firearm" by Mayberry.

Design U.S. Appl. No. 29/405,857, filed Nov. 7, 2011, "Stock for a Firearm" by Fitzpatrick Issued.

Design U.S. Appl. No. 29/410,910, filed Jan. 13, 2012, "PMAG 30M3 Firearm Magazine" by Fitzpatrick Issued.

Design U.S. Appl. No. 29/420,155, filed May 4, 2012, "Translucent Magazine for a Firearm" by Fitzpatrick.

Design U.S. Appl. No. 29/423,116, filed May 29, 2012, "M3 10 Magazine" by Bennett Issued.

Design U.S. Appl. No. 29/423,117, filed May 29, 2012, "M3 20 Magazine" by Bennett.

Design U.S. Appl. No. 29/440,787, filed Dec. 27, 2012, "Firearm Magazine" by Mayberry.

Design U.S. Appl. No. 29/440,889, filed Dec. 28, 2012, "Firearm Magazine" by Kielsmeier.

Design U.S. Appl. No. 29/440,792, filed Dec. 27, 2012, "Firearm Magazine with Window" by Kielsmeier.

Design U.S. Appl. No. 29/450,963, filed Mar. 26, 2013, "Magazine for a Firearm" by Nakayama.

Design U.S. Appl. No. 29/450,964, filed Mar. 26, 2013, "Magazine for a Firearm" by Nakayama.

Magpul_CTR_MOE_025_CHEEK_RISER Magpul Industries Corporation CTR®/MOE® 0.25" Cheek Riser; Website [Online] Available Website: <http://www.magpul.com/products/ctr%C2%AE-moe%C2%AE-0-25-cheek-riser?VariantID=VO343>; Last Update: Unknown; Accessed on: Jan. 30, 2015.

Magpul_CTR_MOE_050_CHEEK_RISER Magpul Industries Corporation CTR®/MOE® 0.50" Cheek Riser; Website [Online] Available Website: <http://www.magpul.com/products/ctr%C2%AE-moe%C2%AE-0-50-cheek-riser?VariantID=VO343%22>; Last Update: Unknown; Accessed on: Jan. 30, 2015.

Magpul_CTR_MOE_075_CHEEK_RISER Magpul Industries Corporation CTR®/MOE® 0.75" Cheek Riser; Website [Online] Available Website: <http://www.magpul.com/products/ctr%C2%AE-moe%C2%AE-0-75-cheek-riser?VariantID=VO343>; Last Update: Unknown; Accessed on: Jan. 30, 2015.

Design U.S. Appl. No. 29/486,193, "Firearm Stock" filed Mar. 27, 2014.

Design U.S. Appl. No. 29/486,201, "Stock Butt Pad" filed Mar. 27, 2014.

Design U.S. Appl. No. 29/504,958, "Cheek Rest for a Firearm" filed Oct. 10, 2014.

Design U.S. Appl. No. 29/508,882, "Firearm Stock" filed Nov. 12, 2014.

Design U.S. Appl. No. 29/512,719, "Fixed Stock for a Firearm" filed Dec. 22, 2014.

Magpul_2012_SGA_High_Cheek_Riser_Kit Magpul Industries Corporation (Jan. 20, 2012) SGA® High Cheek Riser Kit; Website [Online] Available Website: <http://store.magpul.com/product/MAG461/shotgun>; Last Update: Jul. 1, 2014; Accessed on: Nov. 13, 2014.

Magpul_2012_SGA_Low_Cheek_Riser_Kit Magpul Industries Corporation (Date) SGA® Low Cheek Riser Kit; Website [Online] Available Website: <http://store.magpul.com/product/MAG463/shotgun>; Last Update: Jul. 2, 2014 ; Accessed on: Nov. 13, 2014.

Magpul_2013_SGA_Receiver_Sling_Mount Magpul Industries Corporation (Jan. 18, 2013) SGA® Receiver Sling Mount—Mossberg 500/590/590A1 SGA Stock; Website [Online] Available Website: <http://store.magpul.com/product/MAG492/shotgun>; Last Update: Jul. 27, 2014; Accessed on: Nov. 13, 2014.

Magpul_2013_SGA_Stock_Mossberg_500_590_590A1_Shotgun Magpul Industries Corporation (Jan. 18, 2013) SGA® Stock—Mossberg 500/590/590A1 Shotgun; Website [Online] Available Website: <http://store.magpul.com/product/MAG490/shotgun>; Last Update: Jul. 1, 2014; Accessed on: Nov. 13, 2014.

* cited by examiner

Primary Examiner — Michael A Pratt
(74) Attorney, Agent, or Firm — Swanson & Bratachun, L.L.C.

(57) CLAIM

The ornamental design for a folding firearm stock, as shown and described.

DESCRIPTION

FIG. 1 is a top, right, rear perspective view of a first embodiment of a folding firearm stock attached to a firearm showing our new design with the folded firearm stock in a partially extended, deployed state;

FIG. 2 is a top, right, rear perspective view of the folding firearm stock of FIG. 1 with the folded firearm stock in a non-extended, folded state;

FIG. 3 is a top, right, rear perspective view of the folding firearm stock of FIG. 1;

FIG. 4 is a left side elevation view of the folding firearm stock of FIG. 1;

FIG. 5 is a right side elevation view of the folding firearm stock of FIG. 1;

FIG. 6 is a rear elevation view of the folding firearm stock of FIG. 1;

FIG. 7 is a front elevation view of the folding firearm stock of FIG. 1;

FIG. 8 is a top plan view of the folding firearm stock of FIG. 1;

FIG. 9 is a bottom plan view of the folding firearm stock of FIG. 1;

FIG. 10 is a bottom, left, front view of the folding firearm stock of FIG. 1;

FIG. 11 is a top, right, rear perspective view of the folding firearm stock of FIG. 1 having a low-rise embodiment of a cheek rest shown deployed on the top side of the folding firearm stock, the top, left, rear perspective view being a mirror image of the low-rise embodiment of a cheek rest and the remainder of the folding firearm stock being identical to that shown in FIGS. 1-10;

FIG. 12 is a top, right, rear perspective view of the folding firearm stock of FIG. 1 having a medium-rise embodiment of a cheek rest shown deployed on the top side of the folding firearm stock, the top, left, rear perspective view being a mirror image of the medium-rise embodiment of a cheek rest and the remainder of the folding firearm stock being identical

to that shown in FIGS. 1-10, the medium rise embodiment of the cheek rest differing from the low-rise embodiment of the cheek rest only by the height the cheek rest extends above the top side of the folding firearm; and,

FIG. 13 is a top, right, rear perspective view of the folding firearm stock of FIG. 1 having a high-rise embodiment of a cheek rest shown deployed on the top side of the folding firearm stock, the top, left, rear perspective view being a mirror image of the high-rise embodiment of a cheek rest and the remainder of the folding firearm stock being identical to that shown in FIGS. 1-10, the high-rise embodiment of the cheek rest differing from the medium-rise embodiment of the cheek rest only by the height the cheek rest extends above the top side of the folding firearm.

The broken lines showing portions of the design in all figures are included for the purpose of illustrating environment and unclaimed features and forms not part of the claimed design.

1 Claim, 11 Drawing Sheets

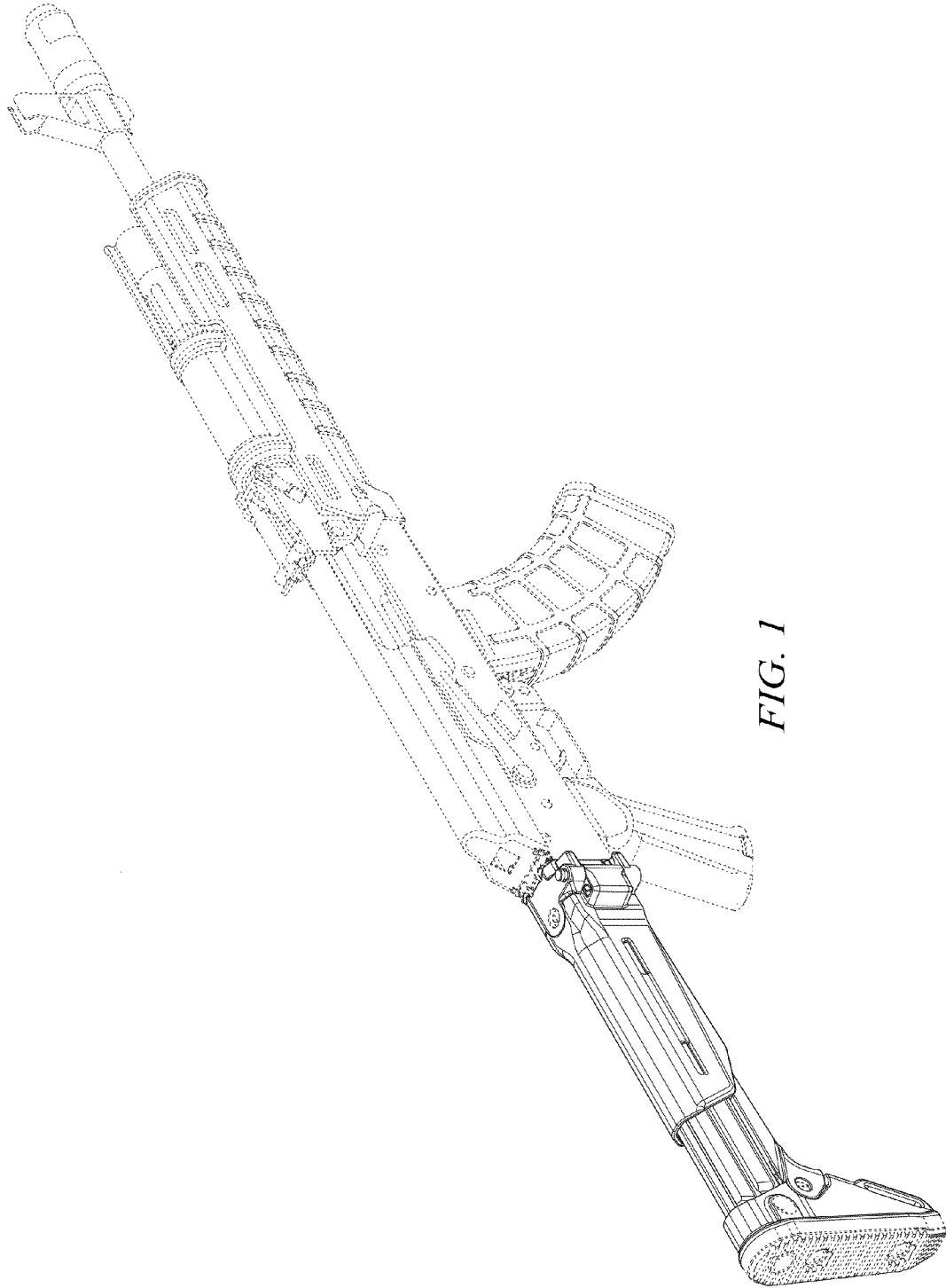


FIG. 1

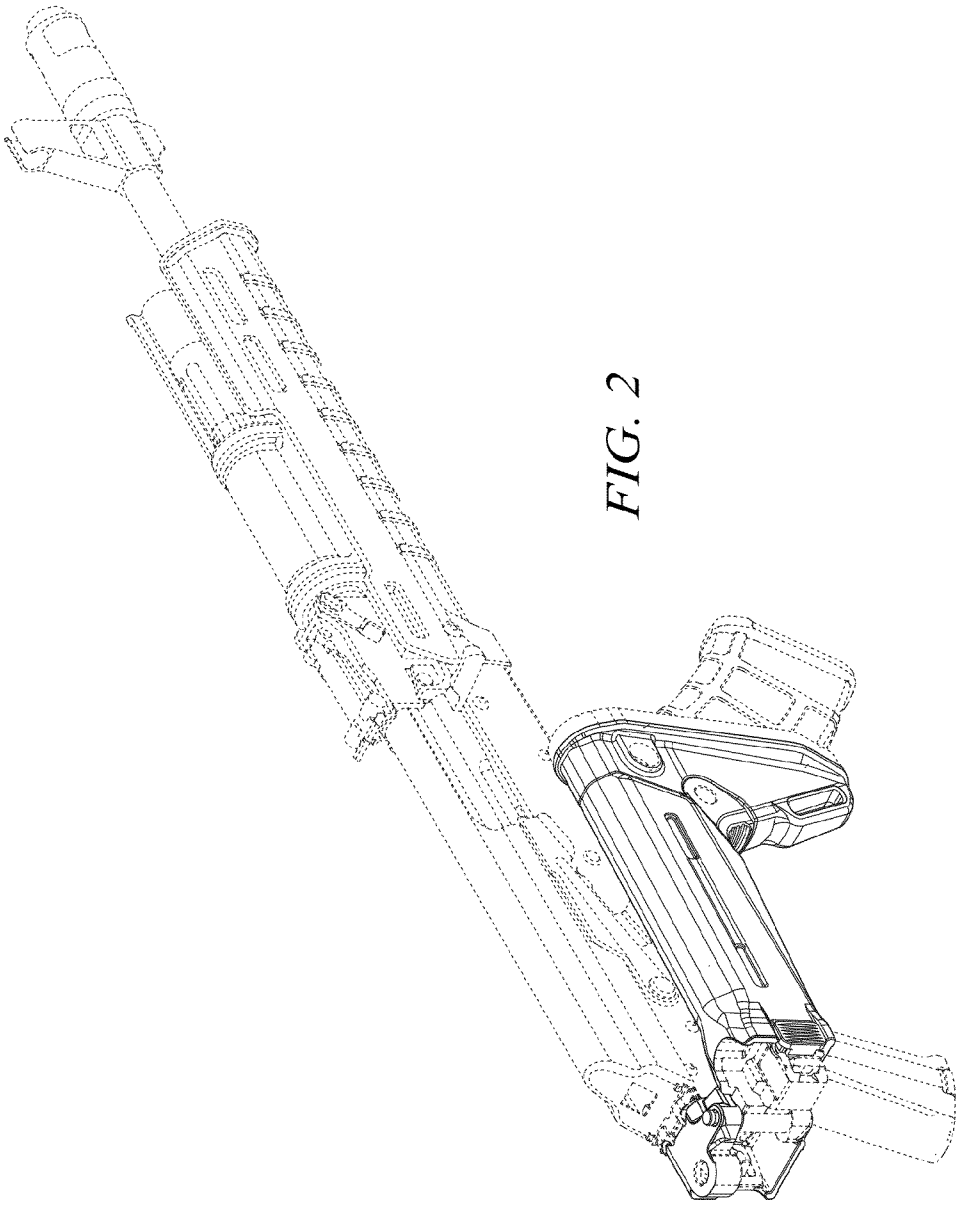


FIG. 2

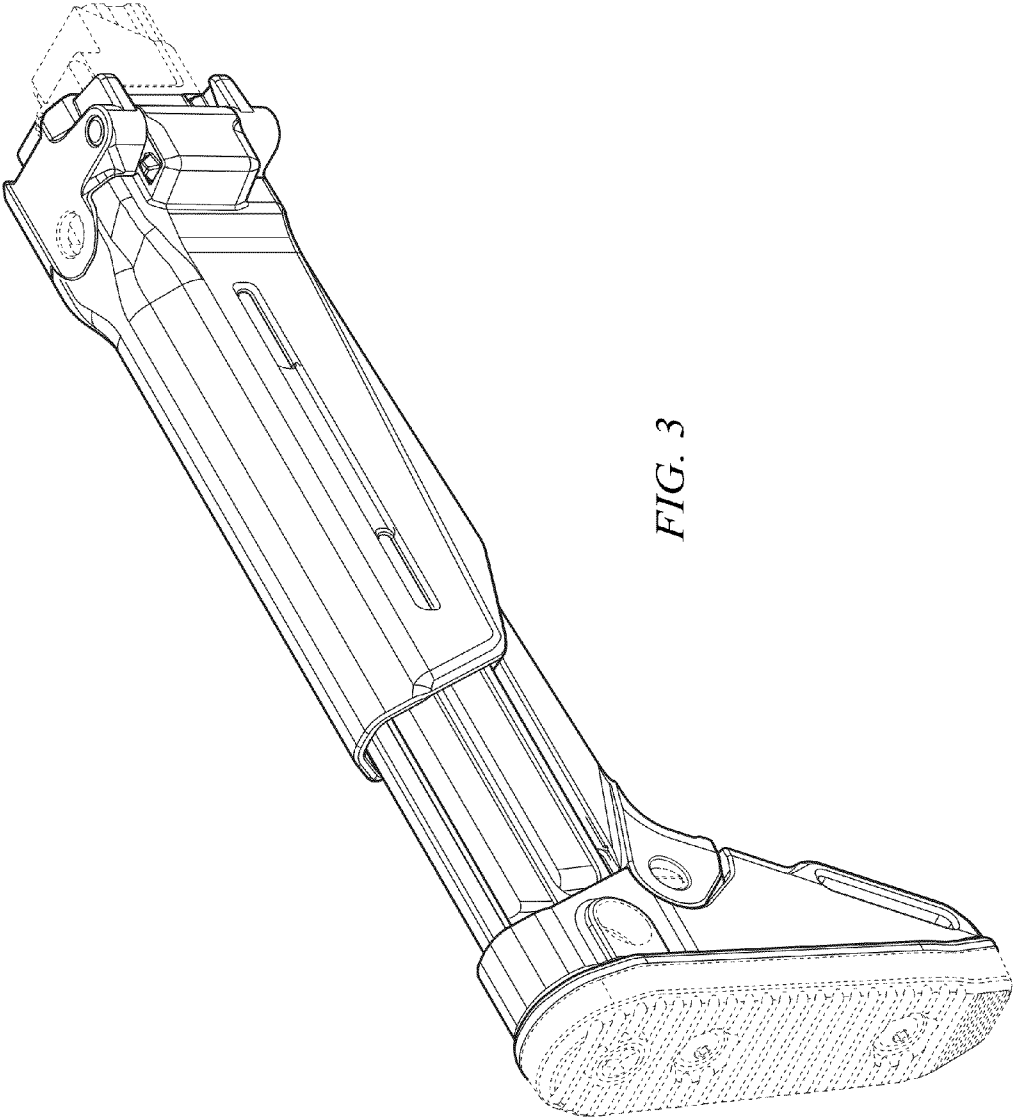


FIG. 3

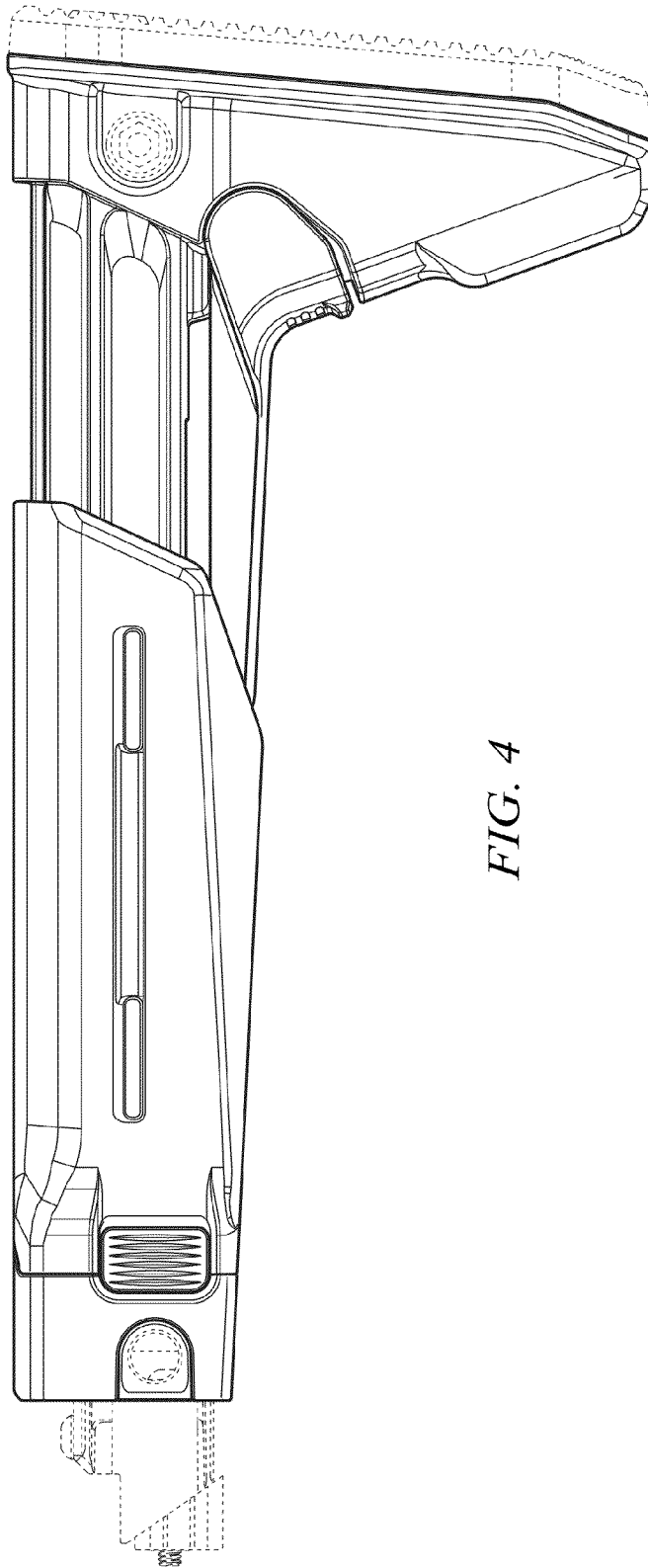


FIG. 4

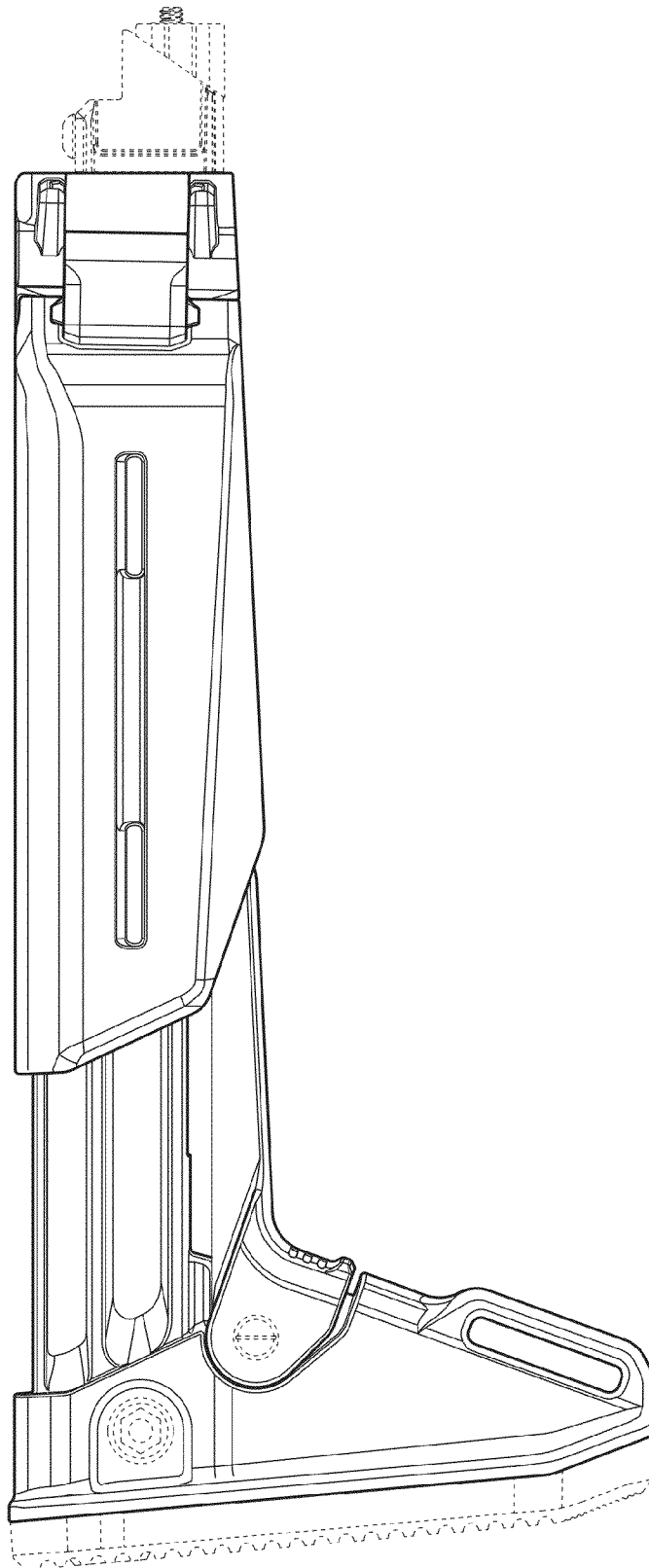


FIG. 5

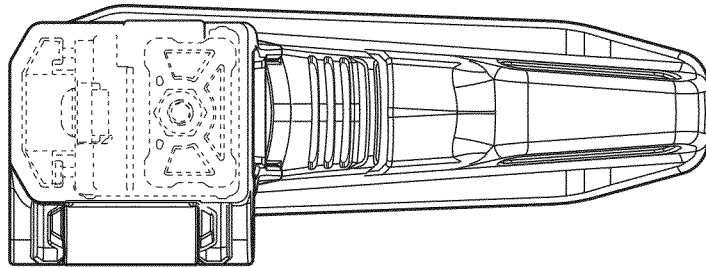


FIG. 7

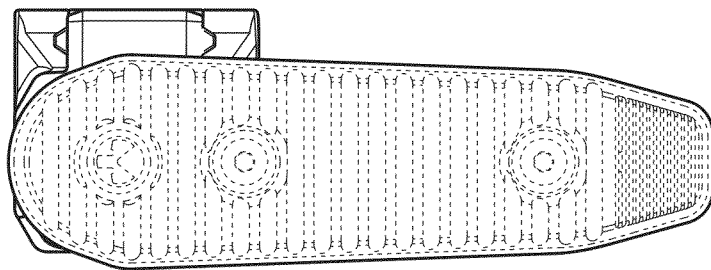


FIG. 6

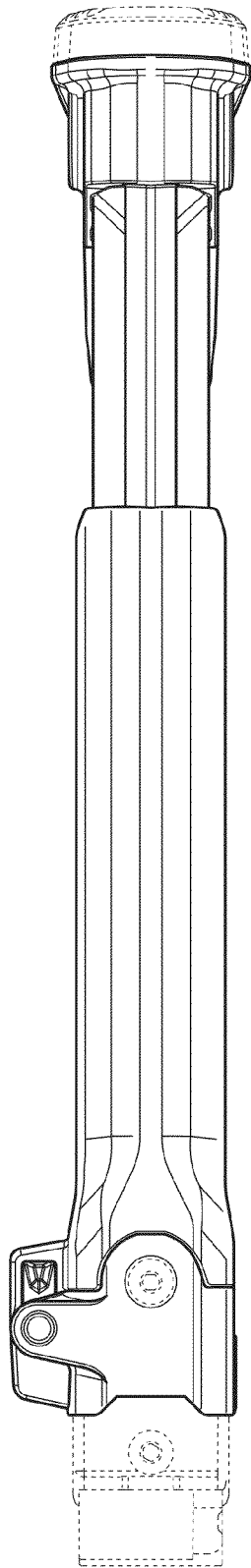


FIG. 8

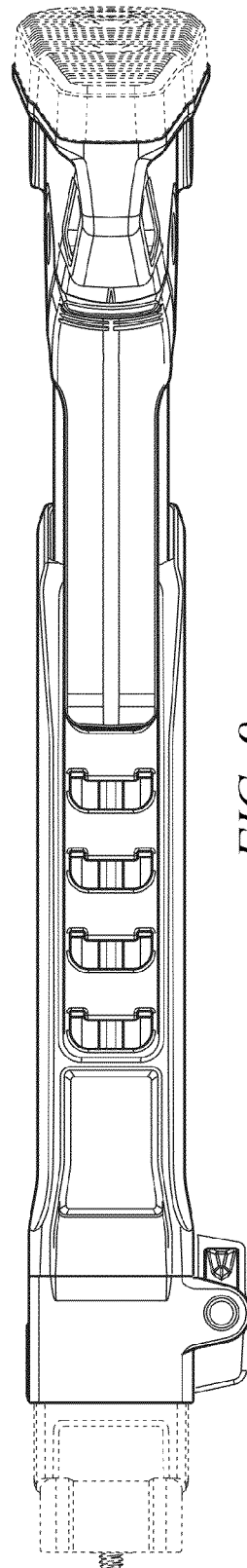


FIG. 9

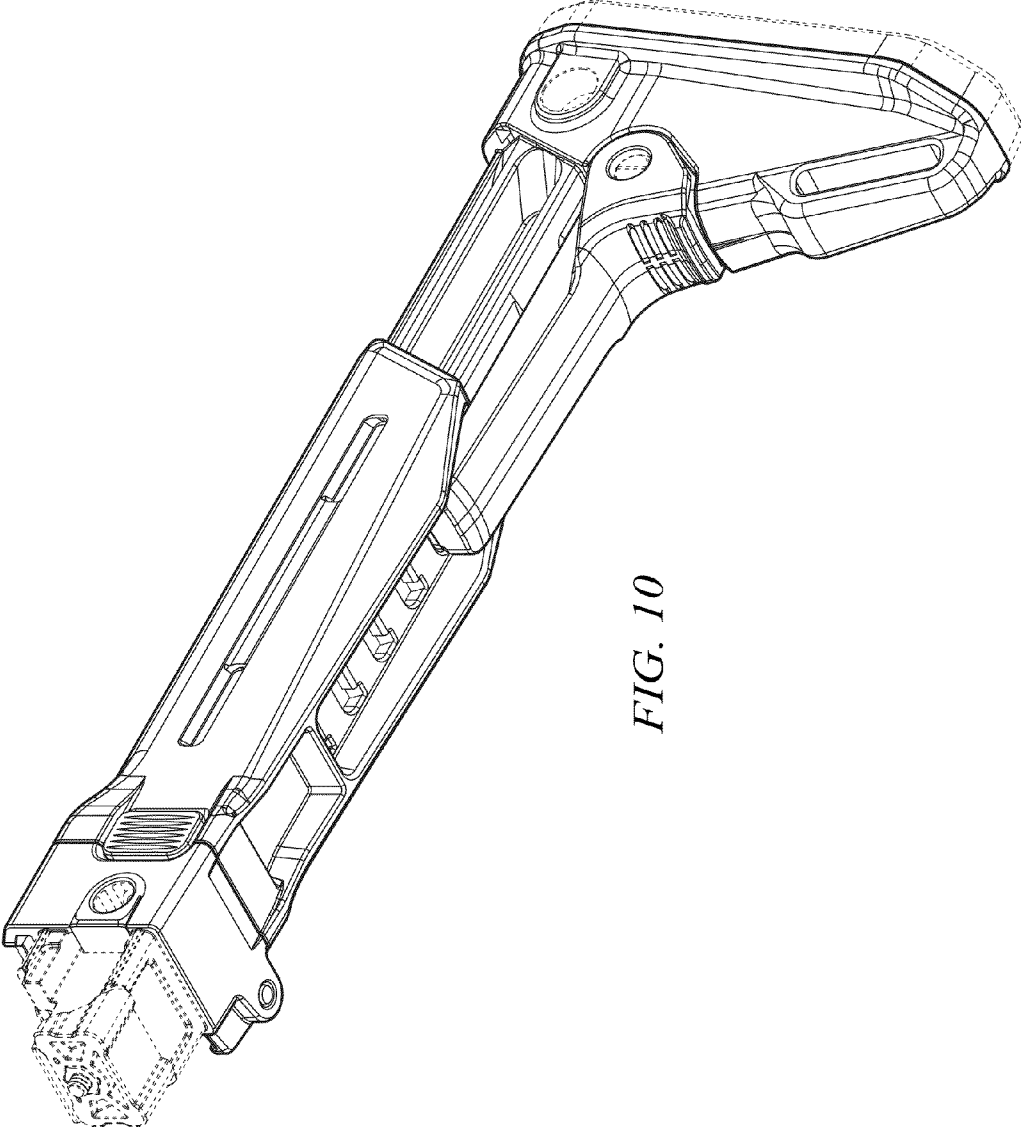


FIG. 10

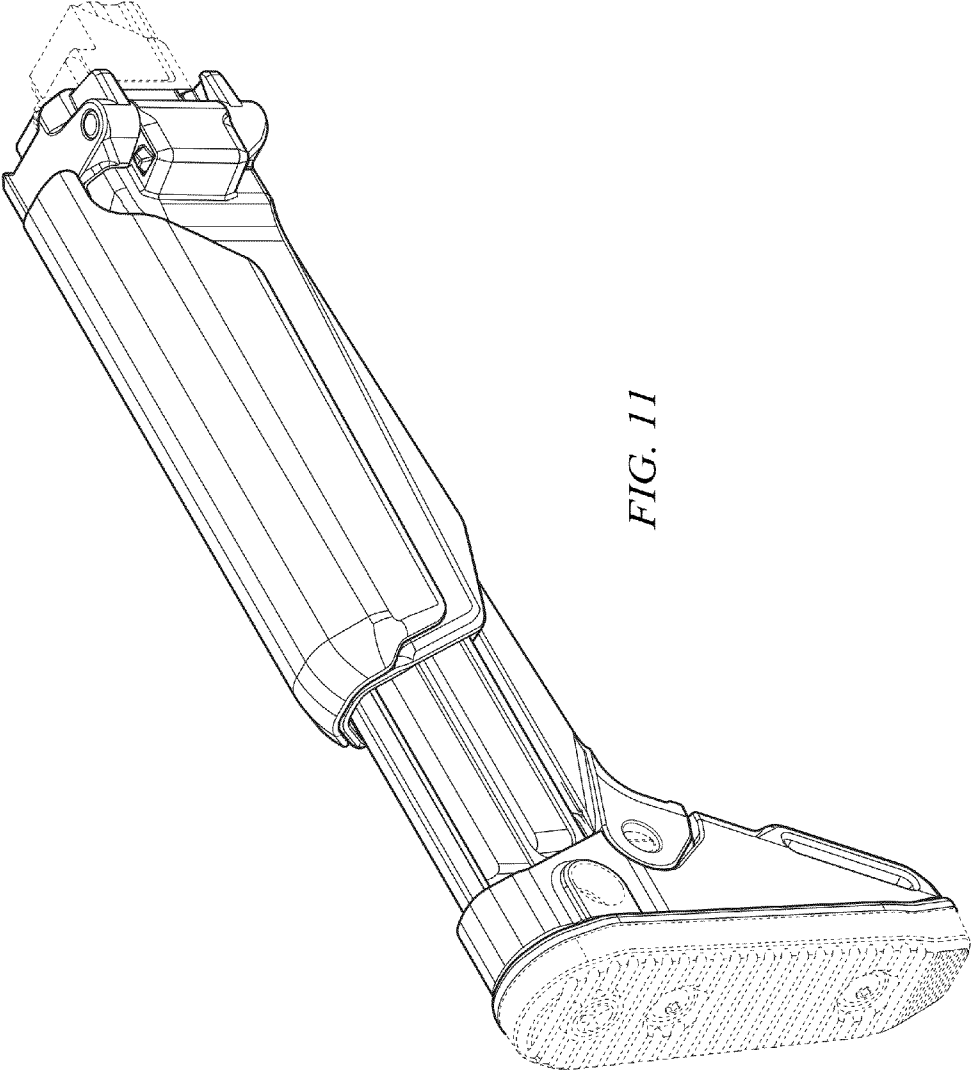


FIG. 11

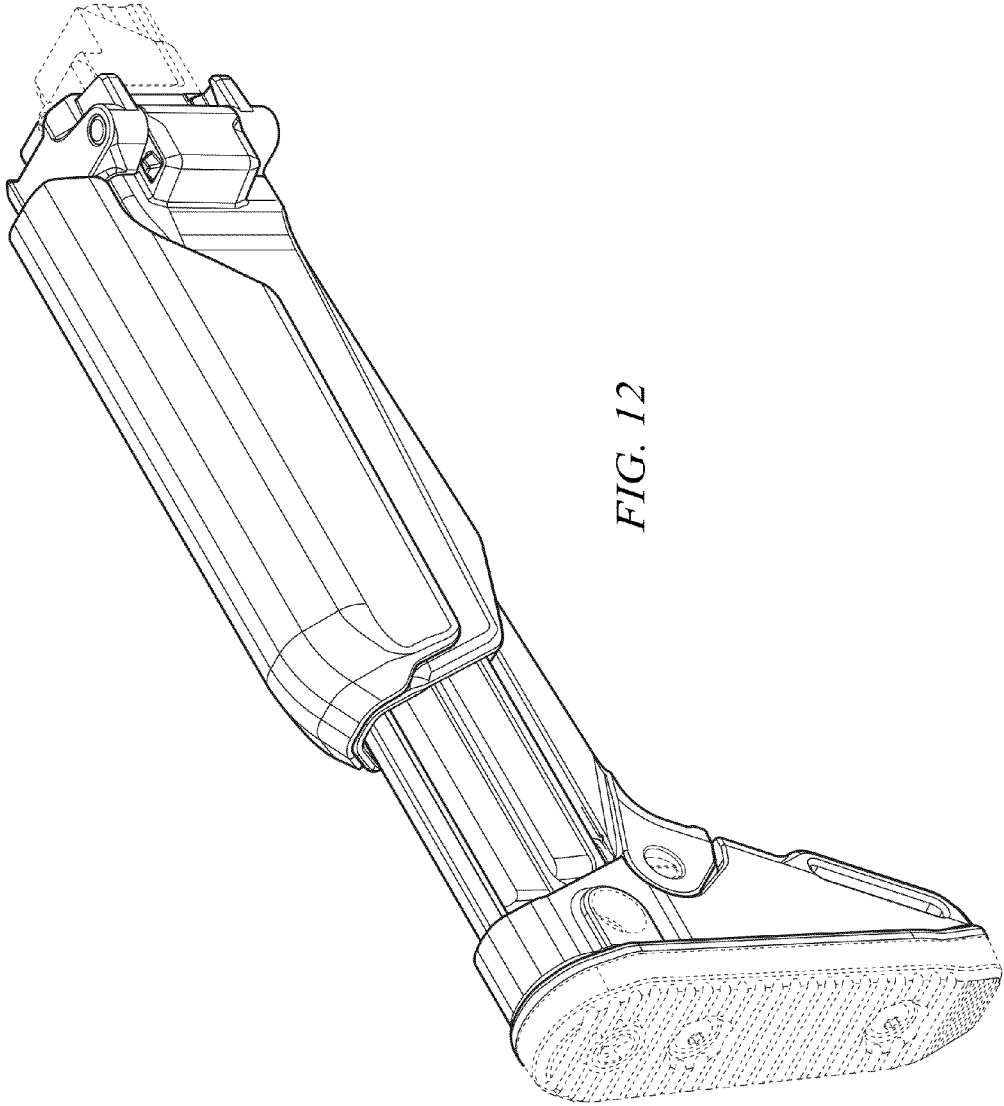


FIG. 12

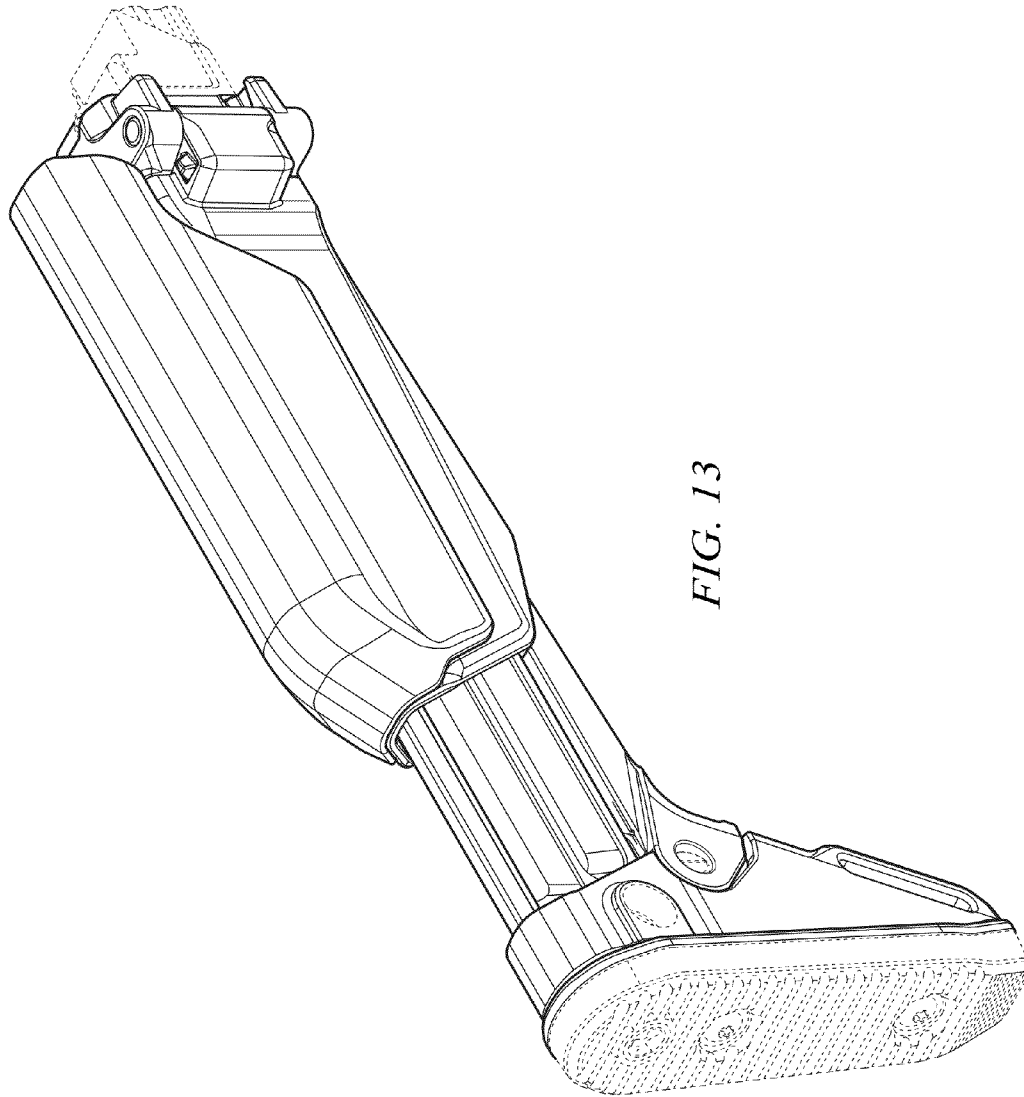


FIG. 13