

(19) World Intellectual Property Organization
International Bureau



(43) International Publication Date
2 July 2009 (02.07.2009)

(10) International Publication Number
WO 2009/081405 A3

- (51) International Patent Classification:
C12Q 1/00 (2006.01) *A61B 5/151* (2006.01)
- (21) International Application Number:
PCT/IL2008/001669
- (22) International Filing Date:
25 December 2008 (25.12.2008)
- (25) Filing Language: English
- (26) Publication Language: English
- (30) Priority Data:
61/016,580 25 December 2007 (25.12.2007) US
61/018,901 4 January 2008 (04.01.2008) US
- (71) Applicant (for all designated States except US):
RAPIDX LTD. [IL/IL]; 27 Habarzel Street, Tel Aviv
69710 (IL).
- (72) Inventor; and
- (75) Inventor/Applicant (for US only): **TAMIR, Nili** [IL/IL];
POB 420, Zihron Yaacov 30900 (IL).
- (74) Agent: **LIFSHITZ, Susan**; PO Box 45376, Jerusalem
91451 (IL).
- (81) Designated States (unless otherwise indicated, for every
kind of national protection available): AE, AG, AL, AM,

AO, AT, AU, AZ, BA, BB, BG, BH, BR, BW, BY, BZ,
CA, CH, CN, CO, CR, CU, CZ, DE, DK, DM, DO, DZ,
EC, EE, EG, ES, FI, GB, GD, GE, GH, GM, GT, HN,
HR, HU, ID, IL, IN, IS, JP, KE, KG, KM, KN, KP, KR,
KZ, LA, LC, LK, LR, LS, LT, LU, LY, MA, MD, ME,
MG, MK, MN, MW, MX, MY, MZ, NA, NG, NI, NO,
NZ, OM, PG, PH, PL, PT, RO, RS, RU, SC, SD, SE, SG,
SK, SL, SM, ST, SV, SY, TJ, TM, TN, TR, TT, TZ, UA,
UG, US, UZ, VC, VN, ZA, ZM, ZW.

(84) Designated States (unless otherwise indicated, for every
kind of regional protection available): ARIPO (BW, GH,
GM, KE, LS, MW, MZ, NA, SD, SL, SZ, TZ, UG, ZM,
ZW), Eurasian (AM, AZ, BY, KG, KZ, MD, RU, TJ,
TM), European (AT, BE, BG, CH, CY, CZ, DE, DK, EE,
ES, FI, FR, GB, GR, HR, HU, IE, IS, IT, LT, LU, LV,
MC, MT, NL, NO, PL, PT, RO, SE, SI, SK, TR), OAPI
(BF, BJ, CF, CG, CI, CM, GA, GN, GQ, GW, ML, MR,
NE, SN, TD, TG).

Published:

— with international search report (Art. 21(3))

(88) Date of publication of the international search report:
11 March 2010

(54) Title: DEVICES AND METHODS FOR REDUCED-PAIN BLOOD SAMPLING

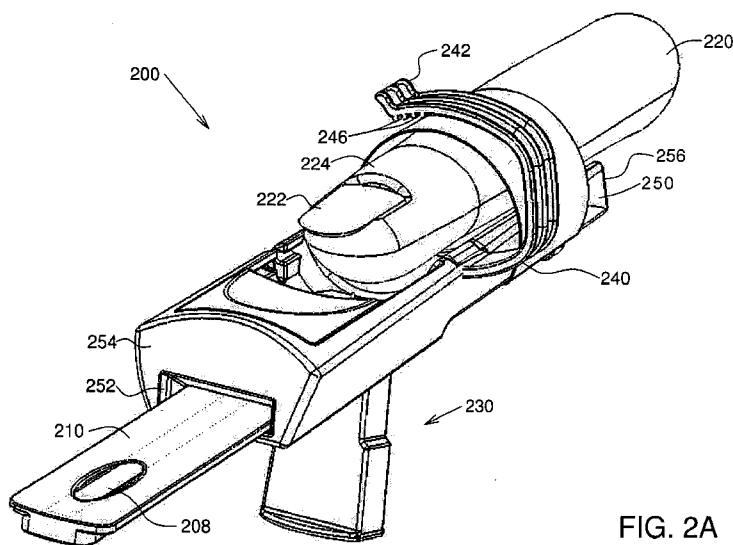


FIG. 2A

(57) Abstract: Systems, methods and devices are provided for invasive reduced-pain blood sampling and testing, the devices including, a horizontally-disposed finger support element configured to support the finger thereupon, a finger holding element adapted, in a closed position, to radially grip the finger on said support element near to a tip thereof and configured to force blood into said tip, a lancet housing element disposed vertically underneath the finger support element for piercing the finger tip with a lancet while said finger tip is gripped by said finger holding element and supported by said finger support element; and a test strip conveying element adapted to be received by the finger support element after retraction of the lancet housing element thereby bringing a test strip into direct contact with a predetermined volume of blood from said finger support element thereby effecting a blood test.



WO 2009/081405 A3

INTERNATIONAL SEARCH REPORT

International application No.

PCT/IL 08/01669

A. CLASSIFICATION OF SUBJECT MATTER

IPC(8) - C12Q 1/00; A61B 5/151 (2009.01)

USPC - 600/583, 606/181, 435/4

According to International Patent Classification (IPC) or to both national classification and IPC

B. FIELDS SEARCHED

Minimum documentation searched (classification system followed by classification symbols)

IPC(8): C12Q 1/00; A61B 5/151 (2009.01)

USPC: 600/583, 606/181, 435/4

Documentation searched other than minimum documentation to the extent that such documents are included in the fields searched

USPC: 600/583, 573, 300, 606/181

Electronic data base consulted during the international search (name of data base and, where practicable, search terms used)

Electronic Databases Searched: PubWEST; Google; Google Scholar;

Search Terms Used: finger, glucose, monitor\$, ring, shape\$, blood, sampl\$, test strip, lancet, collect\$, grip, fluid\$, immobiliz\$, holder\$

C. DOCUMENTS CONSIDERED TO BE RELEVANT

Category*	Citation of document, with indication, where appropriate, of the relevant passages	Relevant to claim No.
Y	US 2005/0234486 A1 (Allen et al.) 20 October 2005 (20.10.2005); para[0032],[0036], [0044], [0060], [0063], [0077], [0080]; Figs. 4, 8A, 10, 11	1-23
Y	US 2007/0088377 A1 (LeVaughn et al.) 19 April 2007 (19.04.2007); para[0007], [0010], [0043], [0121]	1-23
Y	US 6,278,889 B1 (Robinson) 21 August 2001 (21.08.2001); col 1, ln 12-18; col 14, ln 7-27; col 16, ln 35-62; col 20, ln 22-47; Fig. 14	12-18

 Further documents are listed in the continuation of Box C.

* Special categories of cited documents:

"A" document defining the general state of the art which is not considered to be of particular relevance

"E" earlier application or patent but published on or after the international filing date

"L" document which may throw doubts on priority claim(s) or which is cited to establish the publication date of another citation or other special reason (as specified)

"O" document referring to an oral disclosure, use, exhibition or other means

"P" document published prior to the international filing date but later than the priority date claimed

"T" later document published after the international filing date or priority date and not in conflict with the application but cited to understand the principle or theory underlying the invention

"X" document of particular relevance; the claimed invention cannot be considered novel or cannot be considered to involve an inventive step when the document is taken alone

"Y" document of particular relevance; the claimed invention cannot be considered to involve an inventive step when the document is combined with one or more other such documents, such combination being obvious to a person skilled in the art

"&" document member of the same patent family

Date of the actual completion of the international search

14 April 2009 (14.04.2009)

Date of mailing of the international search report

24 APR 2009

Name and mailing address of the ISA/US

Mail Stop PCT, Attn: ISA/US, Commissioner for Patents

P.O. Box 1450, Alexandria, Virginia 22313-1450

Facsimile No. 571-273-3201

Authorized officer:

Lee W. Young

PCT Helpdesk: 571-272-4300

PCT OSP: 571-272-7774